

# INDEX



## 1. HANDLE

1.a	HOLLOW LEVER HANDLE	01-06
1.b	WINDOW HANDLE	07-08
1.c	CASTING LEVER HANDLE	09-16
1.d	SECURITY & DISABLE HANDLE	17-24
1.e	THUMB TURN INDICATOR	25-26
1.f	ROSETTE & ESCUTCHEON OPTION	27-30
1.g	ZINC ALLOY LEVER HANDLE	31-32
1.h	PULL HANDLE	33-41

## 2. LOCK SYSTEM

2.a	LOCKCASE	42-65
2.b	CYLINDER	67-70

## 3. SLIDING DOOR FITTING

3.a	SLIDING DOOR FITTING	71-74
-----	----------------------	-------

## 4. TOILET CUBICLE

4.a	TOILET CUBICLE	75-82
-----	----------------	-------

## 5. DOOR HINGE

5.a	ANSI HINGE	83-85
5.b	EN HINGE	86-88
5.c	SPRING HINGE	89-90
5.d	ZINC ALLOY CONCEAL HINGE	91
5.e	GERMAN-STYLE ADJUSTABLE HINGE	92
5.f	DOOR PIVOT	93-94

## 6. DOOR ACCESSORIES

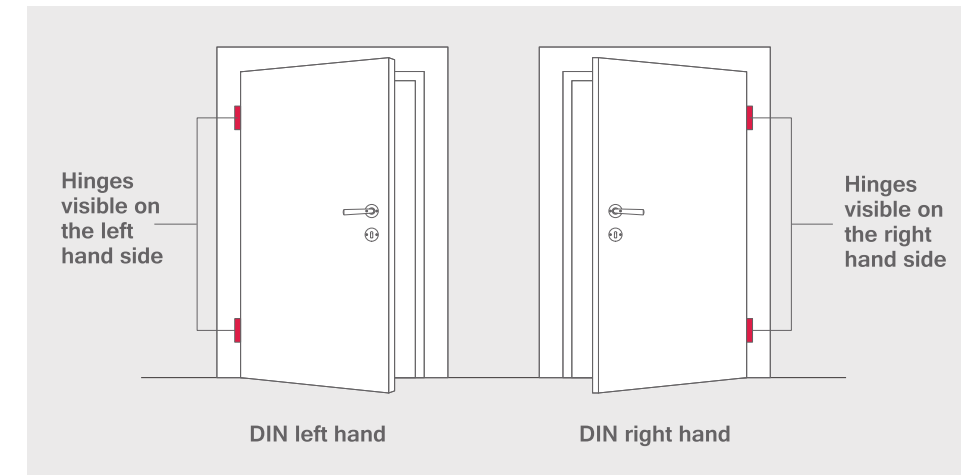
6.a	SYMBOL&PUSH PLATE	95-96
6.b	DOOR CHAIN/DOOR STOP/DOOR HOLDER	97-104
6.c	FLUSH RING PULL HANDLE/DOOR COORDINATOR	105-106
6.d	FLUSH BOLT/DOOR VIEWER	107-110
6.e	FLUSH HANDLE	111-112
6.f	DOOR HOOK	113-116

Door direction – left or right

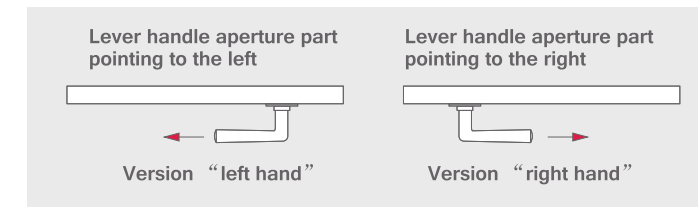
The door direction (left/right) according to DIN 107 is determined as follows:

Visible position of the door hinges on the left: **(DIN) left**

Visible position of the door hinges on the right: **(DIN) right**



Lever handle direction



When selecting alternate sets with asymmetrical handles a distinction to the right/left is required. It is therefore necessary to observe the particular door direction.

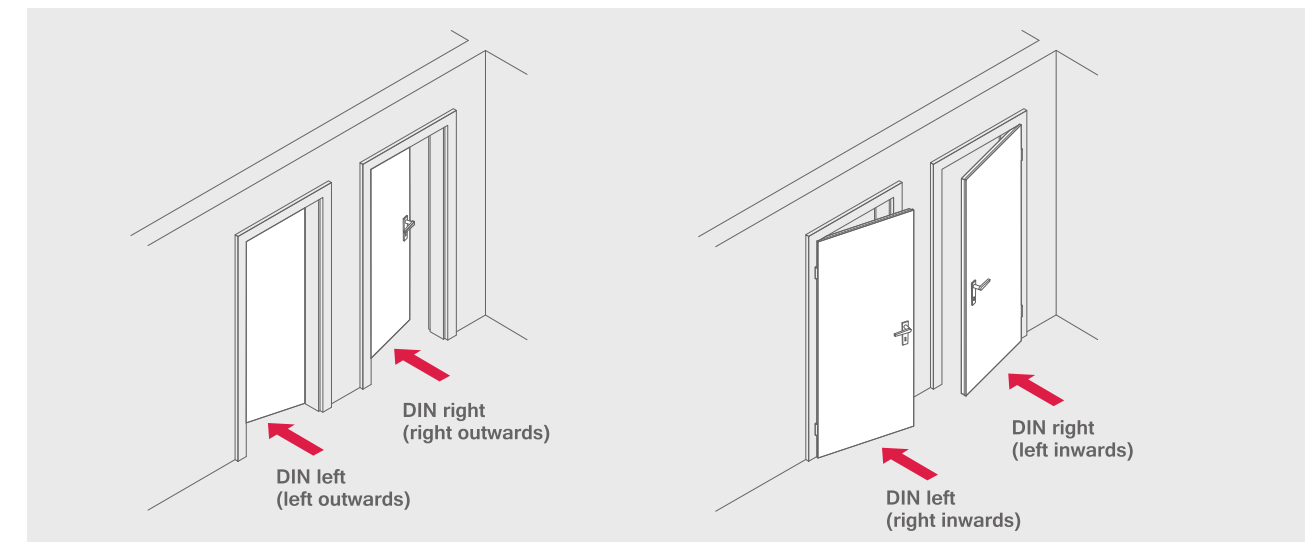
Examples of asymmetrical lever handles



Examples of symmetrical lever handles

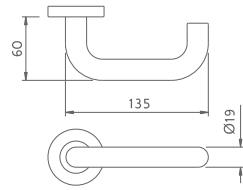


Opening direction

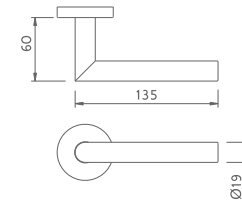


CIG.LH.111

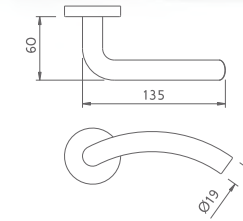
EN1906  
37-0040B



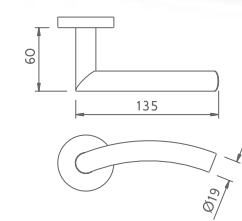
CIG.LH.112



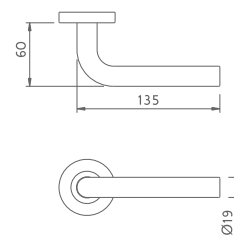
CIG.LH.117



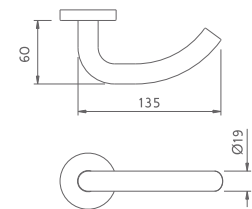
CIG.LH.118



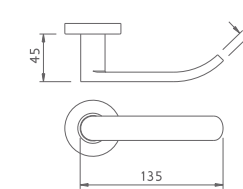
CIG.LH.113



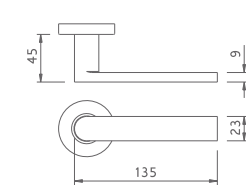
CIG.LH.114



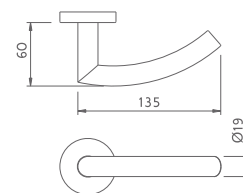
CIG.LH.119



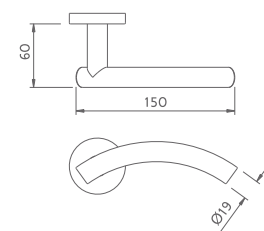
CIG.LH.120



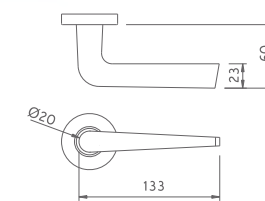
CIG.LH.115



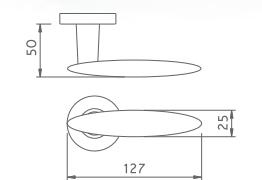
CIG.LH.116



CIG.LH.121



CIG.LH.122



Material: handle-Stainless steel  
handle insert-Stainless steel,brass,aluminium  
Finish: SSS/PSS/PVD/AB  
Optional version:



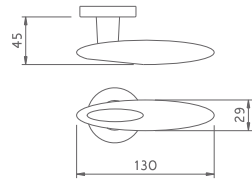
Accessories:  
>plate ..... P17-24  
>rosette ..... P27-31  
>lockcase ..... P42-65  
>cylinder ..... P67-70

Material: handle-Stainless steel  
handle insert-Stainless steel,brass,aluminium  
Finish: SSS/PSS/PVD/AB  
Optional version:

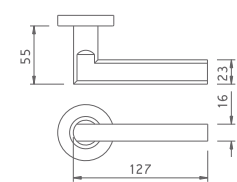


Accessories:  
>plate ..... P17-24  
>rosette ..... P27-31  
>lockcase ..... P42-65  
>cylinder ..... P67-70

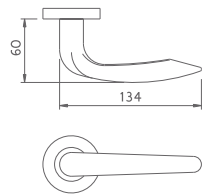
CIG.LH.123



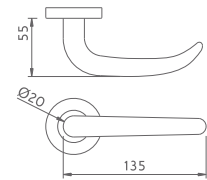
CIG.LH.124



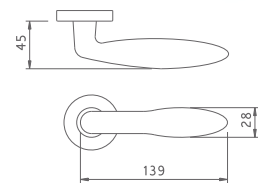
CIG.LH.125



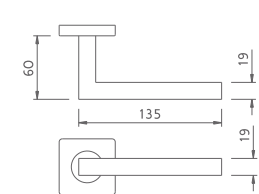
CIG.LH.126



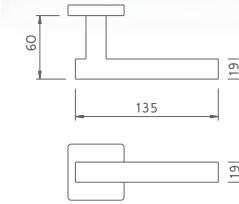
CIG.LH.127



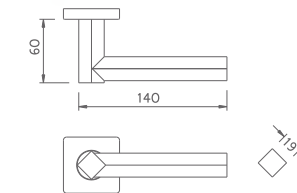
CIG.LH.128



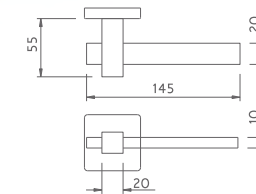
CIG.LH.129



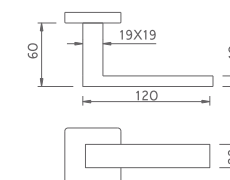
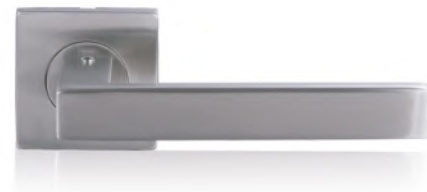
CIG.LH.130



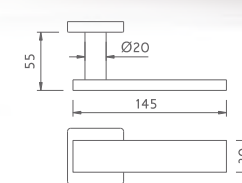
CIG.LH.131



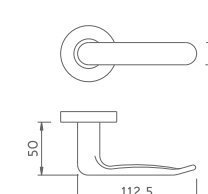
CIG.LH.132



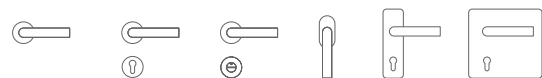
CIG.LH.133



CIG.LH.134



Material: handle-Stainless steel  
 handle insert-Stainless steel,brass,aluminium  
 Finish: SSS/PSS/PVD/AB  
 Optional version:



Accessories:  
 >plate ..... P17-24  
 >rosette ..... P27-31  
 >lockcase ..... P42-65  
 >cylinder ..... P67-70

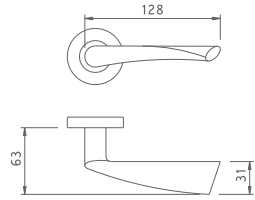
Material: handle-Stainless steel  
 handle insert-Stainless steel,brass,aluminium  
 Finish: SSS/PSS/PVD/AB  
 Optional version:



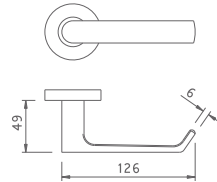
Accessories:  
 >plate ..... P17-24  
 >rosette ..... P27-31  
 >lockcase ..... P42-65  
 >cylinder ..... P67-70



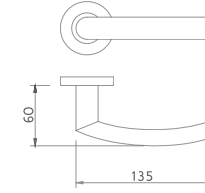
CIG.LH.135



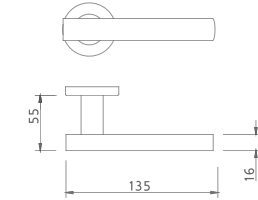
CIG.LH.136



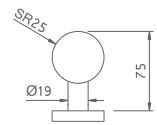
CIG.LH.141



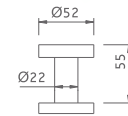
CIG.LH.142



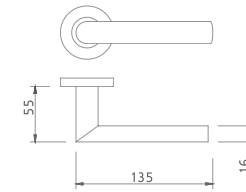
CIG.LH.137



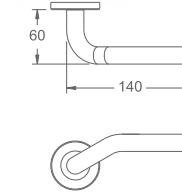
CIG.LH.138



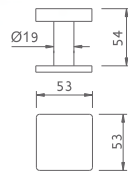
CIG.LH.143



CIG.LH.144



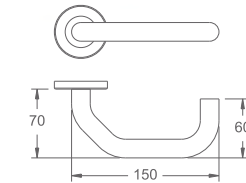
CIG.LH.139



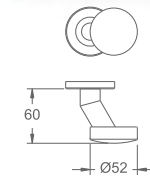
CIG.LH.140



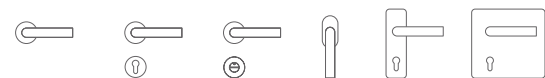
CIG.LH.145



CIG.LH.146



Material: handle-Stainless steel  
handle insert-Stainless steel,brass,aluminium  
Finish: SSS/PSS/PVD/AB  
Optional version:



Accessories:  
>plate ..... P17-24  
>rosette ..... P27-31  
>lockcase ..... P42-65  
>cylinder ..... P67-70

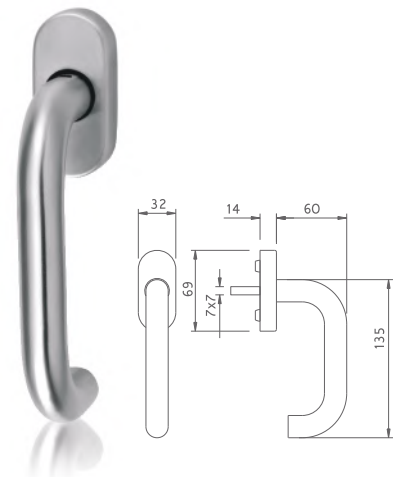
Material: handle-Stainless steel  
handle insert-Stainless steel,brass,aluminium  
Finish: SSS/PSS/PVD/AB  
Optional version:



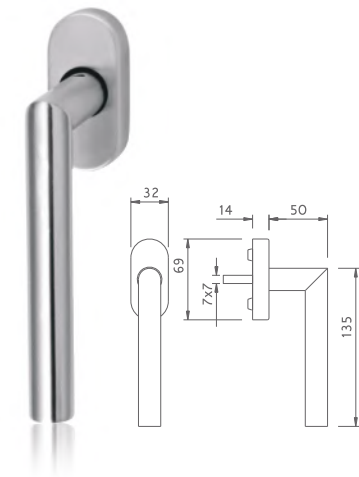
Accessories:  
>plate ..... P17-24  
>rosette ..... P27-31  
>lockcase ..... P42-65  
>cylinder ..... P67-70



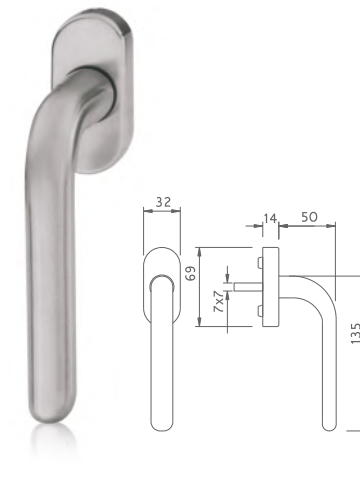
CIG.WH.101



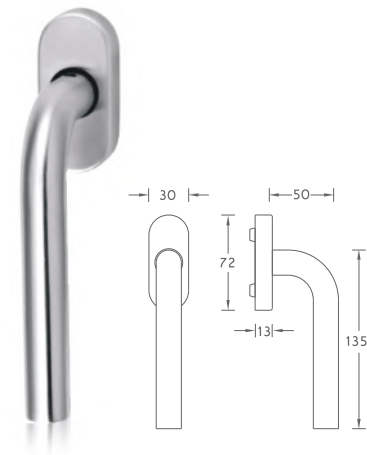
CIG.WH.102



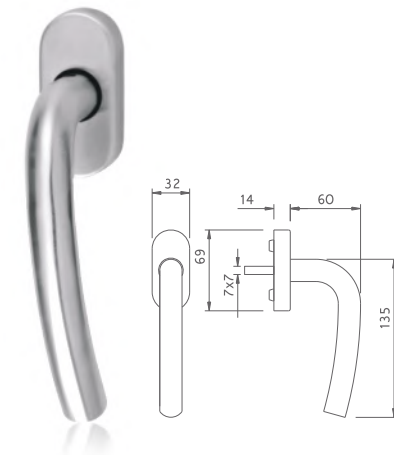
CIG.WH.103



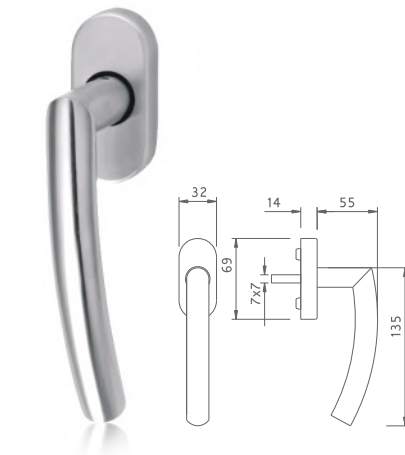
CIG.WH.104



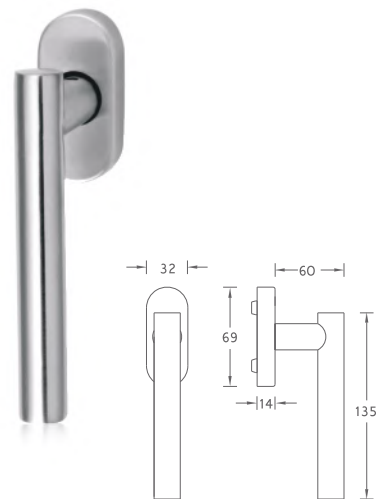
CIG.WH.105



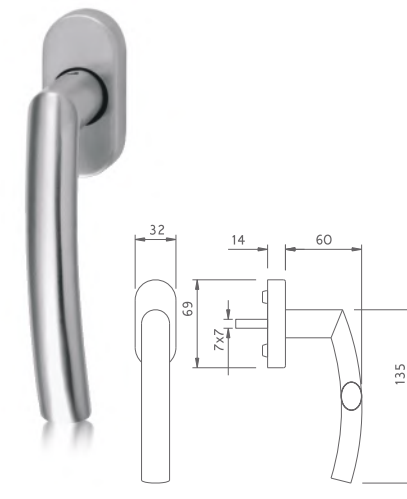
CIG.WH.106



CIG.WH.107



CIG.WH.108



CIG.WH.109



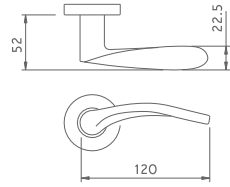
Material: stainless steel  
Spindle: 7x7mm  
Finish: SSS

Accessories:  
>plate ..... P17-24  
>rosette ..... P27-31

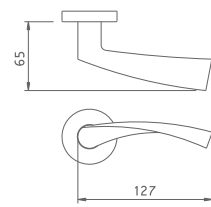




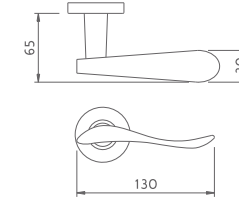
CIG.CLH.101



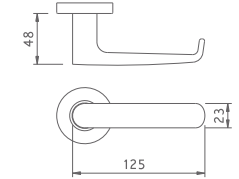
CIG.CLH.102



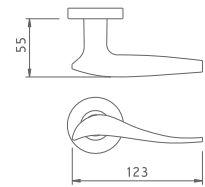
CIG.CLH.107



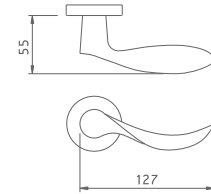
CIG.CLH.108



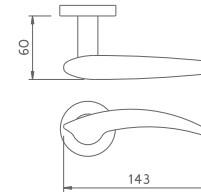
CIG.CLH.103



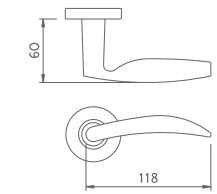
CIG.CLH.104



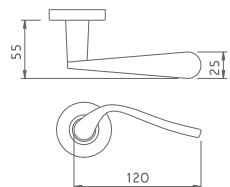
CIG.CLH.109



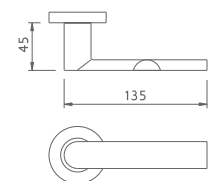
CIG.CLH.110



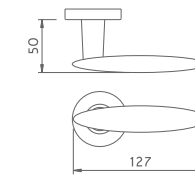
CIG.CLH.105



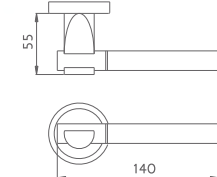
CIG.CLH.106



CIG.CLH.111



CIG.CLH.112



Material: handle-Stainless steel  
 handle inset-Stainless steel,brass  
 Finish: SSS/PSS/PVD/AB  
 Optional version:



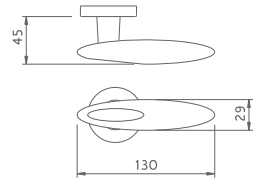
- Accessories:
- >plate ..... P17-24
  - >rosette ..... P27-31
  - >lockcase ..... P42-65
  - >cylinder ..... P67-70

Material: handle-Stainless steel  
 handle inset-Stainless steel,brass  
 Finish: SSS/PSS/PVD/AB  
 Optional version:

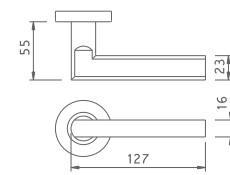


- Accessories:
- >plate ..... P17-24
  - >rosette ..... P27-31
  - >lockcase ..... P42-65
  - >cylinder ..... P67-70

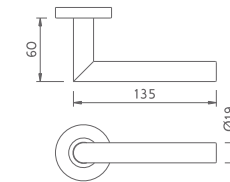
CIG.CLH.113



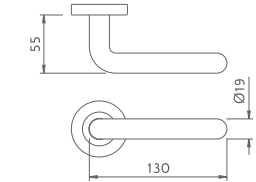
CIG.CLH.114



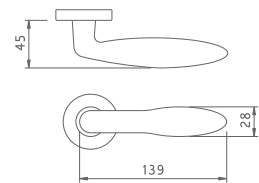
CIG.CLH.118



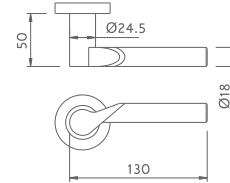
CIG.CLH.119



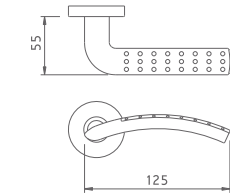
CIG.CLH.115



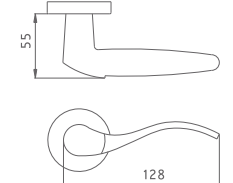
CIG.CLH.116



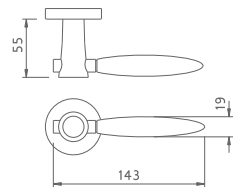
CIG.CLH.119



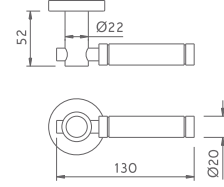
CIG.CLH.120



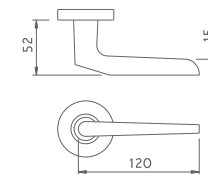
CIG.CLH.117



CIG.CLH.117



CIG.CLH.121



CIG.CLH.122



Material: handle-Stainless steel  
handle inset-Stainless steel,brass  
Finish: SSS/PSS/PVD/AB  
Optional version:



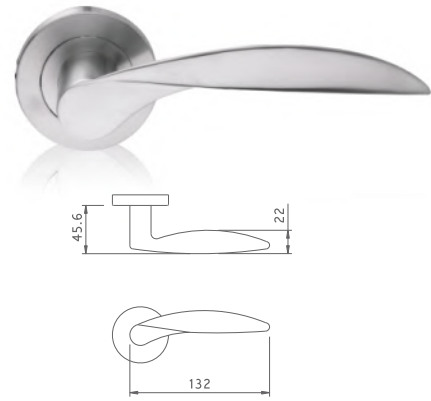
- Accessories:
- >plate ..... P17-24
  - >rosette ..... P27-31
  - >lockcase ..... P42-65
  - >cylinder ..... P67-70

Material: handle-Stainless steel  
handle inset-Stainless steel,brass  
Finish: SSS/PSS/PVD/AB  
Optional version:

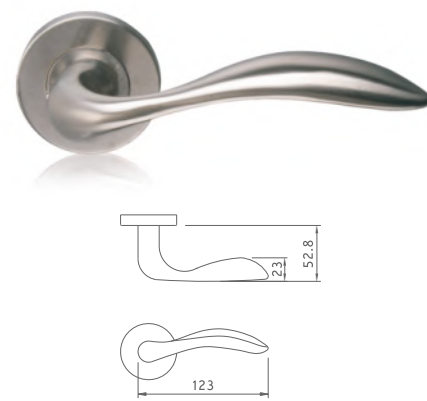


- Accessories:
- >plate ..... P17-24
  - >rosette ..... P27-31
  - >lockcase ..... P42-65
  - >cylinder ..... P67-70

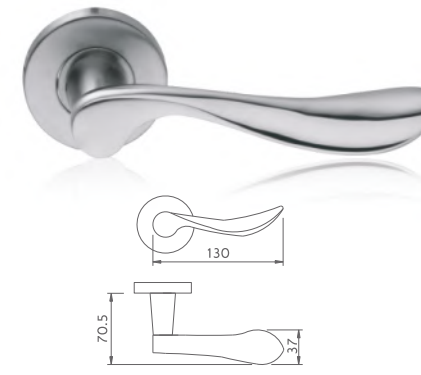
CIG.CLH.123



CIG.CLH.124



CIG.CLH.129



CIG.CLH.130



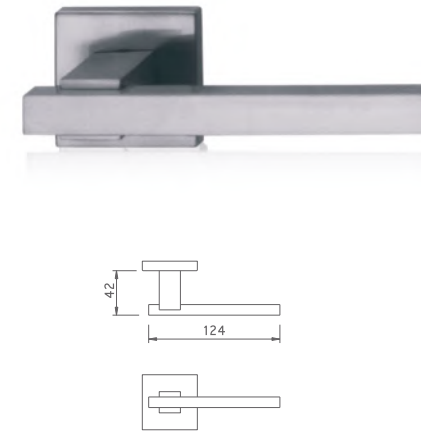
CIG.CLH.125



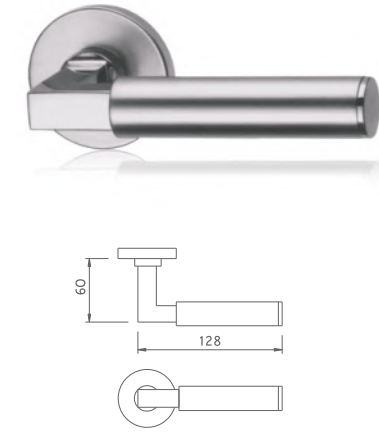
CIG.CLH.126



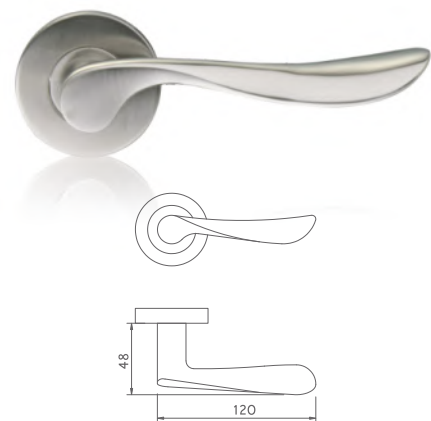
CIG.CLH.131



CIG.CLH.132



CIG.CLH.127



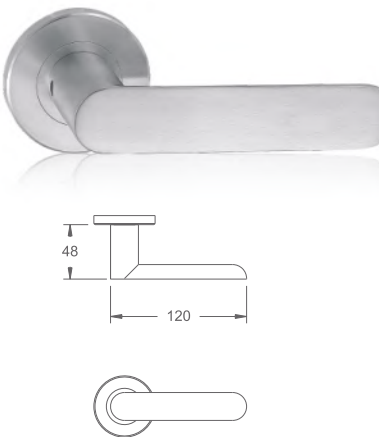
CIG.CLH.128



CIG.CLH.133



CIG.CLH.134



Material: handle-Stainless steel  
handle inset-Stainless steel,brass  
Finish: SSS/PSS/PVD/AB  
Optional version:



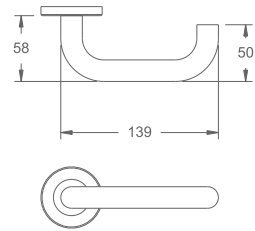
Accessories:  
>plate ..... P17-24  
>rosette ..... P27-31  
>lockcase ..... P42-65  
>cylinder ..... P67-70

Material: handle-Stainless steel  
handle inset-Stainless steel,brass  
Finish: SSS/PSS/PVD/AB  
Optional version:

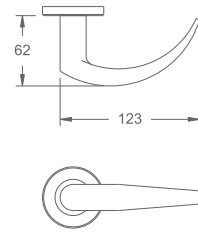


Accessories:  
>plate ..... P17-24  
>rosette ..... P27-31  
>lockcase ..... P42-65  
>cylinder ..... P67-70

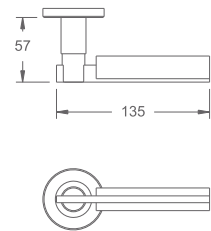
CIG.CLH.135



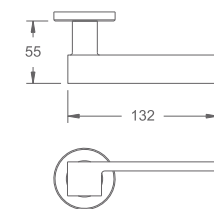
CIG.CLH.136



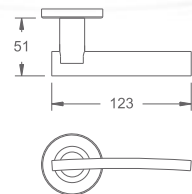
CIG.CLH.137



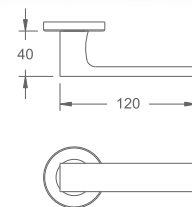
CIG.CLH.138



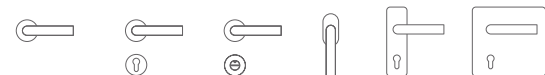
CIG.CLH.139



CIG.CLH.140

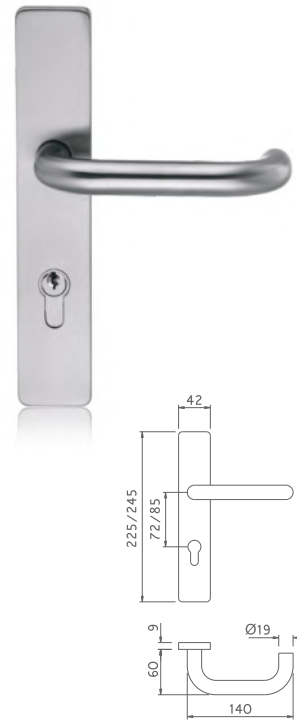


Material: handle-Stainless steel  
 handle inset-Stainless steel,brass  
 Finish: SSS/PSS/PVD/AB  
 Optional version:

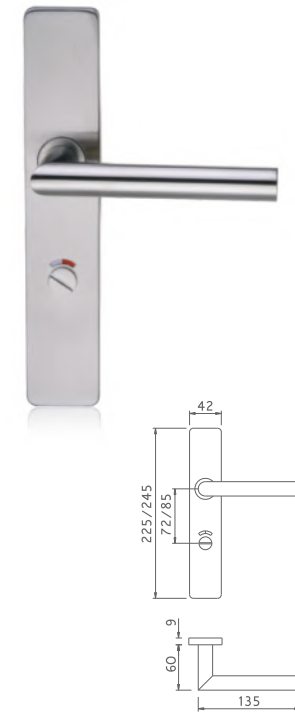


Accessories:  
 >plate ..... P17-24  
 >rosette ..... P27-31  
 >lockcase ..... P42-65  
 >cylinder ..... P67-70

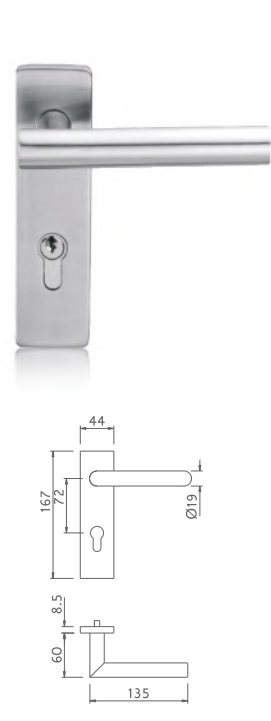
CIG.SH.101



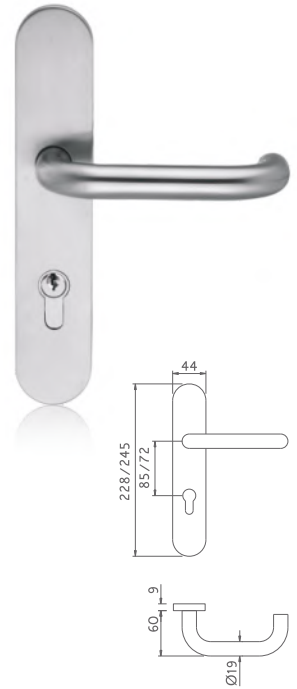
CIG.SH.102



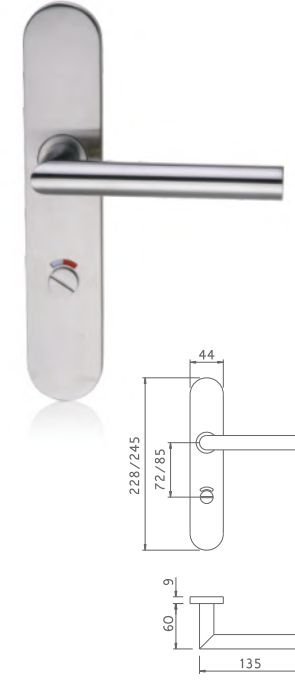
CIG.SH.103



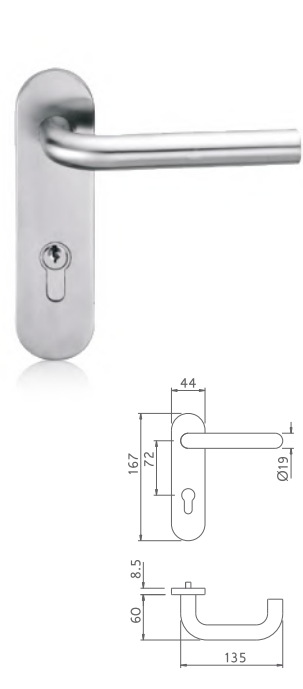
CIG.SH.104



CIG.SH.105



CIG.SH.106



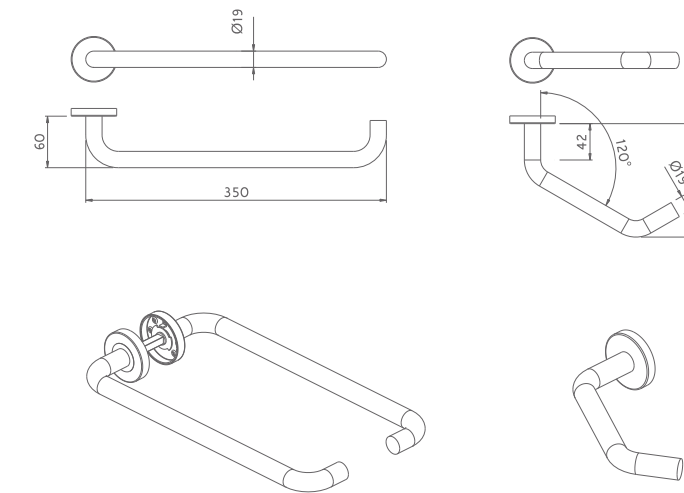
Material: handle-stainless steel  
 handle inset-Stainless steel,brass,aluminium  
 plate-stainless steel  
 centre distance-72mm/85mm  
 Finish: SSS/PSS/PVD/AB

Accessories:  
 >handle ..... P01-16  
 >rosette ..... P27-31  
 >lockcase ..... P42-65  
 >cylinder ..... P67-70

DH001SS  
 DISABLE HANDLE



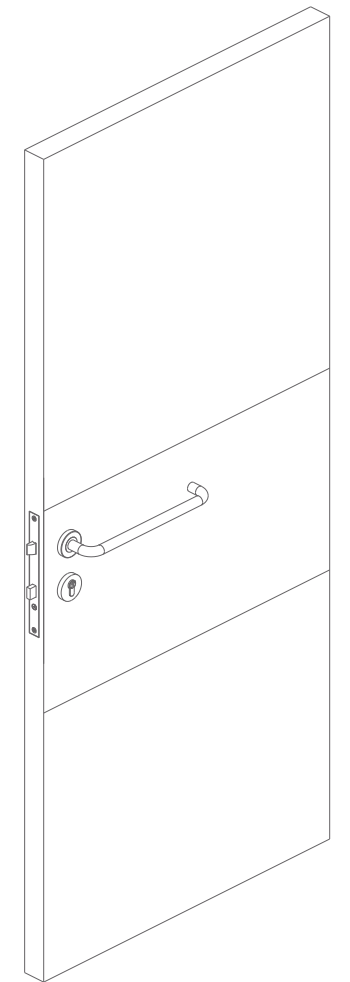
Optional version:



>Application Range: hospitals,warehouses or public areas.  
 >Apply to disabled suitable  
 >Optionally match up with Panic lock or passenger lock  
 >Handle shape and length can be designed accordingly

Material: handle-stainless steel  
 handle inset-Stainless steel  
 Finish: SSS/PSS

Accessories:  
 >handle ..... P01-16  
 >rosette ..... P27-31  
 >lockcase ..... P42-65  
 >cylinder ..... P67-70





Security handle

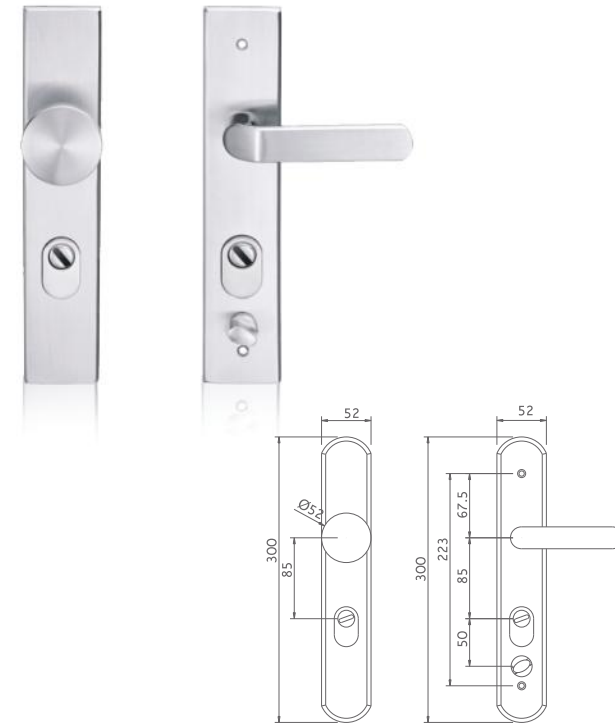
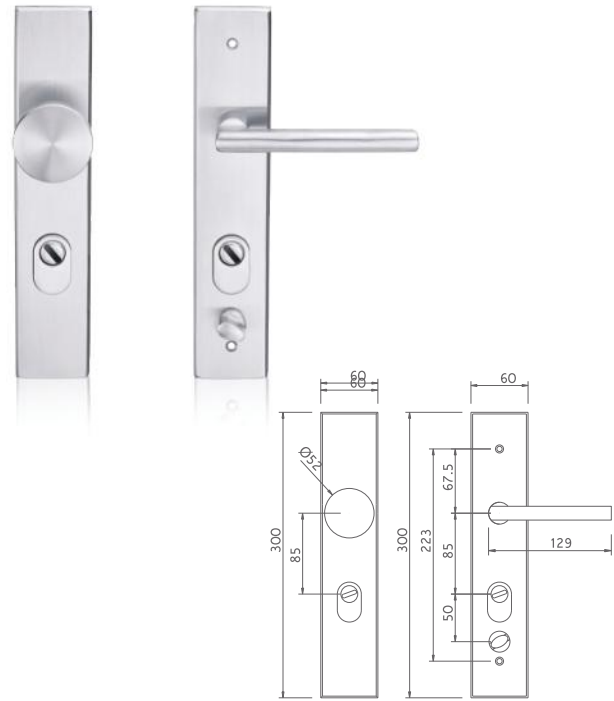
Security handle

CIG.SH.P107 + CIG.SH.P108

CIG.SH.P109 + CIG.SH.P110

CIG.SH.113

CIG.SH.114

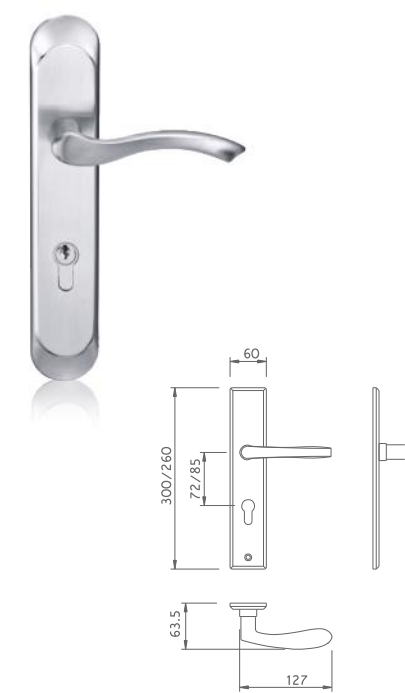
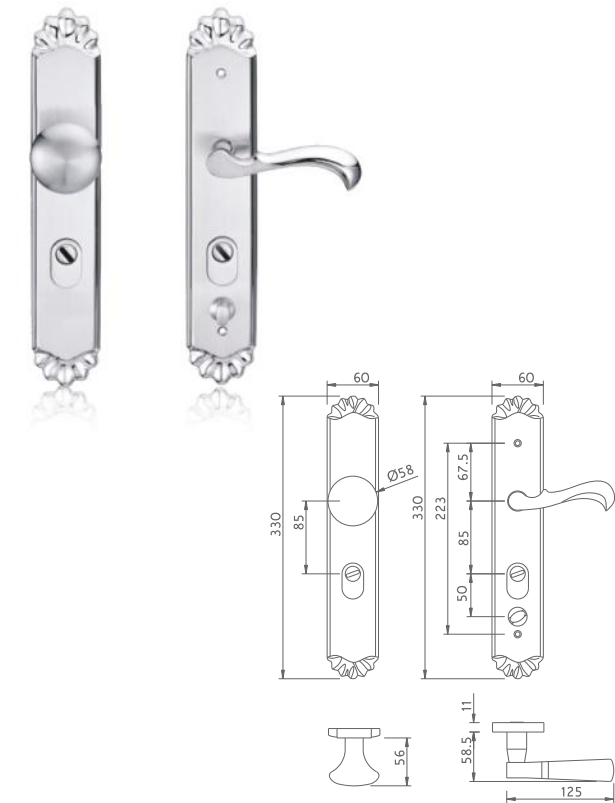
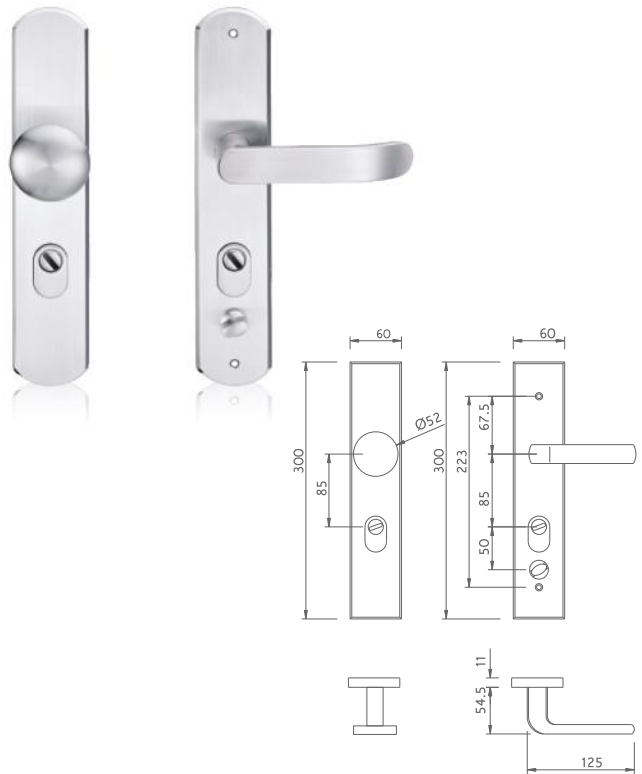


CIG.SH.P111 + CIG.SH.P112

CIG.SH.P111 + CIG.SH.P112

CIG.SH.115

CIG.SH.116



Material: handle-stainless steel  
 panle-stainless steel  
 centre distance-85mm  
 Finish: SSS/PSS/PVD

Accessories:  
 >handle ..... P01-16  
 >lockcase ..... P42-65  
 >cylinder ..... P67-70

Material: handle-stainless steel  
 plate-stainless steel casting  
 centre distance-72mm/85mm  
 Finish: SSS/PSS/PVD

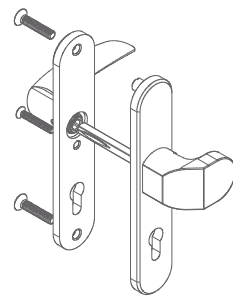
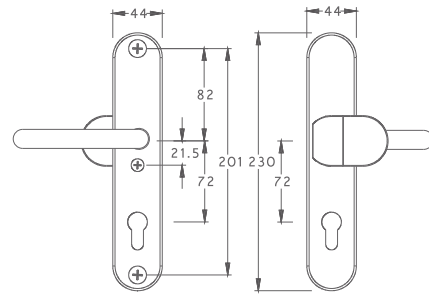
Accessories:  
 >handle ..... P01-16  
 >lockcase ..... P42-65  
 >cylinder ..... P67-70

# HANDLE Security handle

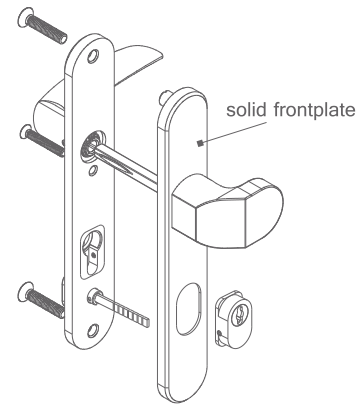
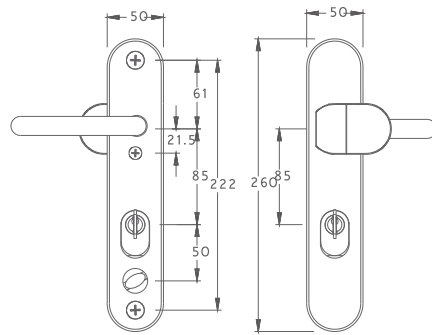
CIG.SH.117  
Security handle



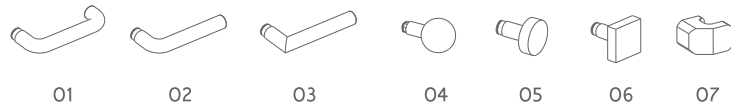
option 1:



option 2:



handle option



- > Full solid/ stamping inner door plate are optional
- > Optional to be used with 6072 fire door lock or 6085 security door lock
- > Available for some special doors in civil air-defense construction, prison, financial industry, high-security facility etc.
- > To prevent broken-opening, drilling, cracking, fire or any man-made damage
- > With plate & handle made in casting structure for superior strongness
- > Optional for master-keyed system
- > Optional for high-class security keys

Material: handle-stainless steel  
 handle inset-Stainless steel,brass  
 panle-stainless steel casting  
 centre distance-72mm/85mm  
 Finish: SSS/PSS/PVD

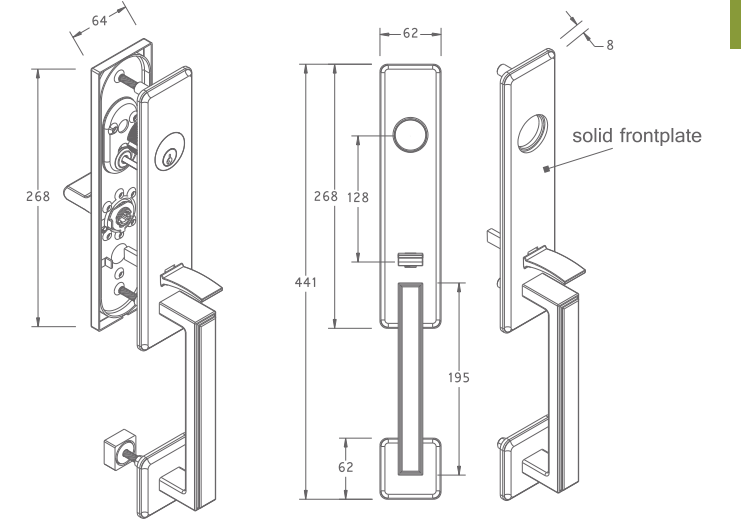
Accessories:  
 >handle ..... P01-16  
 >rosette ..... P27-31  
 >lockcase ..... P42-65  
 >cylinder ..... P67-70

# HANDLE Security handle

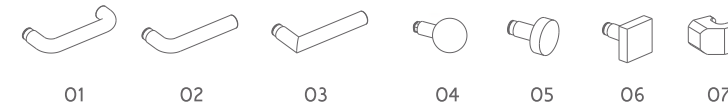
CIG.SH.118  
Security handle



option 1:



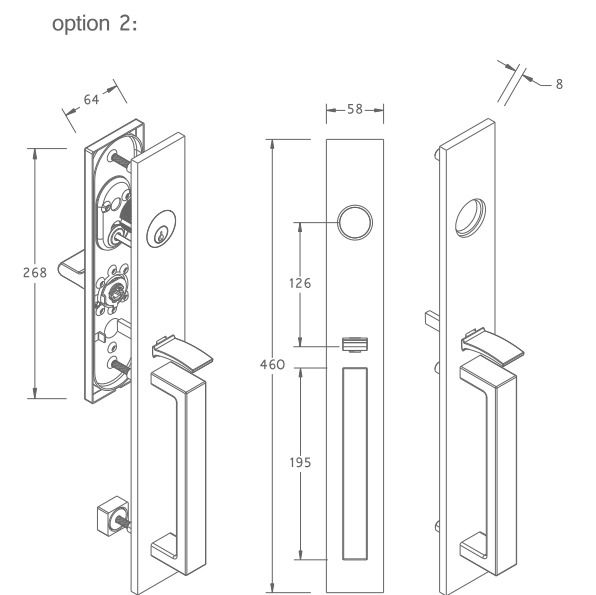
handle option



- > Full solid/ stamping inner door plate are optional
- > Optional to be used with 6072 fire door lock or 6085 security door lock
- > Available for some special doors in civil air-defense construction, prison, financial industry, high-security facility etc.
- > To prevent broken-opening, drilling, cracking, fire or any man-made damage
- > With plate & handle made in casting structure for superior strongness
- > Optional for master-keyed system
- > Optional for high-class security keys

Material: handle-stainless steel  
 handle inset-Stainless steel,brass  
 plate-stainless steel casting  
 centre distance-87mm/85mm  
 Finish: SSS/PSS/PVD

Accessories:  
 >handle ..... P01-16  
 >rosette ..... P27-31  
 >lockcase ..... P42-65  
 >cylinder ..... P67-70



American standard lock



CIG.SH.119



features

available for commercial and industrial security door locks in high class  
 pass ANSI 1-grade 1,000,000 times functional test  
 stainless steel casting bolts, used for escape emergency  
 optional for master-keyed system  
 various functions optional for different cases  
 for door thickness of 40-60mm

functions optional

- full-functional lock 8720
- fire escape lock 8713
- office lock 8704
- classroom lock 8705
- storeroom lock 8707
- privacy lock 8722
- passage lock 8701



Handles options:



802



811



812



813



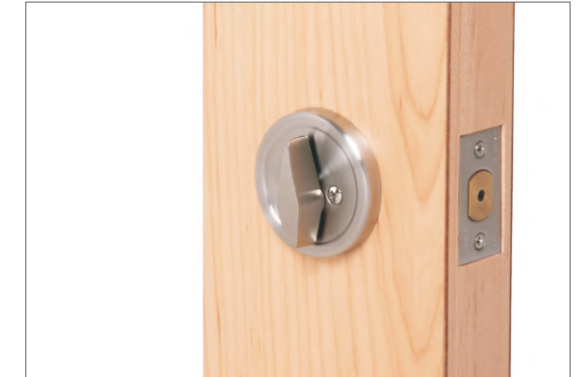
CIG.SH.120

available for standard commercial and industrial doors  
 pass ANSI 12-grade functional test  
 optional for master-keyed system  
 various functions optional for different cases  
 for door thickness of 40-50mm

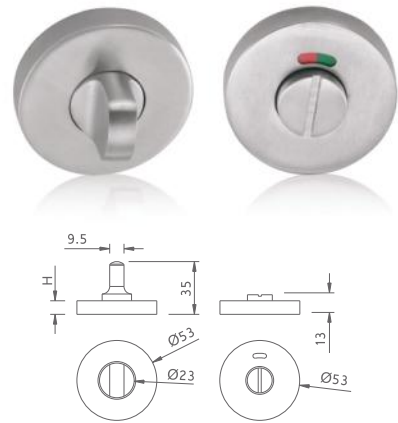


CIG.SH.121

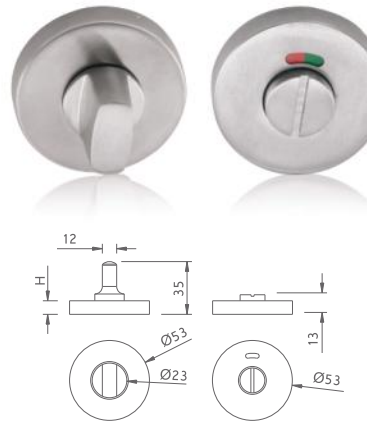
available for standard commercial and industrial doors  
 pass ANSI functional test  
 optional for master-keyed system  
 optional: 1.operated by key either side;  
 2.operated by key outside and thumbturn inside  
 for door thickness of 40-50mm



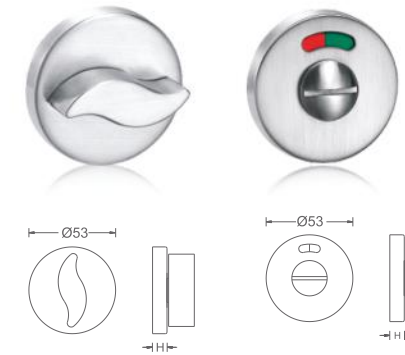
CIG.TT.101SS



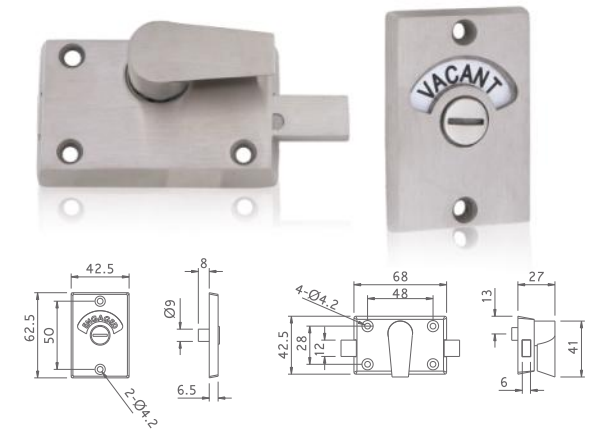
CIG.TT.102SS



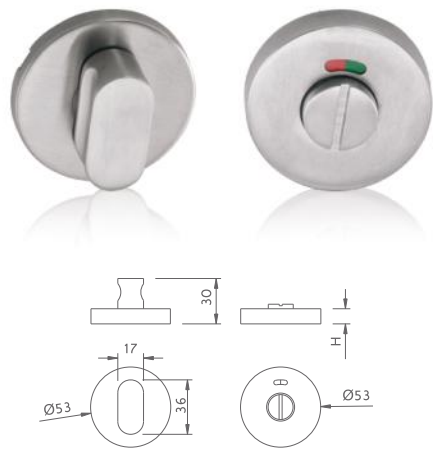
CIG.TT.107SS



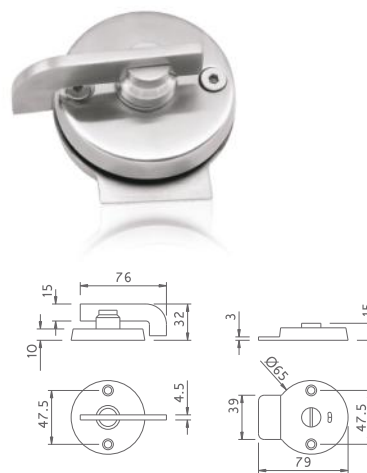
CIG.TT.108SS



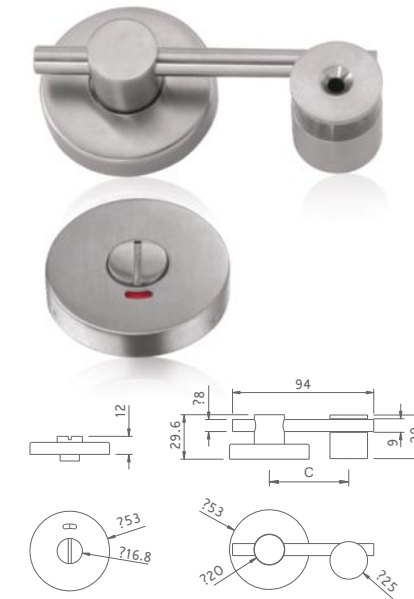
CIG.TT.103SS



CIG.TT.104SS



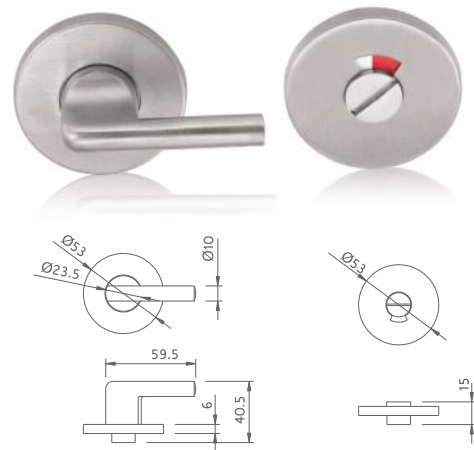
CIG.TT.109SS



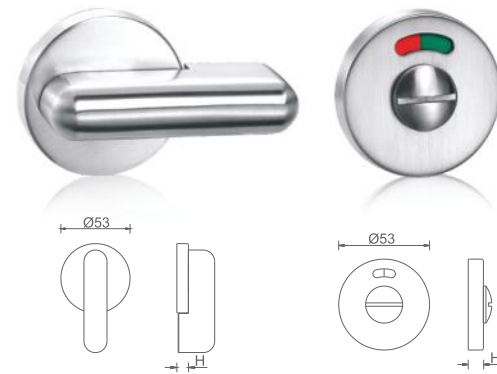
CIG.TT.110SS



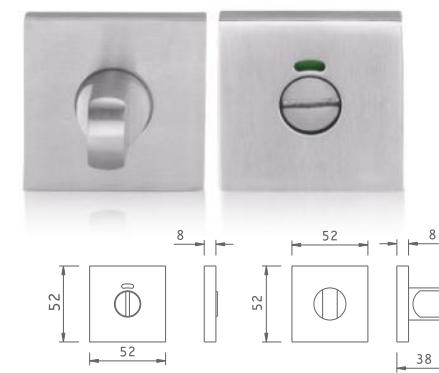
CIG.TT.105SS



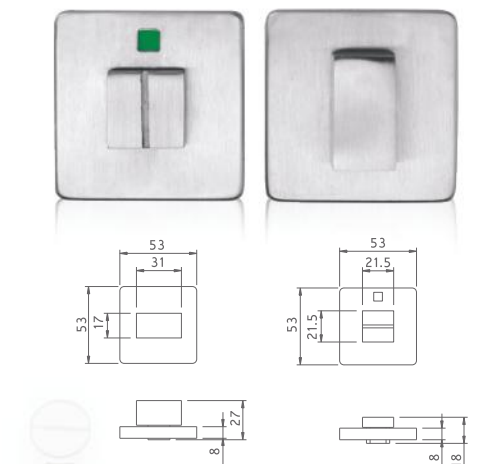
CIG.TT.106SS



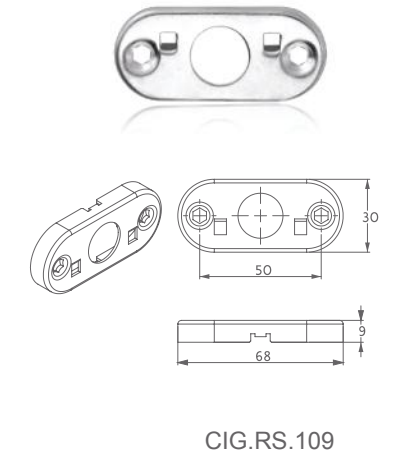
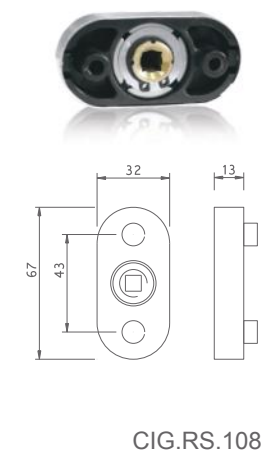
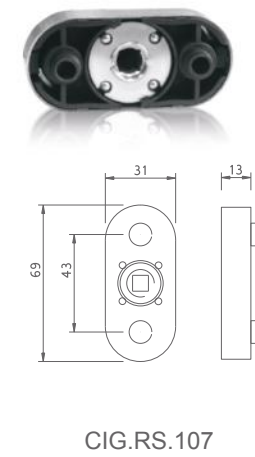
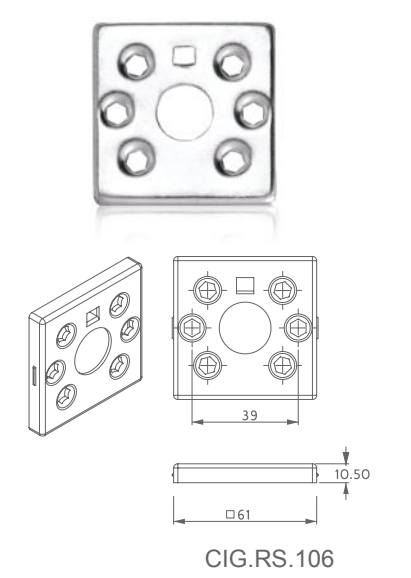
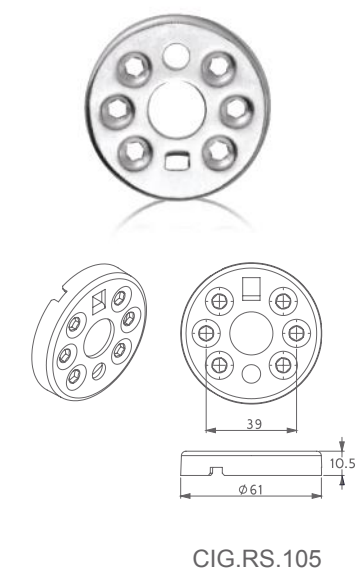
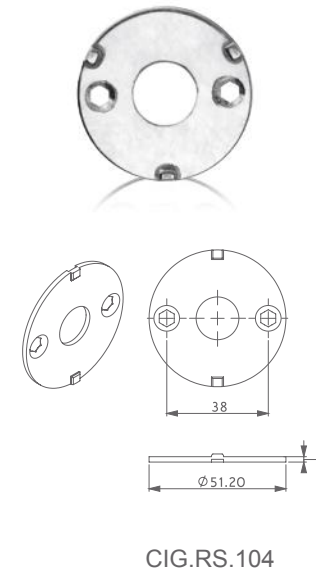
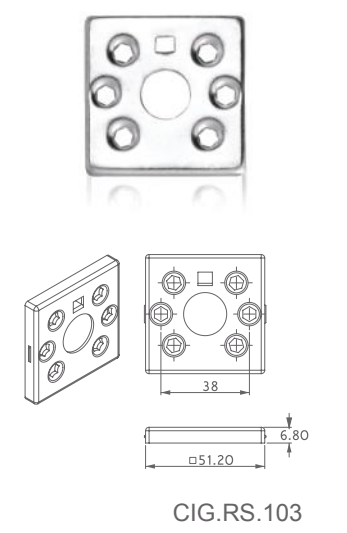
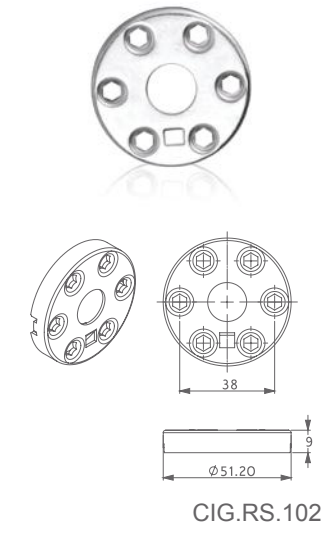
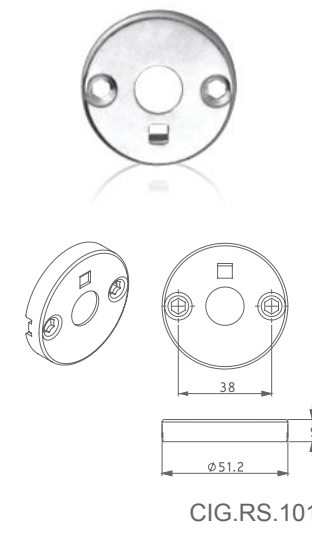
CIG.TT.111SS

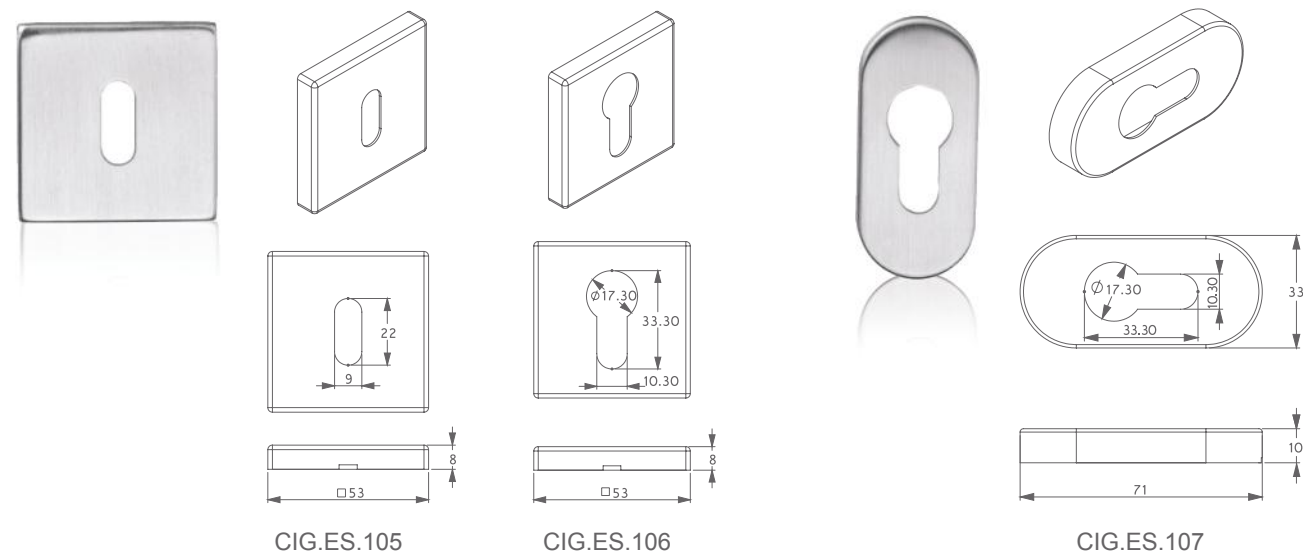
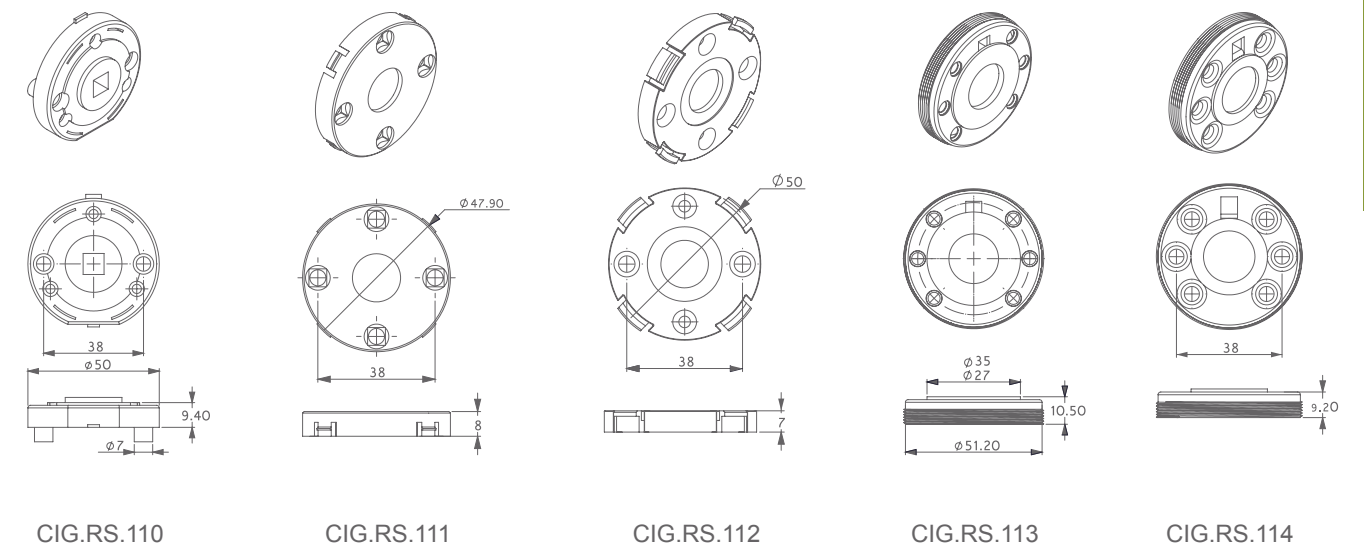
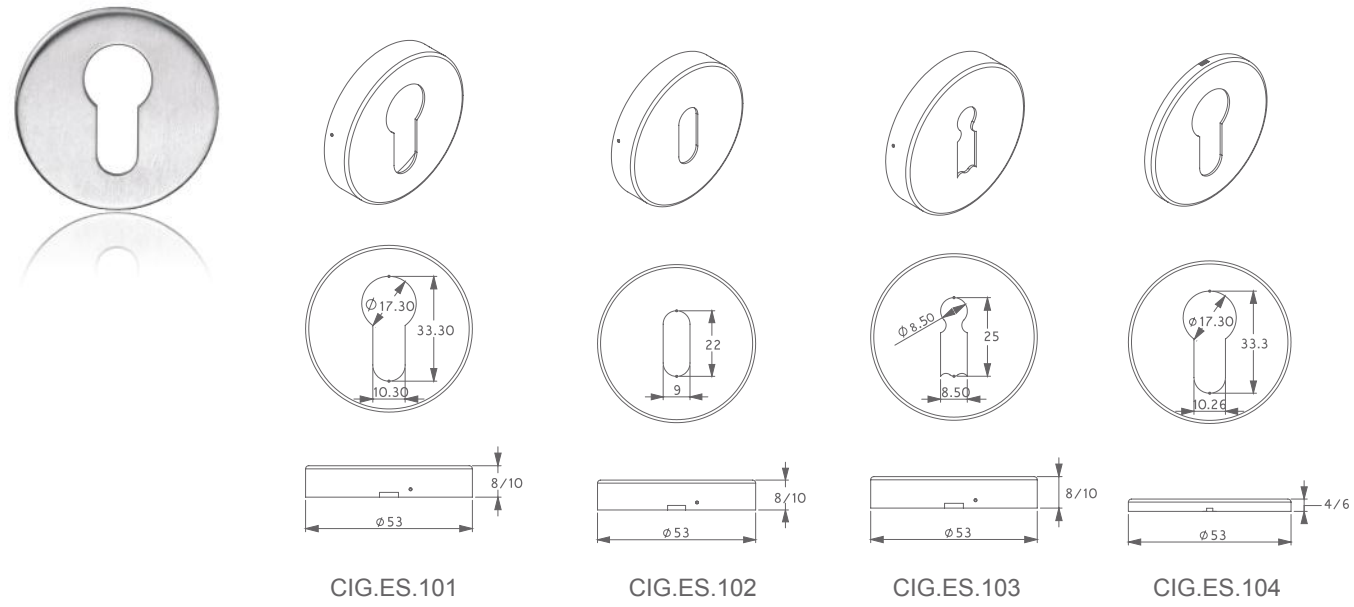


CIG.TT.112SS

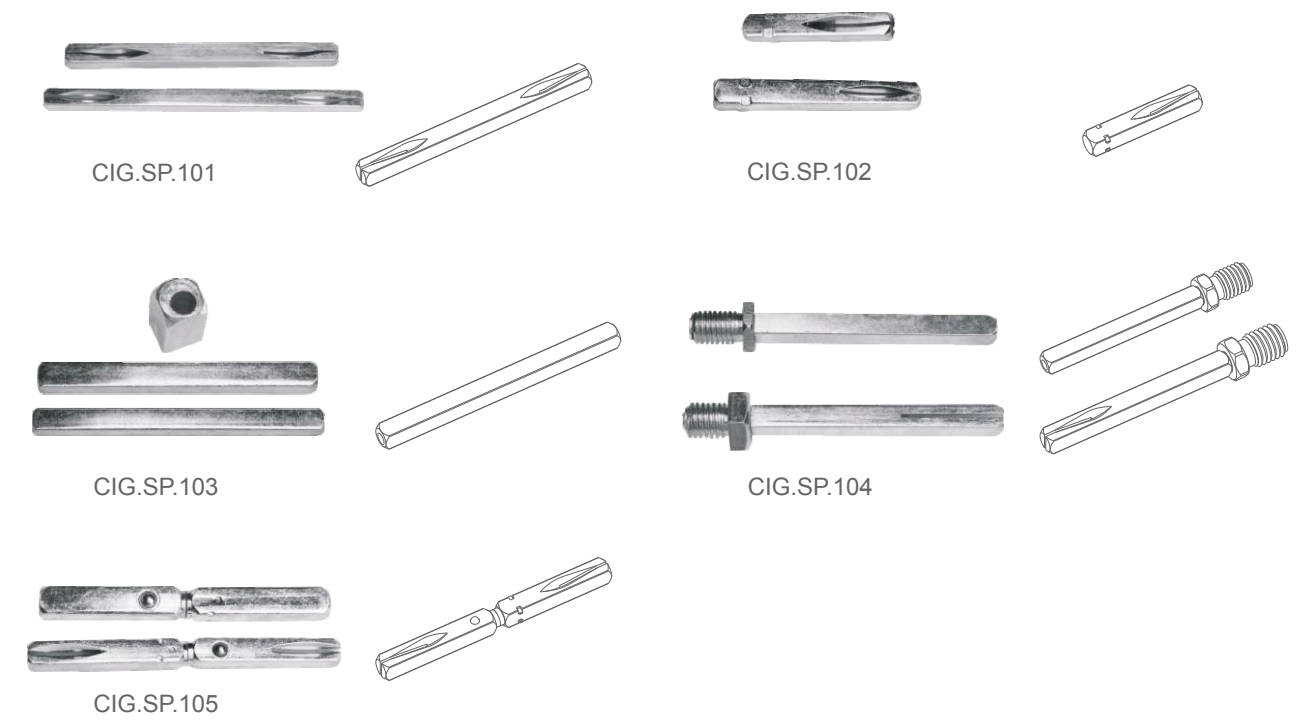








Spindle selection :



Security Escutcheon



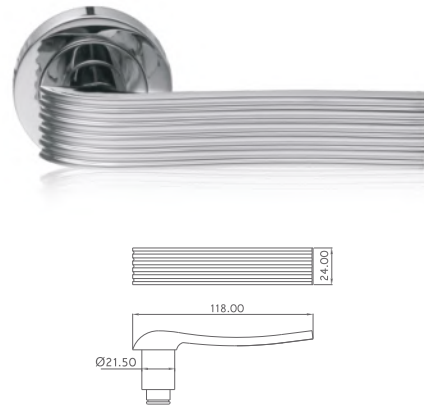
Material: steel  
 Finish: zinc-plated  
 specifications: 8x8mm / 7x7mm / 6x6mm  
 different length available



CIG.LH.101.ZN



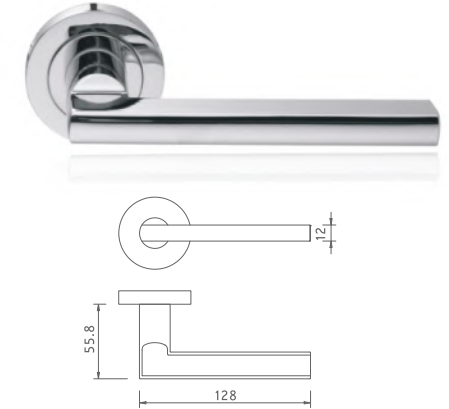
CIG.LH.102.ZN



CIG.LH.107.ZN



CIG.LH.108.ZN



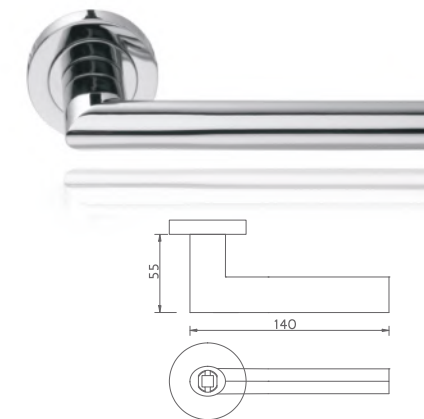
CIG.LH.103.ZN



CIG.LH.104.ZN



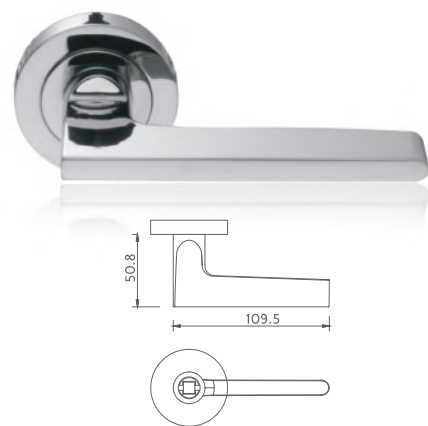
CIG.LH.109.ZN



CIG.LH.110.ZN



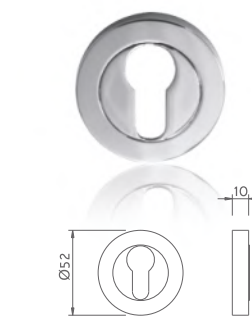
CIG.LH.105.ZN



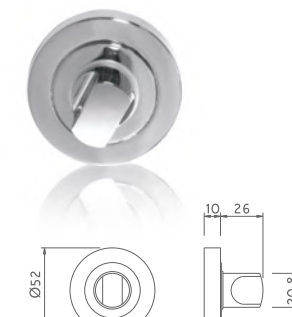
CIG.LH.106.ZN



CIG.LH.111.ZN



CIG.ES.112



CIG.TT.101.ZN



CIG.TT.102.ZN

Material: zinc alloy Die-casting  
Finish: SN/CP/BP/AB  
Optional version:



Accessories:

- >lockcase ..... P42-65
- >cylinder ..... P67-70

Material: zinc alloy Die-casting  
Finish: SN/CP/BP/AB  
Optional version:

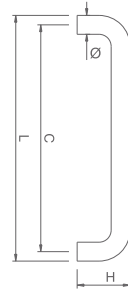


Accessories:

- >lockcase ..... P42-65
- >cylinder ..... P67-70



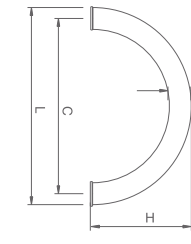
CIG.PH.101SS



available on hollow and solid

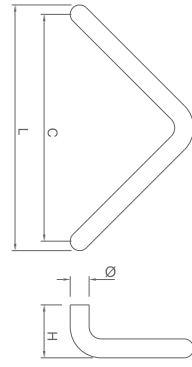
Art.No.	Ø	C	L	H
CIG.PH.101/19/150	19	150	169	55
CIG.PH.101/19/200	19	200	219	55
CIG.PH.101/19/300	19	300	319	55
CIG.PH.101/25/300	25	300	325	70
CIG.PH.101/25/350	25	350	375	70
CIG.PH.101/25/600	25	600	625	70
CIG.PH.101/32/300	32	300	332	85
CIG.PH.101/32/400	32	400	432	85
CIG.PH.101/32/600	32	600	632	85
CIG.PH.101/32/800	32	800	832	85

CIG.PH.104SS



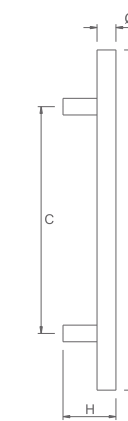
Art.No.	Ø	C	L	H
CIG.PH.104/25/200	25	200	225	70
CIG.PH.104/25/300	25	300	325	70
CIG.PH.104/32/300	32	300	332	80

CIG.PH.102SS



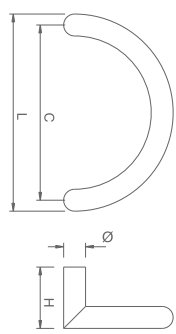
Art.No.	Ø	C	L	H
CIG.PH.102/25/300	25	300	325	70
CIG.PH.102/32/300	32	300	332	80

CIG.PH.105SS



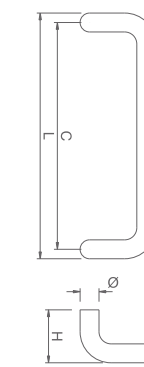
Art.No.	Ø	C	L	H
CIG.PH.105/25/250	25	250	400	70
CIG.PH.105/25/300	25	300	450	70
CIG.PH.105/25/400	25	400	550	70
CIG.PH.105/25/550	25	550	700	70
CIG.PH.105/30/300	30	300	450	85
CIG.PH.105/30/450	30	450	600	85
CIG.PH.105/30/550	30	550	700	85
CIG.PH.105/30/600	30	600	750	85
CIG.PH.105/30/800	30	800	950	85

CIG.PH.103SS



Art.No.	Ø	C	L	H
CIG.PH.103/25/200	25	200	225	70
CIG.PH.103/25/300	25	300	325	70
CIG.PH.103/32/300	32	300	332	80

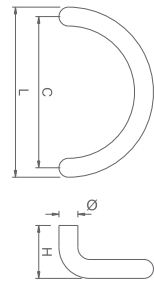
CIG.PH.106SS



available on hollow and solid

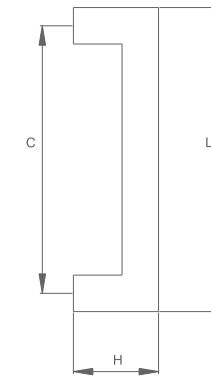
Art.No.	Ø	C	L	H
CIG.PH.106/25/300	25	300	325	70
CIG.PH.106/25/400	25	400	425	70
CIG.PH.106/25/450	25	450	475	70
CIG.PH.106/25/600	25	600	625	70
CIG.PH.106/32/300	32	300	332	85
CIG.PH.106/32/400	32	400	432	85
CIG.PH.106/32/450	32	450	482	85
CIG.PH.106/32/600	32	600	632	85

CIG.PH.107SS



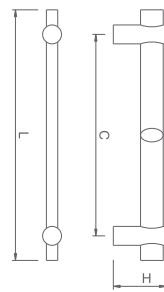
Art. No.	ø	C	L	H
CIG.PH.107 / 25 / 200	25	200	225	70
CIG.PH.107 / 25 / 300	25	300	325	70
CIG.PH.107 / 32 / 300	32	300	332	80
CIG.PH.107 / 32 / 350	32	350	382	80

CIG.PH.110SS



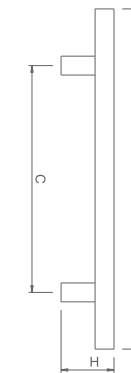
Art. No.	□	C	L	H
CIG.PH.110/30/200	30x15	200	215	65
CIG.PH.110/30/250	30x15	250	265	65
CIG.PH.110/30/300	30x15	300	315	65
CIG.PH.110/30/400	30x15	400	415	65
CIG.PH.110/30/600	30x15	600	615	65
CIG.PH.110/40/300	40x20	300	320	65
CIG.PH.110/40/400	40x20	400	420	65
CIG.PH.110/40/500	40x20	500	520	65
CIG.PH.110/40/600	40x20	600	620	65
CIG.PH.110/40/800	40x20	800	820	65

CIG.PH.108SS



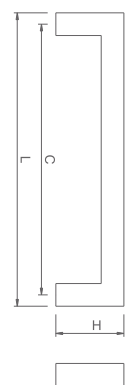
Art. No.	ø	C	L	H
CIG.PH.108 / 250	30x15	250	315	70
CIG.PH.108 / 300	30x15	300	365	70
CIG.PH.108 / 350	30x15	350	415	70
CIG.PH.108 / 450	30x15	450	515	70
CIG.PH.108 / 600	30x15	600	665	70

CIG.PH.111SS



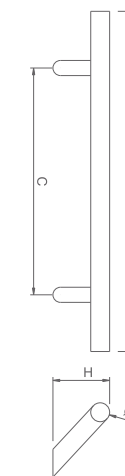
Art. No.	□	C	L	H
CIG.PH.111 / 25 / 250	25x25	250	400	70
CIG.PH.111 / 25 / 300	25x25	300	450	70
CIG.PH.111 / 25 / 400	25x25	400	550	70
CIG.PH.111 / 25 / 500	25x25	500	650	70
CIG.PH.111 / 30 / 300	30x30	300	450	75
CIG.PH.111 / 30 / 400	30x30	400	550	75
CIG.PH.111 / 30 / 450	30x30	450	600	75
CIG.PH.111 / 30 / 500	30x30	500	650	75
CIG.PH.111 / 30 / 600	30x30	600	750	75

CIG.PH.109SS



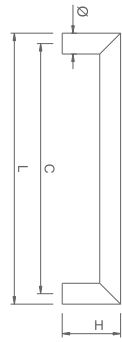
Art. No.	□	C	L	H
CIG.PH.109 / 20 / 200	20x20	200	220	65
CIG.PH.109 / 20 / 250	20x20	250	270	65
CIG.PH.109 / 20 / 300	20x20	300	320	65
CIG.PH.109 / 20 / 400	20x20	400	420	65
CIG.PH.109 / 30 / 300	30x30	300	330	90
CIG.PH.109 / 30 / 400	30x30	400	430	90
CIG.PH.109 / 30 / 500	30x30	500	530	90
CIG.PH.109 / 30 / 600	30x30	600	630	90
CIG.PH.109 / 30 / 800	30x30	800	830	90

CIG.PH.112SS



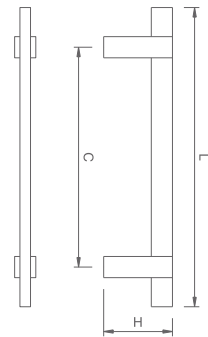
Art. No.	ø	C	L	H
CIG.PH.112 / 25 / 250	25	250	400	75
CIG.PH.112 / 25 / 300	25	300	450	75
CIG.PH.112 / 25 / 400	25	400	550	75
CIG.PH.112 / 32 / 300	32	300	450	90
CIG.PH.112 / 32 / 450	32	450	600	90
CIG.PH.112 / 32 / 500	32	500	650	90
CIG.PH.112 / 32 / 600	32	600	750	90
CIG.PH.112 / 32 / 800	32	800	950	90

CIG.PH.113SS



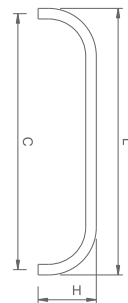
Art.No.	Ø	C	L	H
CIG.PH.113/19/200	19	150	169	55
CIG.PH.113/19/200	19	200	219	55
CIG.PH.113/19/250	19	250	269	55
CIG.PH.113/19/300	19	300	319	55
CIG.PH.113/25/250	25	250	275	70
CIG.PH.113/25/300	25	300	325	70
CIG.PH.113/25/350	25	350	375	70
CIG.PH.113/25/400	25	400	425	70
CIG.PH.113/32/300	32	300	332	85
CIG.PH.113/32/400	32	400	432	85
CIG.PH.113/32/600	32	600	632	85

CIG.PH.114SS



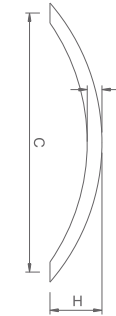
Art.No.	□	C	L	H
CIG.PH.114/20/150	20x10	150	225	65
CIG.PH.114/20/200	20x10	200	275	65
CIG.PH.114/20/250	20x10	250	325	65
CIG.PH.114/20/300	20x10	300	375	65
CIG.PH.114/20/400	20x10	400	475	65
CIG.PH.114/20/500	20x10	500	575	65

CIG.PH.115SS



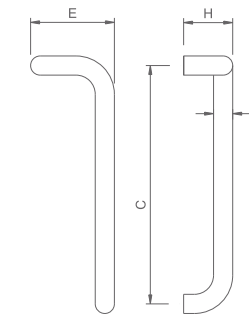
Art.No.	□	C	L	H
CIG.PH.115/25/150	25x10	150	165	55
CIG.PH.115/25/200	25x10	200	215	55
CIG.PH.115/25/250	25x10	250	265	55
CIG.PH.115/25/300	25x10	300	315	55
CIG.PH.115/25/400	25x10	400	415	55

CIG.PH.116SS



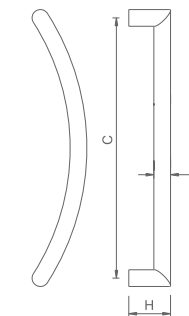
Art.No.	Ø	C	L	H
CIG.PH.116/25/250	25	250	•	70
CIG.PH.116/25/300	25	300	•	70
CIG.PH.116/25/450	25	450	•	70

CIG.PH.117SS



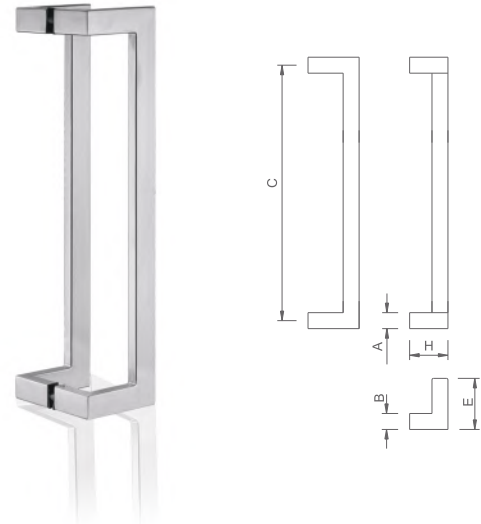
Art.No.	Ø	C	L	H
CIG.PH.117/25/400	25	400	130	75
CIG.PH.117/25/600	25	600	130	75
CIG.PH.117/32/600	32	600	140	80
CIG.PH.117/32/800	32	800	140	80

CIG.PH.118SS



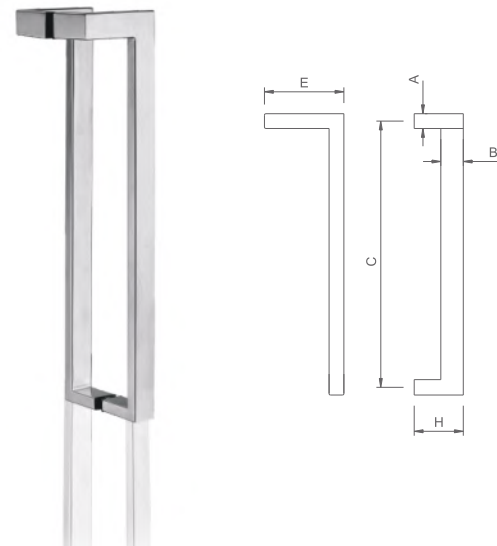
Art.No.	Ø	C	L	H
CIG.PH.118/400	25	400		70
CIG.PH.118/600	32	600		80

CIG.PH.119SS



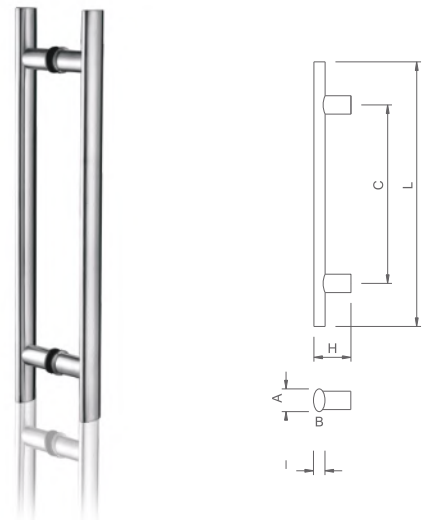
Art.No.	A	B	C	H	L	E
CIG.PH.119	25	25	450	70	475	80
CIG.PH.119	25	25	600	70	625	80
CIG.PH.119	38	25	600	70	625	110
CIG.PH.119	25	38	600	83	638	110

CIG.PH.120SS



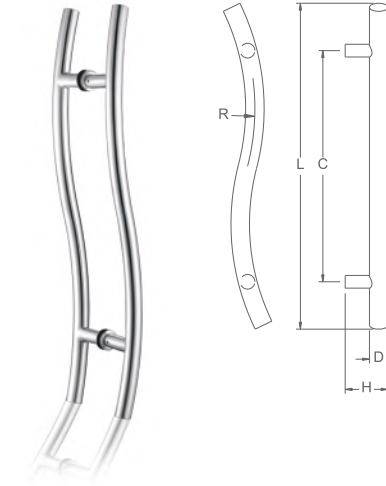
Art.No.	C	L	C	L	H
CIG.PH.120	25	25	450	70	80
CIG.PH.120	25	25	600	70	80
CIG.PH.120	38	25	600	70	110
CIG.PH.120	25	38	600	83	110

CIG.PH.121SS



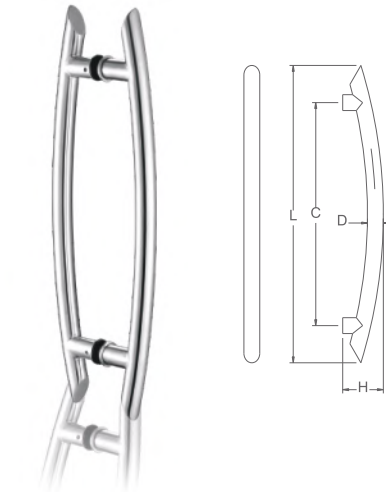
Art.No.	A	B	C	L	H
CIG.PH.121	40	20	300	450	65
CIG.PH.121	40	20	450	600	65
CIG.PH.121	40	20	600	800	65

CIG.PH.122SS



Art.No.	D	C	H	L	R
CIG.PH.122	25	300	70	400	400
CIG.PH.122	25	400	70	550	400
CIG.PH.122	32	400	77	550	400

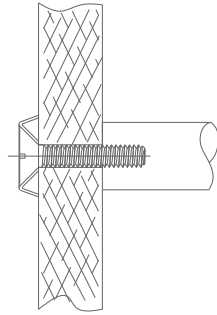
CIG.PH.123SS



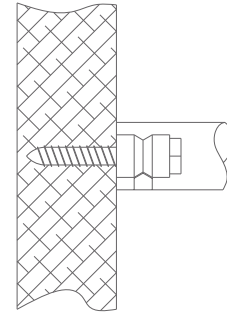
Art.No.	D	C	H	L	R
CIG.PH.123	25	300	75	450	600
CIG.PH.123	25	350	75	500	800
CIG.PH.123	32	300	82	500	1000
CIG.PH.123	32	450	82	600	1000

**Installation & instructions**

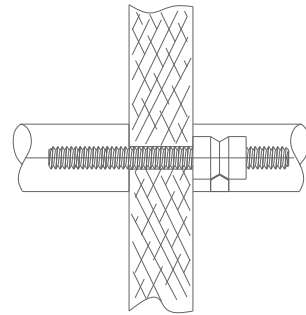
For wood door:



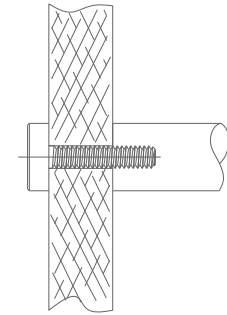
Single fixing on wooden doors  
(visible) door drilling  $\phi$  12.5mm



Single fixing on wooden doors  
(concealed) with Rampa sleeve  
door drilling  $\phi$  13-  $\phi$  13.5mm

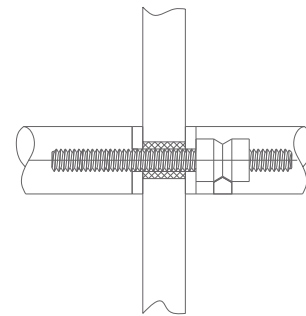


Back to back fixing on wooden doors  
door thickness 35-55mm

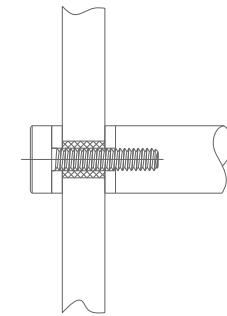


Single fixing on wooden doors with decorative screw  
for door thickness 35-55mm

For glass door:



Back to back fixing on glass doors  
door thickness 8-12mm



Single fixing on glass doors with decorative screw  
for door thickness 8-12mm



# LOCK SYSTEM

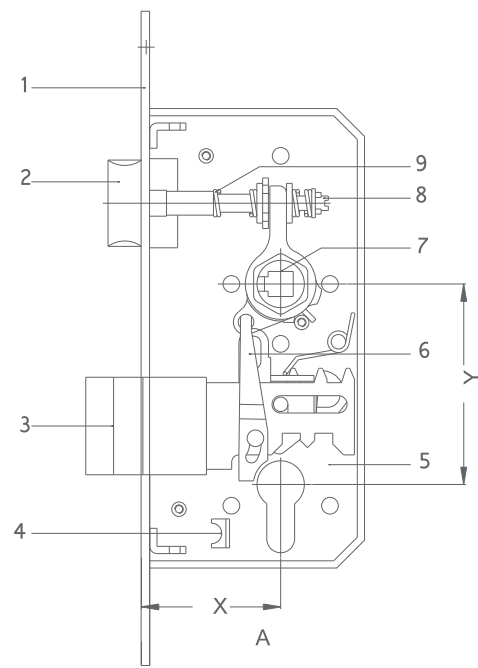
The mortise locks have been categorized into the following different usage areas:

- For pivot doors
- For double action doors
- For sliding doors
- For narrow frame doors
- For escape routes
- For fire resistant doors
- Lock components and dimensions

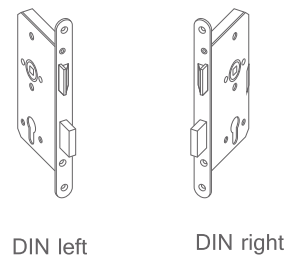
Door direction

Depending on the pivoting direction of a door, a distinction is made between left hand and right hand doors. The door direction or side designation is determined as follows according to DIN 107:  
 Visible position of the door hinges on the left = DIN left  
 Visible position of the door hinges on the right = DIN right  
 Some usable designations can also be derived from the access direction.

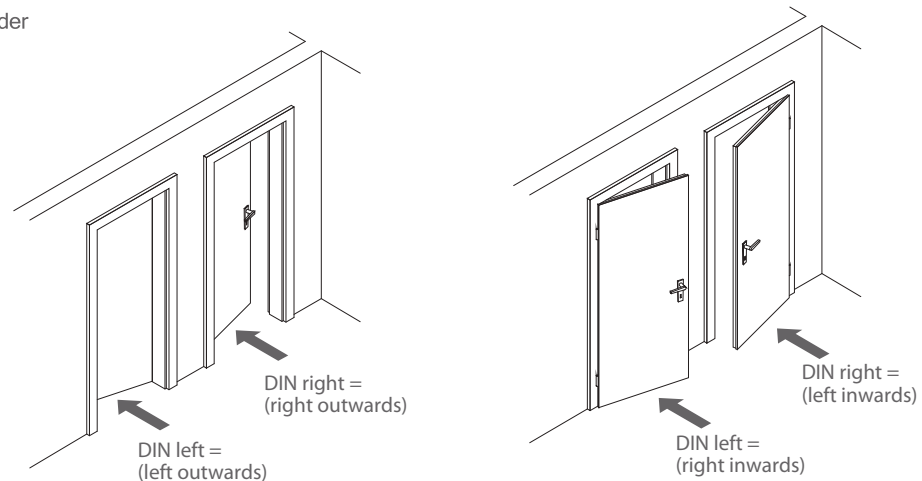
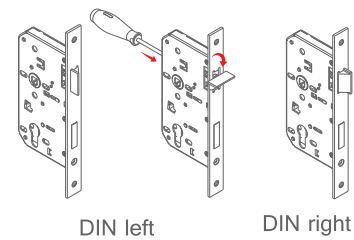
In accordance with the door directions, the mortise locks are also classified as DIN left hand and DIN right hand locks:



- 1 Forend
- 2 Latch bolt
- 3 Dead bolt
- 4 Screw hole for cylinder
- 5 Lock case
- 6 Action-arm
- 7 Follower
- 8 Turning device
- 9 Spring
- X Backset
- Y Distance

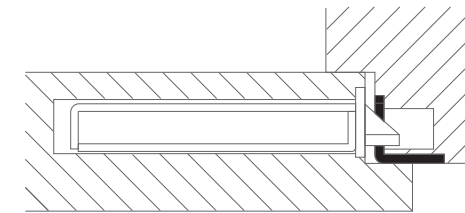


lockcase reversible direction:  
 use screwdriver to push out the latch from backside of the lockcase then allow the latch rotated 180 degree and let it reset.

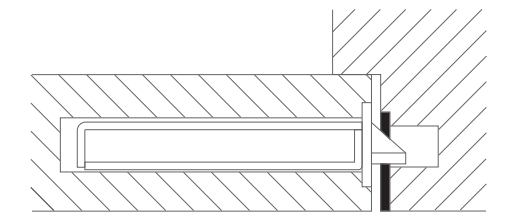


Type of door

The choice of mortise lock also depends on the type of the door:  
 Profile of a rebated door with mortise lock (forend protruding at one side)



Profile of a flush door with mortise lock (forend protruding at both sides)



Standardization in compliance with DIN

Mortise locks can be tested according to DIN 18251 and assigned to 5 lock categories:

- Grade 1**  
 Lock for interior doors (interior door lock for infrequently used door)  
 Backset 55 mm  
 Lock cover secured in two places  
 max. door weight 40 kg \*)  
 Infrequent use
- Grade 2**  
 Lock for more frequently used interior doors (interior door lock)  
 Backset 55 mm  
 Lock cover secured in at least two places  
 Door weight 40 – 50 kg \*)  
 Standard use
- Grade 3**  
 Lock for external apartment doors  
 Backset 55 mm  
 Lock cover secured in at least three places  
 Door weight 50 – 60 kg \*)  
 Moderate use  
 Type tested according to DIN 18257 with firmly fixed fittings with 200,000 latchbolt operations and 50,000 deadbolt operations.
- Grade 4**  
 Lock for high user frequency and increased burglary prevention  
 Backset 55 – 100 mm  
 Lock cover secured in at least three places  
 Door weight greater than 60 kg \*)  
 Frequent use  
 Type tested according to DIN 18257 with firmly fixed fittings with 500,000 latchbolt operations and 100,000 deadbolt operations.
- Grade 5**  
 Lock for high user frequency and increased burglary prevention  
 Backset 55 – 100 mm  
 Lock cover secured in at least three places  
 Door weight greater than 60 kg \*)  
 Frequent use  
 Type tested according to DIN 18257 with firmly fixed fittings with 500,000 latchbolt operations and 100,000 deadbolt operations.



Security lock

CIG.ML.101

CIG.ML.102



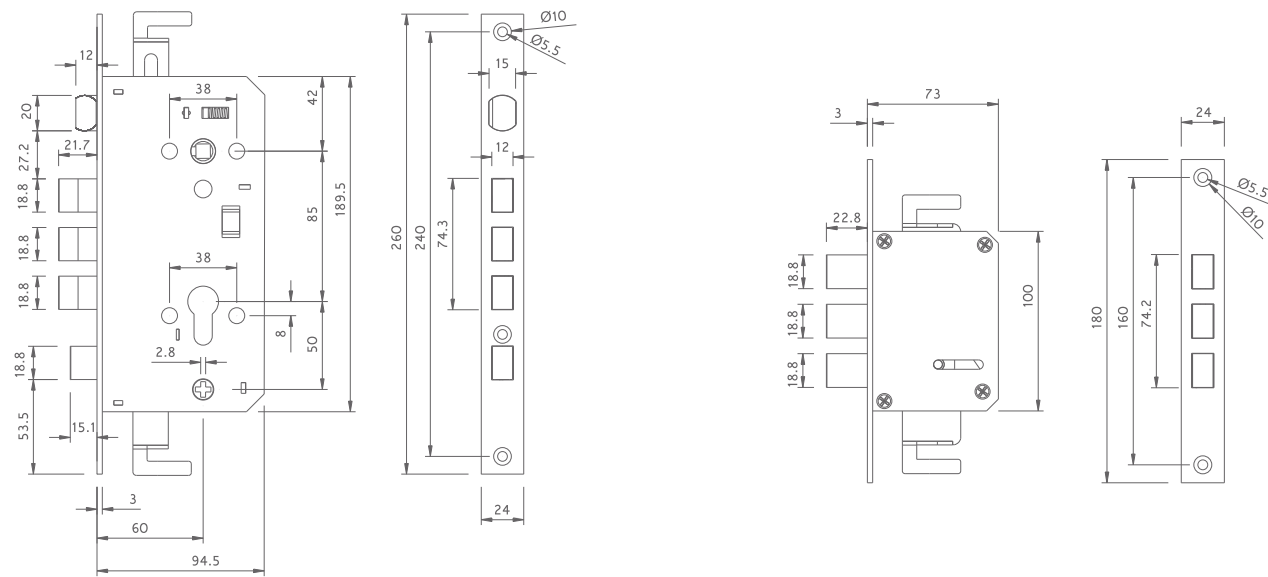
- >Area of application: For rebated or flush doors
- >Material:
  - Forend, latchbolt and deadbolt: Stainless steel
  - Lock case: Steel
  - Bolt pocket: Plastic
- >Closure: Prepared for profile cylinder
- >Deadbolt: 2-turn
- >Forend: square
- >Lever follower: 8x8 mm

- Supplied with:
- Mortise lock 1pc
  - Striking plate 1pc
  - Bolt pockets 1pc
  - Fixing screws 1set



Available escape function

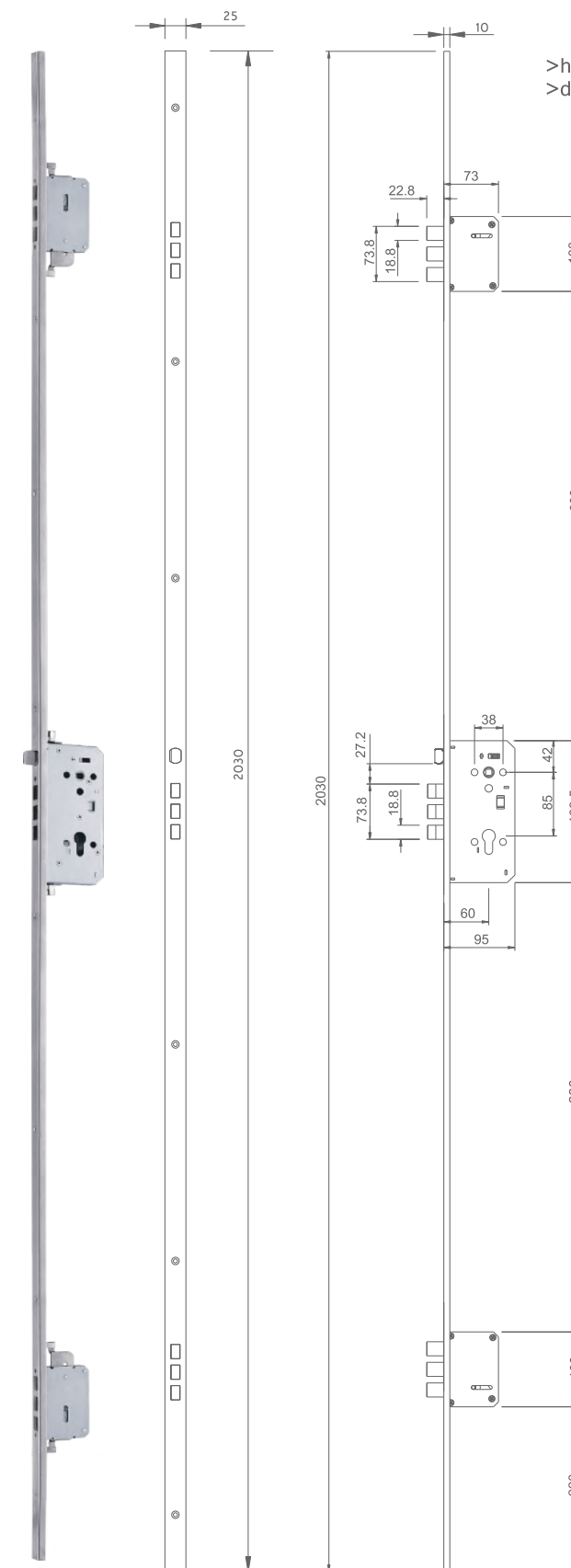
\* When order please advise if need the correct arm plate.



- Accessories:
- >handle ..... P01-16
  - >plate ..... P17-24
  - >rosette ..... P27-31
  - >cylinder ..... P67-70

Security multipoint lock

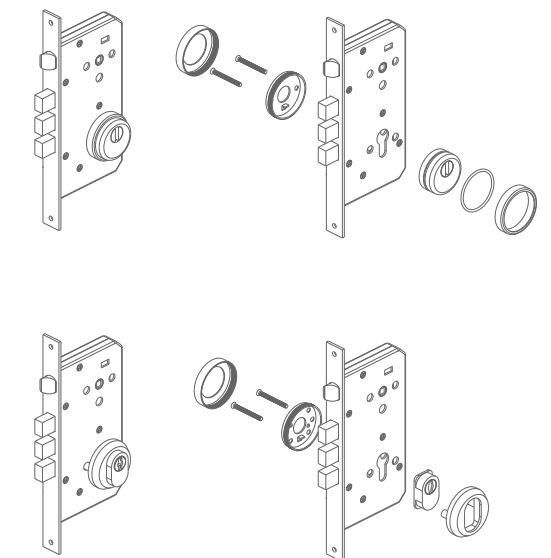
CIG.ML.101



>highly rigid U-profile stainless steel front Ideal for solid wood doors  
>door thickness: >40mm



Available escape function



Security rosette option:



CIG.ES.108



CIG.ES.111



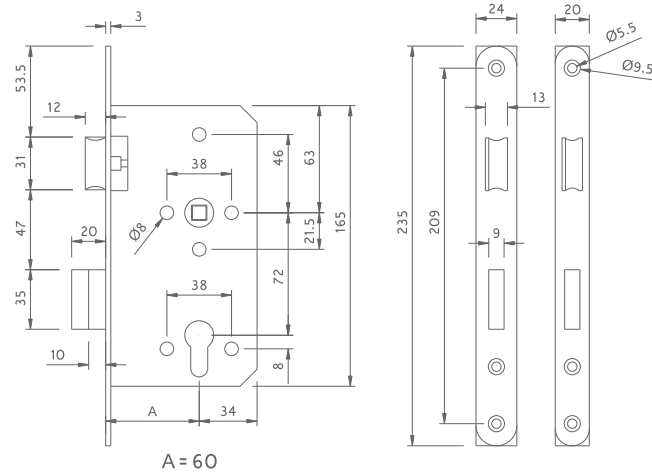
EMERGENCY ESCAPE LOCK

CIG.ML.103

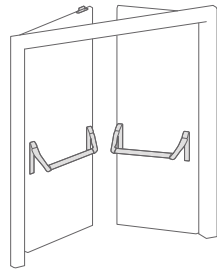


- >Area of application: For rebated or flush doors
- >Material:  
Forend, follower,latchbolt and deadbolt: Stainless steel  
Lock case: Steel  
Bolt pocket: Plastic
- >Closure: Prepared for profile cylinder
- >Deadbolt: 2-turn
- >Forend: Round or square
- >Lever follower: 8x8 mm

Supplied with:  
Mortise lock 1pc  
Striking plate 1pc  
Bolt pockets 1pc  
Fixing screws 1set  
Spindle 1pc

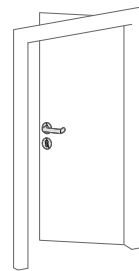


OPTION 1



INSIDE

OPTION2



INSIDE

Inside  
The door can be opened by activating the lever handle (escape route function) and locked with the key. The panic function B (reversible function) is only permitted with the key removed, otherwise damages to the lock may occur.

Outside  
The door can be opened with the key and by activating the lever handle and locked with the key.

- Accessories:
- >handle ..... P01-16
  - >plate ..... P17-24

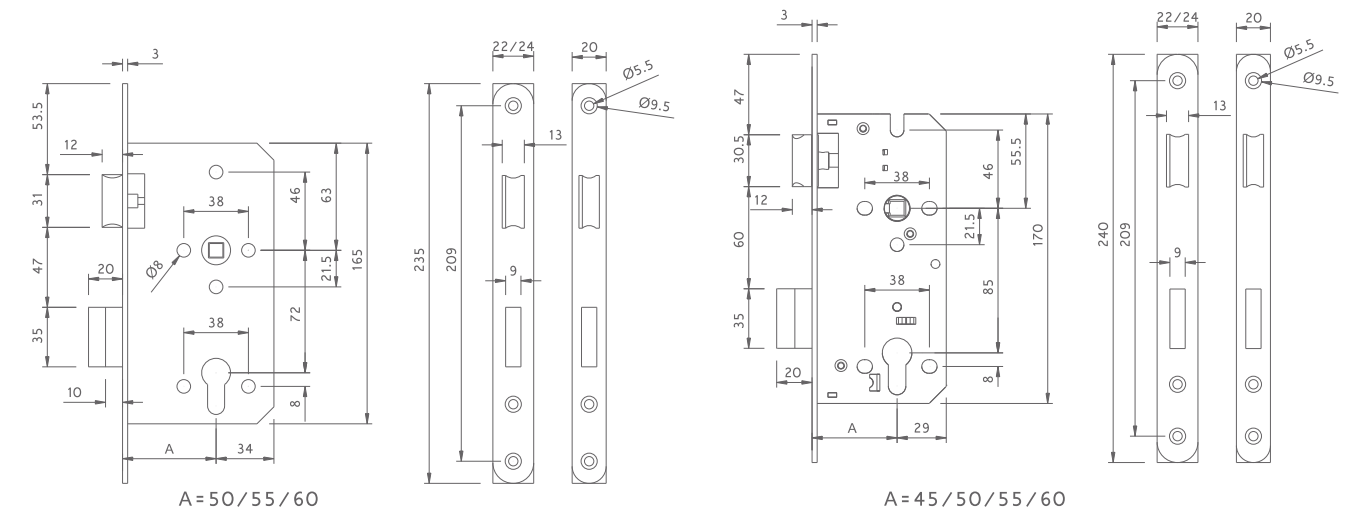
SASH LOCK

CIG.ML.104



- >Area of application: For rebated or flush doors
- >Material:  
Forend, follower,latchbolt and deadbolt: Stainless steel  
Lock case: Steel  
Bolt pocket: Plastic
- >Closure: Prepared for profile cylinder
- >Deadbolt: 2-turn
- >Forend: Round or square
- >Lever follower: 8x8 mm
- >Standard: Certified in compliance with EN 12209:2003
- >Class: 3H400E2H020

Supplied with:  
Mortise lock 1pc  
Striking plate 1pc  
Bolt pockets 1pc  
Fixing screws 1set



CIG.ML.104 /72

CIG.ML.104 /85

- Note:
1. Forend width 20 mm for rebated doors
  2. Forend width 22/24 mm for flush doors

- Accessories:
- >handle ..... P01-16
  - >plate ..... P17-24

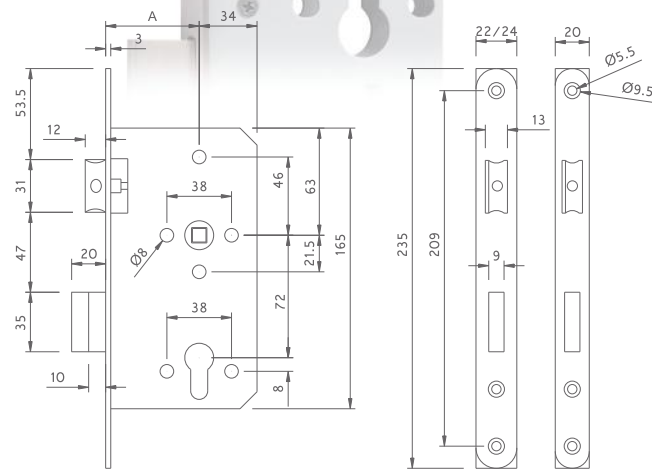
CIG.ML.104AD

CIG.ML.105



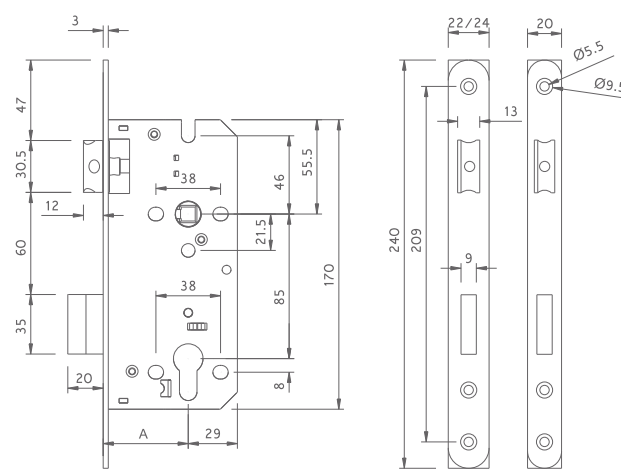
- >Area of application: For rebated or flush doors
- >Material:  
Forend, follower,latchbolt and deadbolt: Stainless steel  
Lock case: Steel  
Bolt pocket: Plastic
- >Closure: Prepared for profile cylinder
- >Deadbolt: 2-turn
- >Forend: Round or square
- >Lever follower: 8x8 mm
- >Standard: EN 12209:2003
- >Latchbolt adjustable: 1~4mm

Supplied with:  
Mortise lock 1pc  
Striking plate 1pc  
Bolt pockets 1pc  
Fixing screws 1set



A=50/55/60

CIG.ML.104AD/72



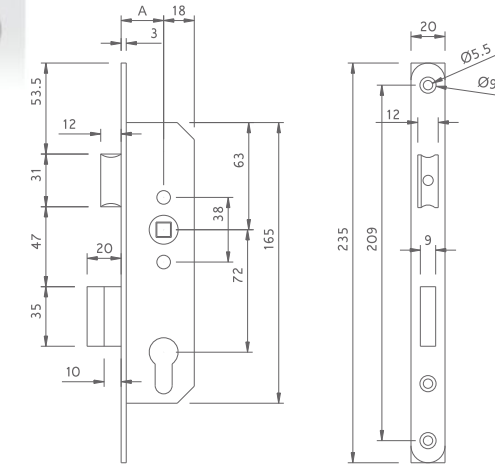
A=45/50/55/60

CIG.ML.104AD/85



- >Area of application: For rebated or flush doors
- >Material:  
Forend, follower,latchbolt and deadbolt: Stainless steel  
Lock case: Steel  
Bolt pocket: Plastic
- >Closure: Prepared for profile cylinder
- >Deadbolt: 1-turn
- >Forend: Round or square
- >Lever follower: 8x8 mm
- >Standard: EN 12209:2003

Supplied with:  
Mortise lock 1pc  
Striking plate 1pc  
Bolt pockets 1pc  
Fixing screws 1set



A=25/30/35

- Note:
1. Forend width 20 mm for rebated doors
  2. Forend width 22/24 mm for flush doors

Accessories:  
>handle ..... P01-16  
>plate ..... P17-24

Accessories:  
>handle ..... P01-16  
>plate ..... P17-24

CIG.ML.106

CIG.ML.106AD

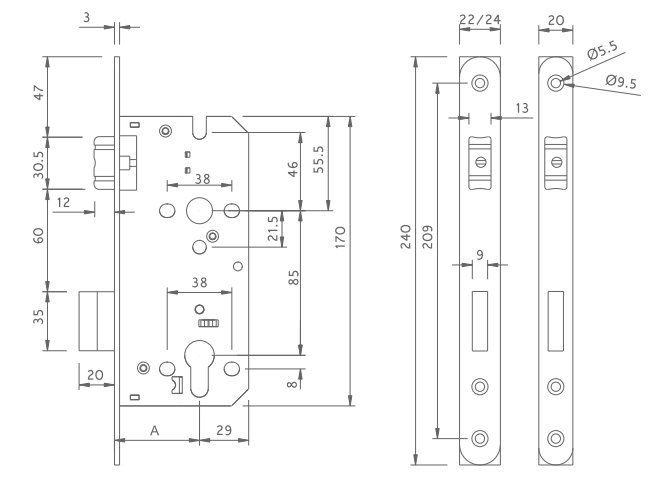
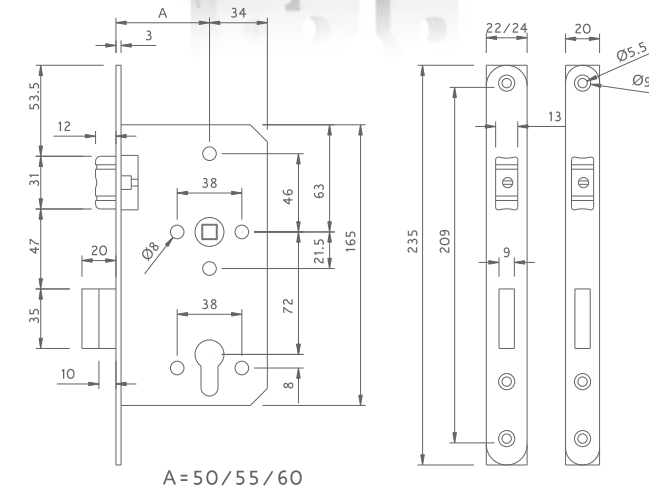
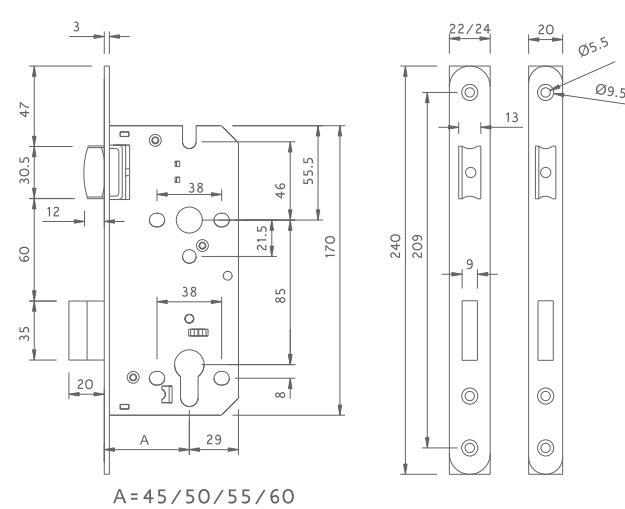
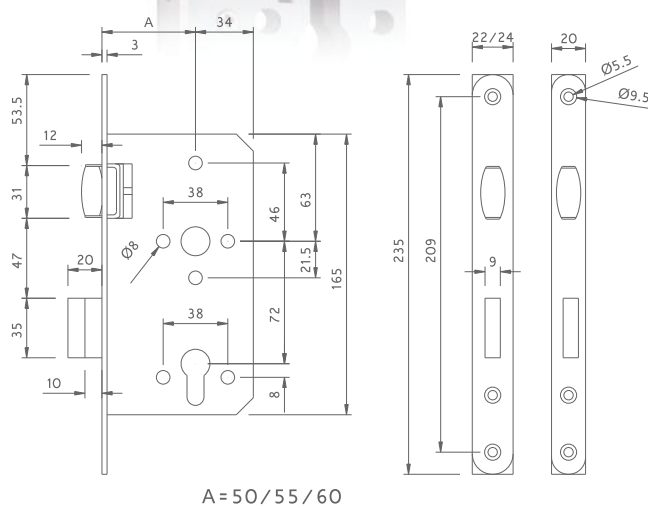


- >Area of application: For flush doors
- >Material:  
Forend, latchbolt and deadbolt: Stainless steel  
Lock case: Steel  
Bolt pocket: Plastic
- >Closure: Prepared for profile cylinder
- >Deadbolt: 2-turn
- >Forend: Round or square
- >Lever follower: 8x8 mm
- >Standard: EN12209:2003

- >Area of application: For flush doors
- >Material:  
Forend, follower,latchbolt and deadbolt: Stainless steel  
Lock case: Steel  
Bolt pocket: Plastic
- >Closure: Prepared for profile cylinder
- >Deadbolt: 2-turn
- >Forend: Round or square
- >Lever follower: 8x8 mm
- >Standard: EN 12209:2003
- >Latchbolt adjustable: 1-4mm

Supplied with:  
Mortise lock 1pc  
Striking plate 1pc  
Bolt pockets 1pc  
Fixing screws 1set

Supplied with:  
Mortise lock 1pc  
Striking plate 1pc  
Bolt pockets 1pc  
Fixing screws 1set



CIG.ML.106 /72

CIG.ML.106 /85

CIG.ML.106AD /72

CIG.ML.106AD /85

Note:

1. Forend width 20 mm for rebated doors
2. Forend width 22/24 mm for flush doors

Note:

1. Forend width 20 mm for rebated doors
2. Forend width 22/24 mm for flush doors

Accessories:

- >handle ..... P01-16
- >plate ..... P17-24

Accessories:

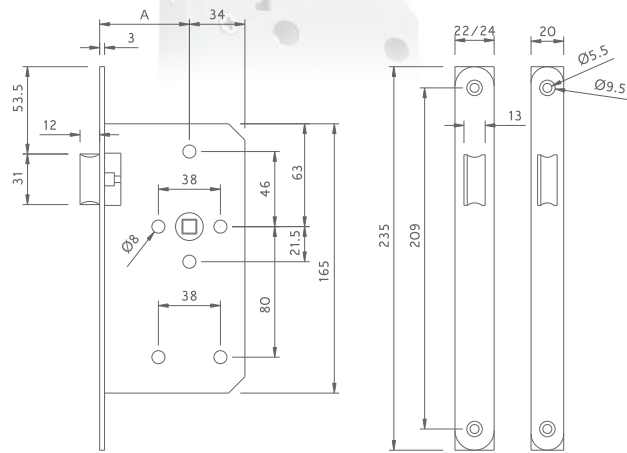
- >handle ..... P01-16
- >plate ..... P17-24

CIG.ML.107



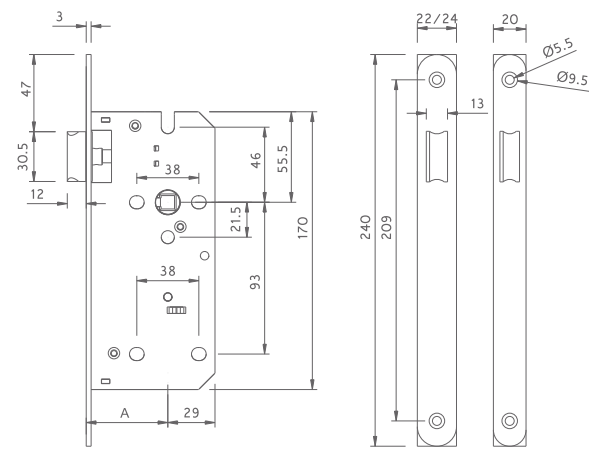
- >Area of application: For rebated or flush doors
- >Material:
- Forend, follower,latchbolt : Stainless steel
- Lock case: Steel
- Bolt pocket: Plastic
- >Forend: Round or square
- >Lever follower: 8x8 mm
- >Standard: EN 12209:2003

Supplied with:  
 Mortise lock 1pc  
 Striking plate 1pc  
 Bolt pockets 1pc  
 Fixing screws 1set



A=50/55/60

CIG.ML.107/72



A=45/50/55/60

CIG.ML.107/85

- Note:
1. Forend width 20 mm for rebated doors
  2. Forend width 22/24 mm for flush doors

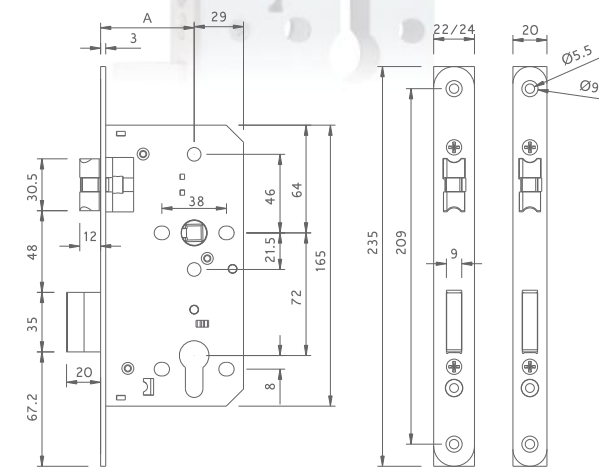
Accessories:  
 >handle ..... P01-16  
 >plate ..... P17-24

CIG.ML.108



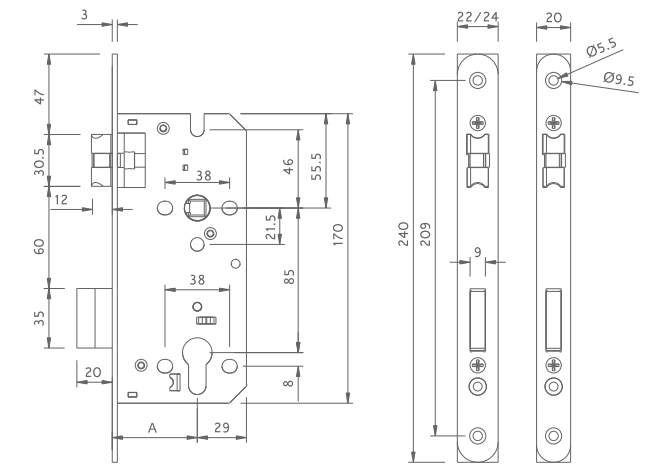
- >Area of application: For rebated or flush doors
- >Material:
- Forend, follower,latchbolt and deadbolt: Stainless steel
- Lock case: Steel
- Bolt pocket: Plastic
- >Closure: Prepared for profile cylinder
- >Deadbolt: 2-turn
- >Forend: Round or square
- >Lever follower: 8x8 mm
- >Standard: EN 12209:2003

Supplied with:  
 Mortise lock 1pc  
 Striking plate 1pc  
 Bolt pockets 1pc  
 Fixing screws 1set



A=50/55/60

CIG.ML.108/72



A=45/50/55/60

CIG.ML.108/85

- Note:
1. Forend width 20 mm for rebated doors
  2. Forend width 22/24 mm for flush doors

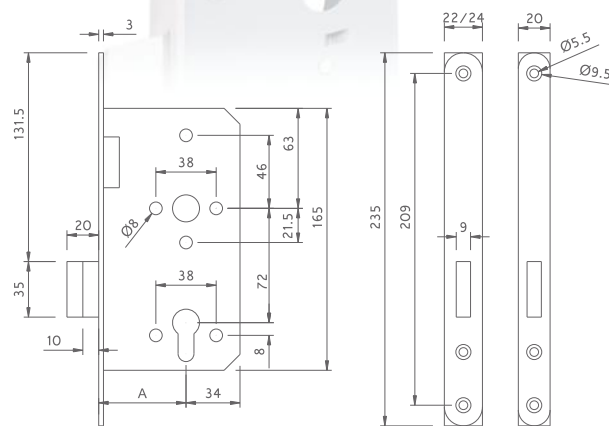
Accessories:  
 >handle ..... P01-16  
 >plate ..... P17-24

CIG.ML.109



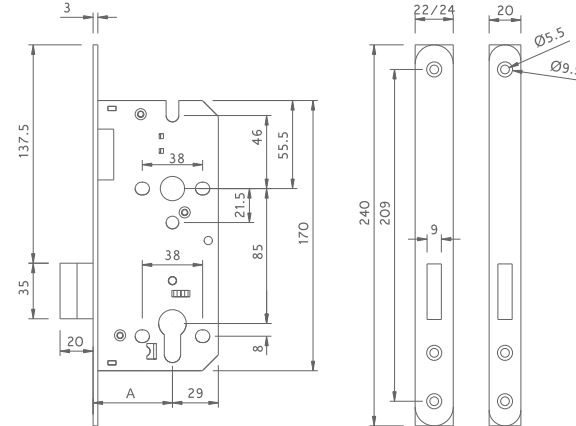
- >Area of application: For rebated or flush doors
- >Material:  
Forend and deadbolt: Stainless steel  
Lock case: Steel  
Bolt pocket: Plastic
- >Closure: Prepared for profile cylinder
- >Deadbolt: 2-turn
- >Forend: Round or square
- >Standard: EN 12209:2003

Supplied with:  
Mortise lock 1pc  
Striking plate 1pc  
Bolt pockets 1pc  
Fixing screws 1set



A= 50/55/60

CIG.ML.109/72



A= 45/50/55/60

CIG.ML.109/85

- Note:
1. Forend width 20 mm for rebated doors
  2. Forend width 22/24 mm for flush doors

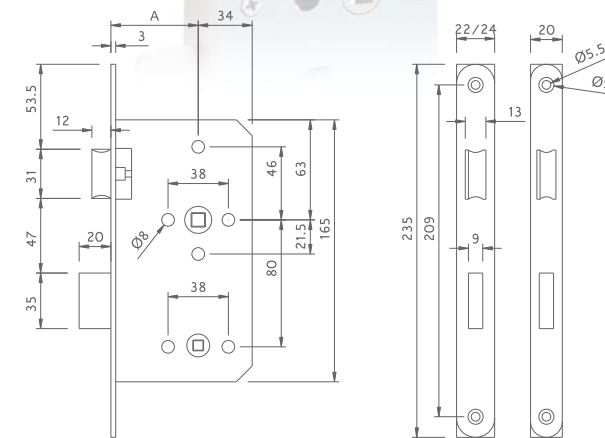
Accessories:  
>handle ..... P01-16  
>plate ..... P17-24

CIG.ML.110



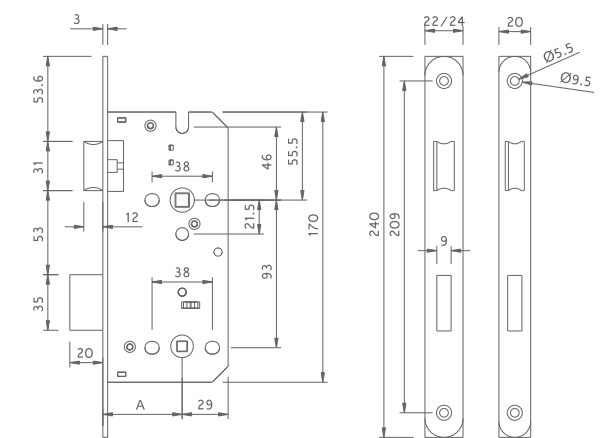
- >Area of application: For rebated or flush doors
- >Material:  
Forend, follower, latchbolt and deadbolt: Stainless steel  
Lock case: Steel  
Bolt pocket: Plastic
- >Closure: Prepared for spindle
- >Deadbolt: 1-turn
- >Forend: Round or square
- >Lever follower: 8x8 mm
- >Standard: EN 12209:2003

Supplied with:  
Mortise lock 1pc  
Striking plate 1pc  
Bolt pockets 1pc  
Fixing screws 1set



A= 50/55/60

CIG.ML.110/72



A= 45/50/55/60

CIG.ML.110/85

- Note:
1. Forend width 20 mm for rebated doors
  2. Forend width 22/24 mm for flush doors

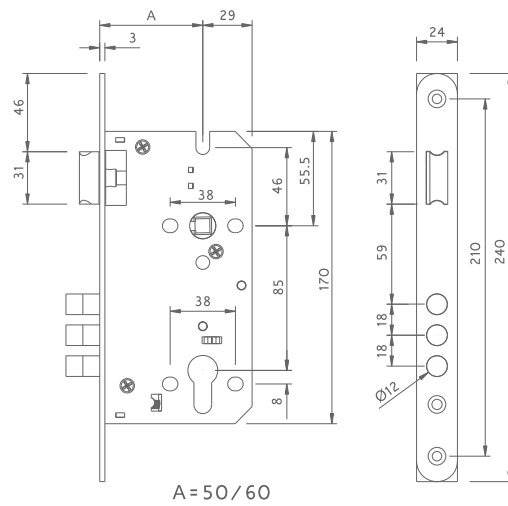
Accessories:  
>handle ..... P01-16  
>plate ..... P17-24

CIG.ML.111

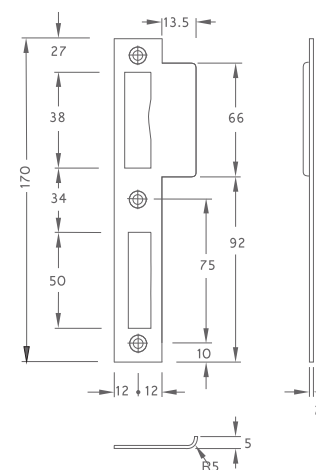
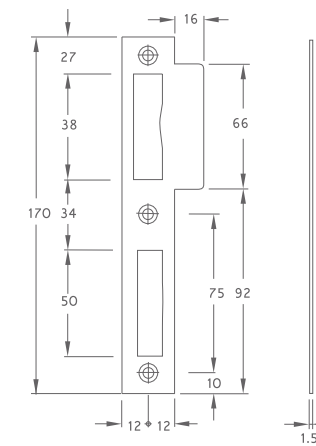


- >Area of application: For rebated or flush doors
- >Material:  
Forend, follower,latchbolt and deadbolt: Stainless steel  
Lock case: Steel  
Bolt pocket: Plastic
- >Closure: Prepared for profile cylinder
- >Deadbolt: 2-turn
- >Forend: Round or square
- >Lever follower: 8x8 mm
- >Standard: EN 12209:2003

- Supplied with:
- Mortise lock 1pc
  - Striking plate 1pc
  - Bolt pockets 1pc
  - Fixing screws 1set

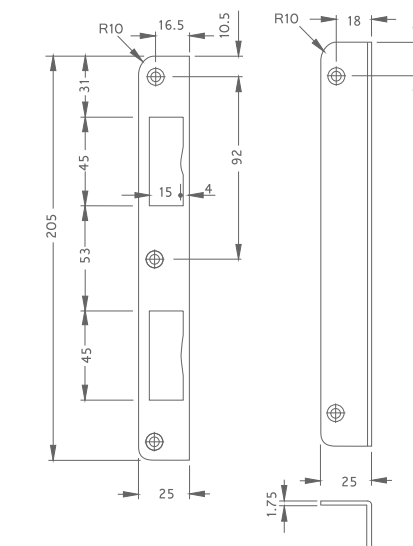
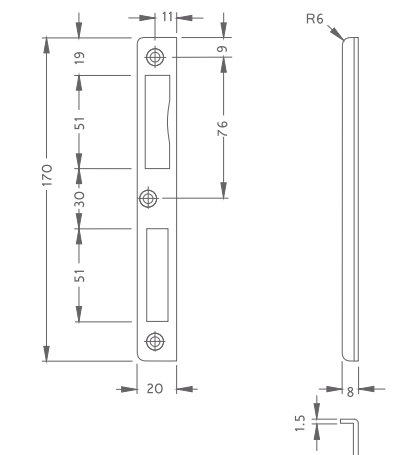
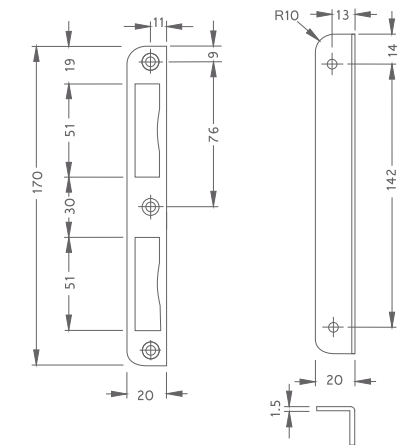


Flanged striking plate



Can choose round or square

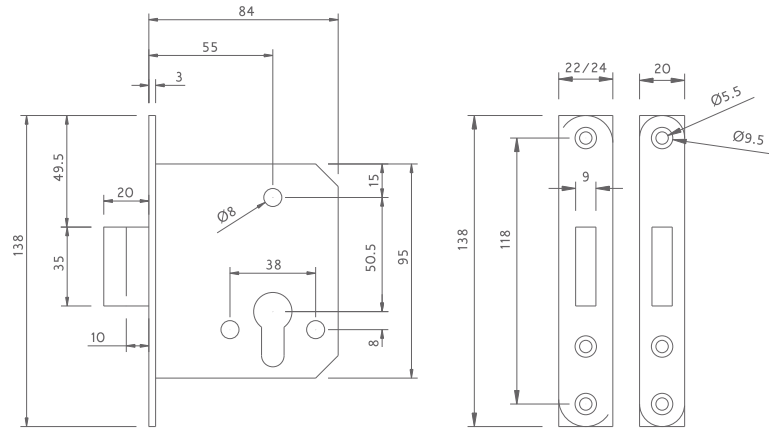
Angled striking plate



- Accessories:
- >handle ..... P01-16
  - >plate ..... P17-24



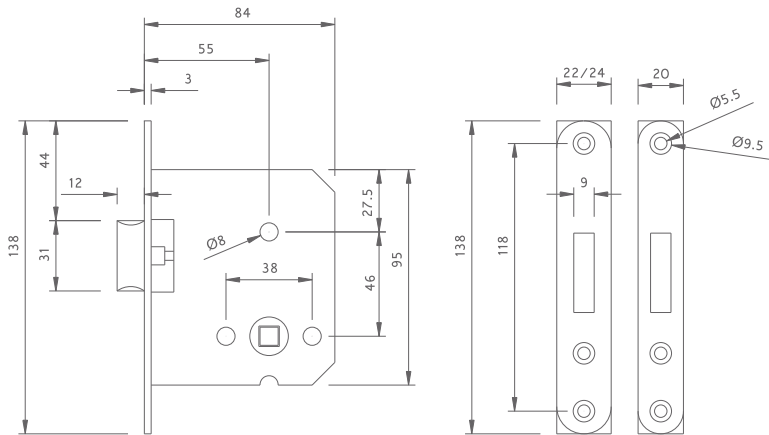
CIG.ML.112



>Area of application: For rebated or flush doors  
 >Material:  
 Forend and deadbolt: Stainless steel  
 Lock case: Steel  
 Bolt pocket: Plastic  
 >Closure: Prepared for profile cylinder  
 >Deadbolt: 2-turn  
 >Forend: Round or square  
 >Standard: EN 12209:2003

Supplied with:  
 Mortise lock 1pc  
 Striking plate 1pc  
 Bolt pockets 1pc  
 Fixing screws 1set

CIG.ML.113



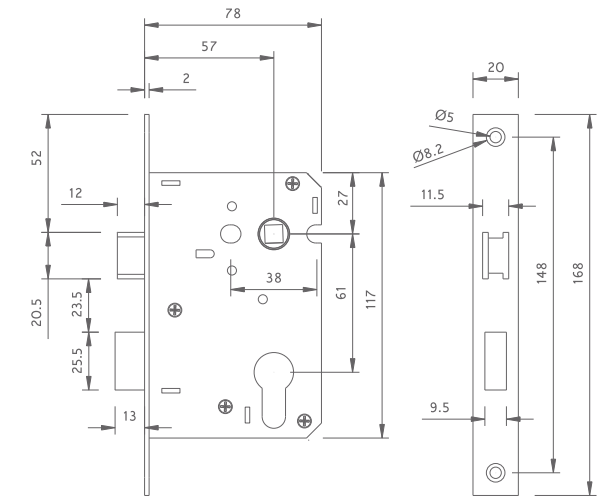
>Area of application: For rebated or flush doors  
 >Material:  
 Forend, follower and latchbolt : Stainless steel  
 Lock case: Steel  
 Bolt pocket: Plastic  
 >Closure: Prepared for spindle  
 >Forend: Round or square  
 >Lever follower: 8x8 mm  
 >Standard: EN 12209:2003

Supplied with:  
 Mortise lock 1pc  
 Striking plate 1pc  
 Bolt pockets 1pc  
 Fixing screws 1set

Note:  
 1. Forend width 20 mm for rebated doors  
 2. Forend width 22/24 mm for flush doors

Accessories:  
 >handle ..... P01-16  
 >plate ..... P17-24

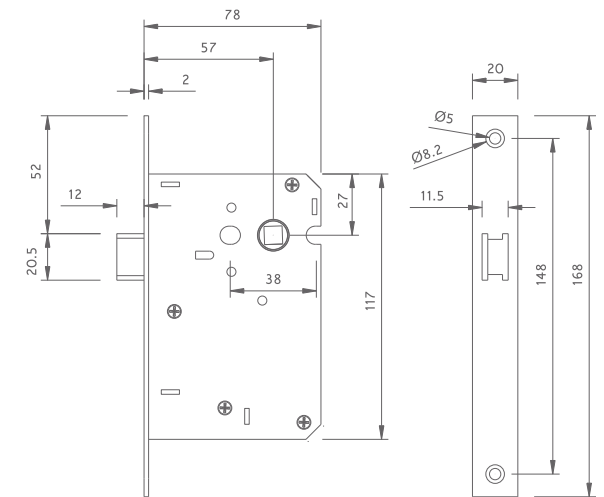
CIG.ML.114



>Area of application: For rebated or flush doors  
 >Material:  
 Forend, latchbolt and deadbolt: Stainless steel  
 Lock case, follower: zinc alloy  
 Bolt pocket: Plastic  
 >Closure: Prepared for profile cylinder  
 >Deadbolt: 1-turn  
 >Forend: Square  
 >Lever follower: 8x8 mm

Supplied with:  
 Mortise lock 1pc  
 Striking plate 1pc  
 Bolt pockets 1pc  
 Fixing screws 1set

CIG.ML.115



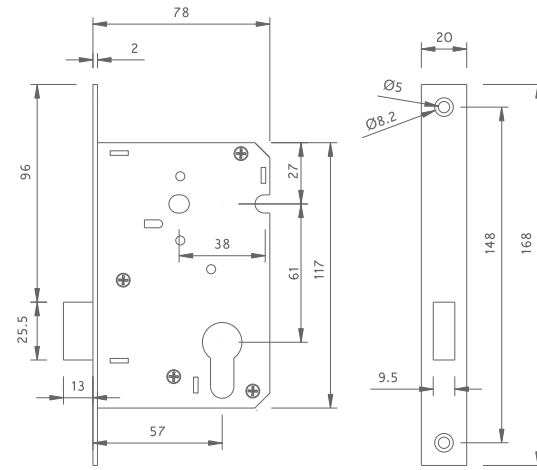
>Area of application: For rebated or flush doors  
 >Material:  
 Forend, latchbolt : Stainless steel  
 Lock case: zinc alloy  
 Bolt pocket: Plastic  
 >Closure: none  
 >Forend: Square

Supplied with:  
 Mortise lock 1pc  
 Striking plate 1pc  
 Bolt pockets 1pc  
 Fixing screws 1set

Accessories:  
 >handle ..... P01-16  
 >plate ..... P17-24



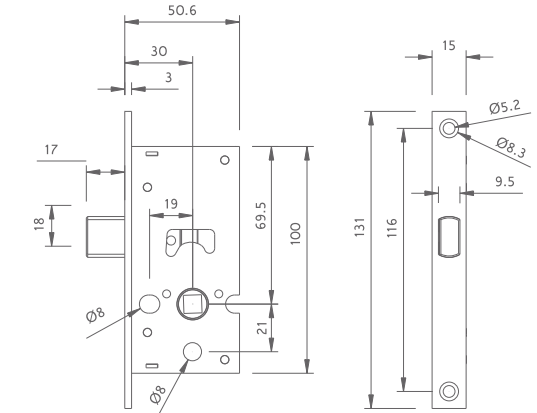
CIG.ML.115



>Area of application: For rebated or flush doors  
 >Material:  
 Forend, deadbolt: Stainless steel  
 Lock case: Steel  
 Bolt pocket: Plastic  
 >Closure: Prepared for profile cylinder  
 >Deadbolt: 1-turn  
 >Forend: Square

Supplied with:  
 Mortise lock 1pc  
 Striking plate 1pc  
 Bolt pockets 1pc  
 Fixing screws 1set

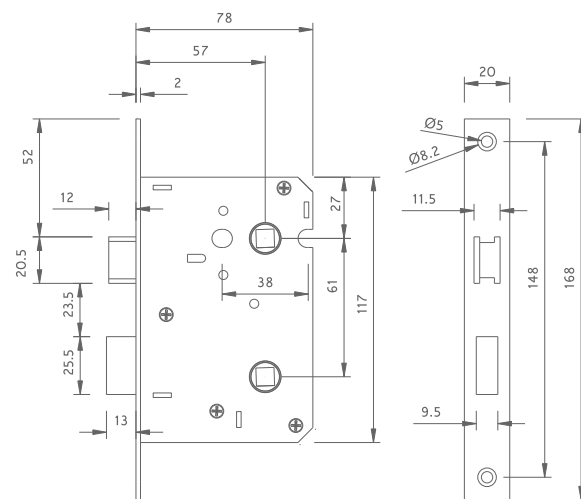
CIG.ML.117



>Area of application: For rebated or flush doors  
 >Material:  
 Forend, deadbolt: Stainless steel  
 Lock case: Steel  
 Bolt pocket: Plastic  
 >Closure: Prepared for profile cylinder  
 >Deadbolt: 1-turn  
 >Forend: Square

Supplied with:  
 Mortise lock 1pc  
 Striking plate 1pc  
 Bolt pockets 1pc  
 Fixing screws 1set

CIG.ML.116

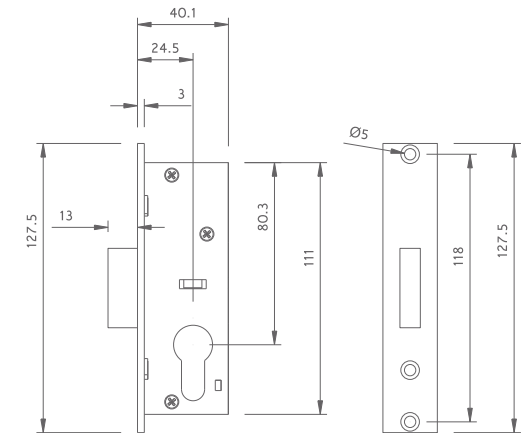


>Area of application: For rebated or flush doors  
 >Material:  
 Forend, latchbolt and deadbolt: Stainless steel  
 Lock case, follower: zinc alloy  
 Bolt pocket: Plastic  
 >Closure: Prepared for spindle  
 >Deadbolt: 1-turn  
 >Forend: Square  
 >Lever follower: 8x8 mm

Supplied with:  
 Mortise lock 1pc  
 Striking plate 1pc  
 Bolt pockets 1pc  
 Fixing screws 1set

Accessories:  
 >handle ..... P01-16  
 >plate ..... P17-24

CIG.ML.118

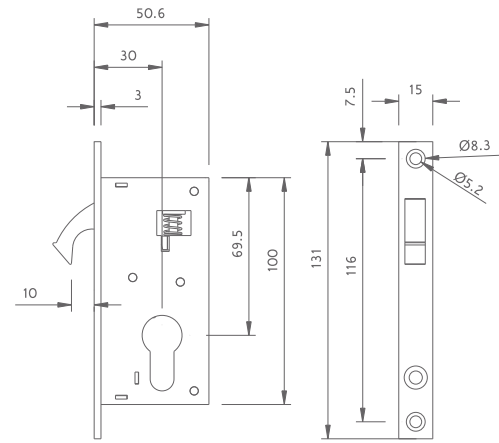


>Area of application: For rebated or flush doors  
 >Material:  
 Forend, ldeadbolt: Stainless steel  
 Lock case: Steel  
 Bolt pocket: Plastic  
 >Closure: Prepared for profile cylinder  
 >Deadbolt: 1-turn  
 >Forend: Square  
 >Lever follower: 8x8 mm

Supplied with:  
 Mortise lock 1pc  
 Striking plate 1pc  
 Bolt pockets 1pc  
 Fixing screws 1set

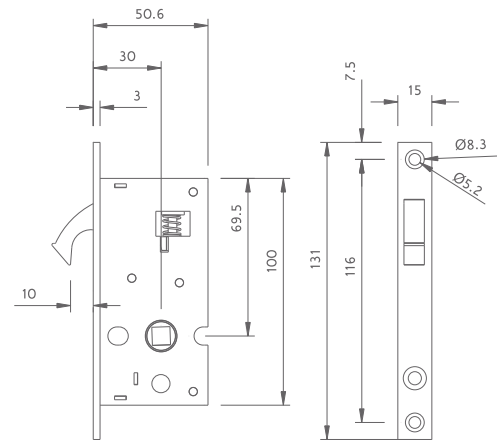
Accessories:  
 >handle ..... P01-16  
 >plate ..... P17-24

CIG.ML.119



- >Area of application: For rebated or flush doors
  - >Material:
    - Forend, hookbolt : Stainless steel
    - Lock case: Steel
    - Bolt pocket: Plastic
  - >Closure: Prepared for profile cylinder
  - >Forend: Square
- Supplied with:
    - Mortise lock 1pc
    - Striking plate 1pc
    - Bolt pockets 1pc
    - Fixing screws 1set

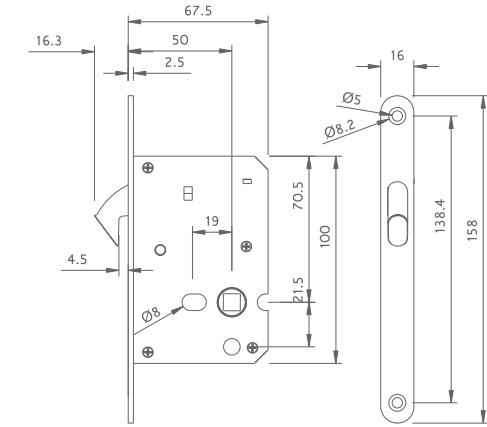
CIG.ML.120



- >Area of application: For rebated or flush doors
  - >Material:
    - Forend, hookbolt and follower: Stainless steel
    - Lock case: Steel
    - Bolt pocket: Plastic
  - >Closure: Prepared for spindle
  - >Forend: Square
  - >Lever follower: 8x8 mm
- Supplied with:
    - Mortise lock 1pc
    - Striking plate 1pc
    - Bolt pockets 1pc
    - Fixing screws 1set

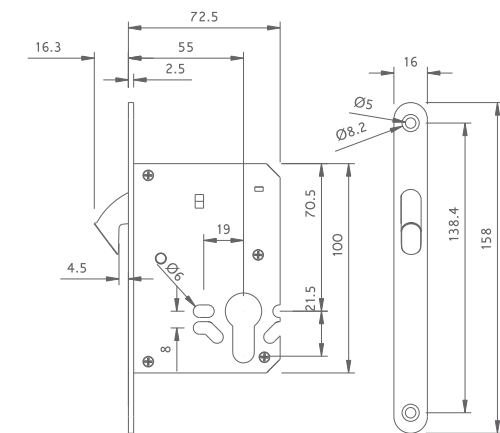
- Accessories:
- >handle ..... P01-16
  - >plate ..... P17-24

CIG.ML.121



- >Area of application: For rebated or flush doors
  - >Material:
    - Forend and follower: Stainless steel
    - hookbolt: zinc alloy
    - Lock case: Steel
    - Bolt pocket: Plastic
  - >Closure: Prepared for spindle
  - >Forend: Square
  - >Lever follower: 8x8 mm
- Supplied with:
    - Mortise lock 1pc
    - Striking plate 1pc
    - Bolt pockets 1pc
    - Fixing screws 1set

CIG.ML.122

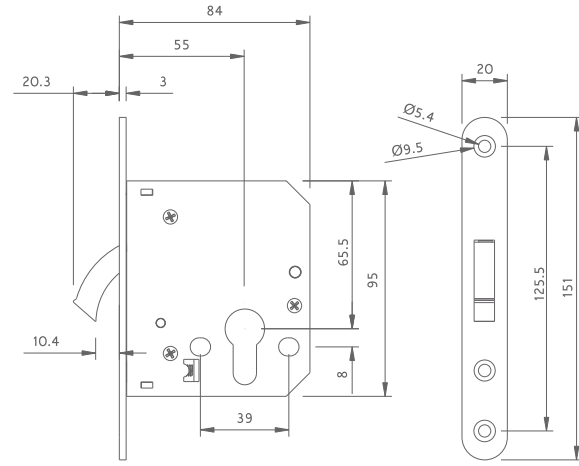


- >Area of application: For rebated or flush doors
  - >Material:
    - Forend : Stainless steel
    - hookbolt: zinc alloy I
    - Lock case: Steel
    - Bolt pocket: Plastic
  - >Closure: Prepared for profile cylinder
  - >Forend: Square
- Supplied with:
    - Mortise lock 1pc
    - Striking plate 1pc
    - Bolt pockets 1pc
    - Fixing screws 1set

- Accessories:
- >handle ..... P01-16
  - >plate ..... P17-24



CIG.ML.123



- >Area of application: For rebated or flush doors
- >Material:
  - Forend, hookbolt and deadbolt: Stainless steel
  - Lock case: Steel
  - Bolt pocket: Plastic
- >Closure: Prepared for profile cylinder
- >Forend: Round or square

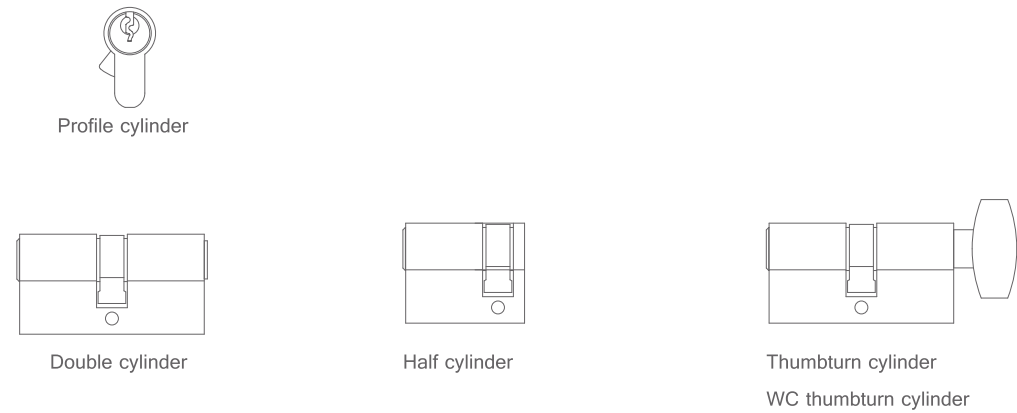
- Supplied with:
- Mortise lock 1pc
  - Striking plate 1pc
  - Bolt pockets 1pc
  - Fixing screws 1set

- Accessories:
- >handle ..... P01-16
  - >plate ..... P17-24



Terminology

Locking cylinders are categorized according to:



The definition of important components and characteristics of locking cylinders in this catalogue follows generally the terminology according to EN 1303 with DIN 18252/09-1999.

Security pass

General requirements on locking cylinders are defined in the EN 1303 and DIN 18252/09-1999 standards. These standards categorise locking cylinders into three grades which define the following characteristics:

Minimum number of pin tumblers:

Grade 1 and 2: 5 pin tumblers,  
grade 3: 6 pin tumblers

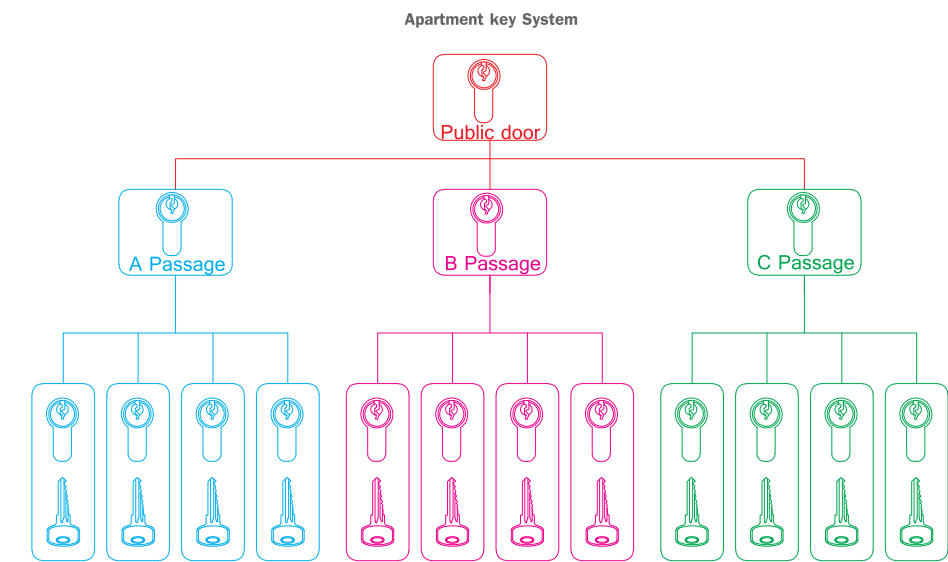
Minimum numbers of different key changes:

Grade 1 and 2: 30000 key changes,  
grade 3: 100000 key changes

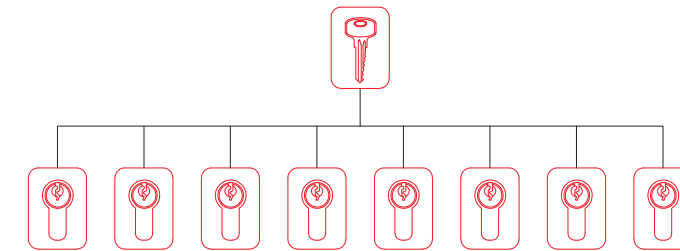
Master key system

Where one or more locking cylinder are not only operated by an individual key, but also by superior keys, so called master key system is created.

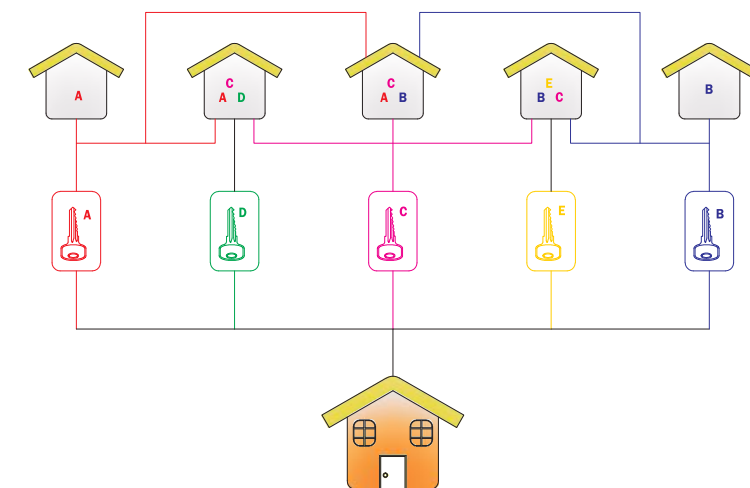
Master key system is usually used for apartment, office building, commercial space, warehouse and so on.



**KA KEY SYSTEM**  
A set of locks keyed-alike means that the same key can open all of the locks.



**Warehouse key System**  
In the system of warehouse key, different keys open different locks. In addition, some keys can be set to open a set of door locks in public use.

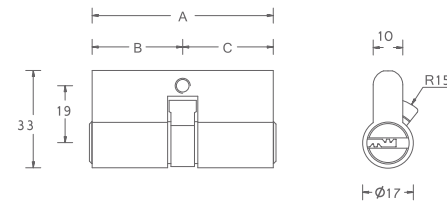




CIG.CY.101



DOUBLE CYLINDER

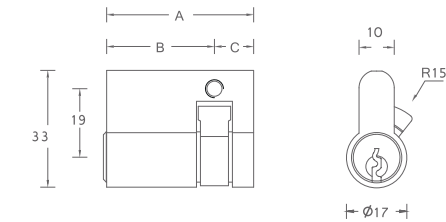


Art No.	Cylinder Length
CIG.CY.101 /50	50mm
CIG.CY.101 /60	60mm
CIG.CY.101 /65	65mm
CIG.CY.101 /70	70mm

CIG.CY.104



HALF CYLINDER



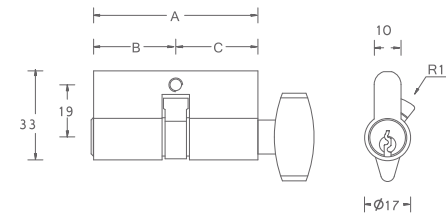
Art No.	Cylinder Length
CIG.CY.104 /50	40mm
CIG.CY.104 /60	45mm
CIG.CY.104 /65	50mm
CIG.CY.104 /70	55mm

CIG.CY.102



THUMBTURN CYLINDER

Half cylinder

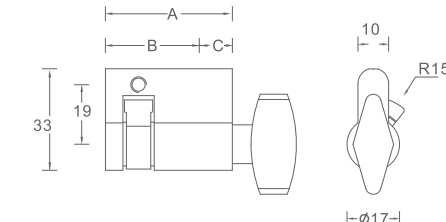


Art No.	Cylinder Length
CIG.CY.102 /50	50mm
CIG.CY.102 /60	60mm
CIG.CY.102 /65	65mm
CIG.CY.102 /70	70mm

CIG.CY.105



HALF PASSAGE LOCK CYLINDER

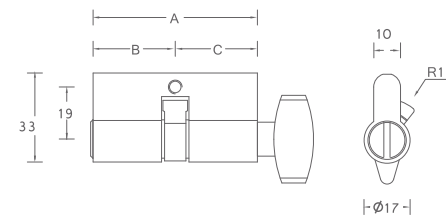


Art No.	Cylinder Length
CIG.CY.105 /50	40mm
CIG.CY.105 /60	45mm
CIG.CY.105 /65	50mm
CIG.CY.105 /70	55mm

CIG.CY.103



WC THUMBTURN CYLINDER

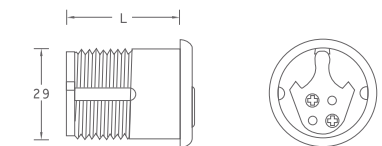


Art No.	Cylinder Length
CIG.CY.103 /50	50mm
CIG.CY.103 /60	60mm
CIG.CY.103 /65	65mm
CIG.CY.103 /70	70mm

CIG.CY.106



AMERICAN STYLE CYLINDER



Art No.	Cylinder Length
CIG.CY.106 /32	32mm
CIG.CY.106 /38	38mm
CIG.CY.106 /45	45mm
CIG.CY.106 /51	51mm

Material: Brass  
 Finish: SN/PB/AB/PVD  
 Closure: with different key changs  
 Lock systems are set up according to locking plans

Supplied with:  
 cylinder 1pc  
 New silver keys 3pcs  
 Fixing screw 1pc  
 Security pass 1pc

Material: Brass  
 Finish: SN/PB/AB/PVD  
 Closure: with different key changs  
 Lock systems are set up according to locking plans

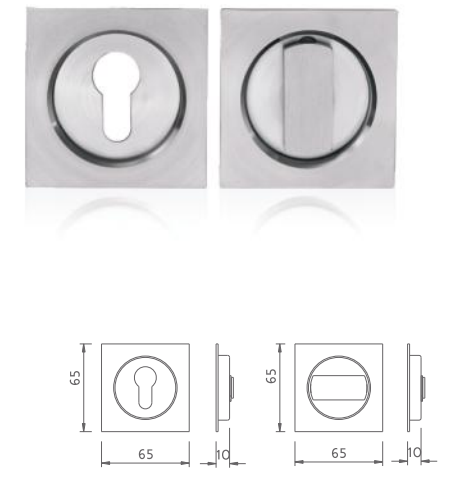
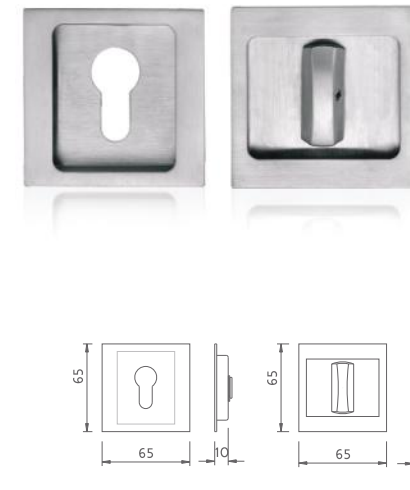
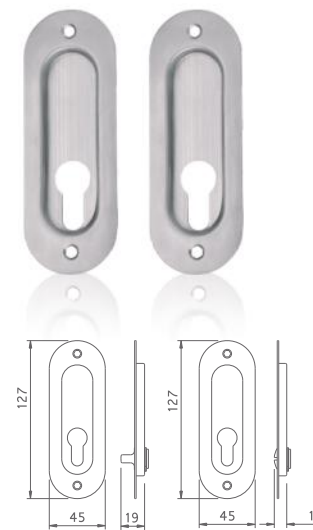
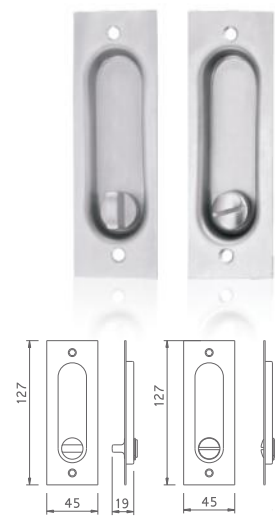
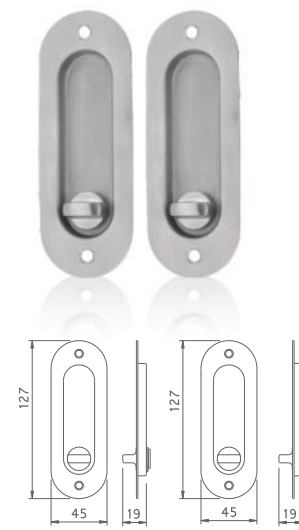
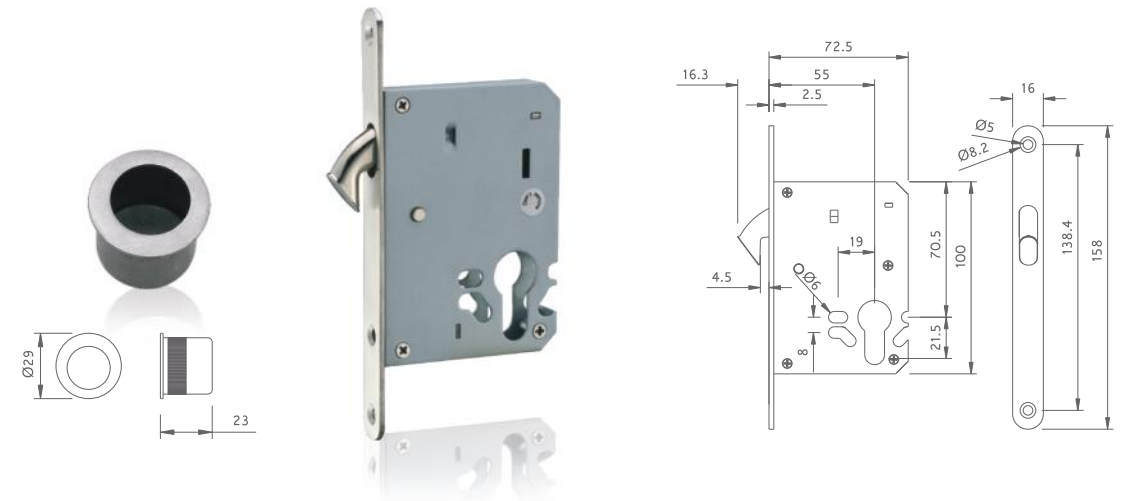
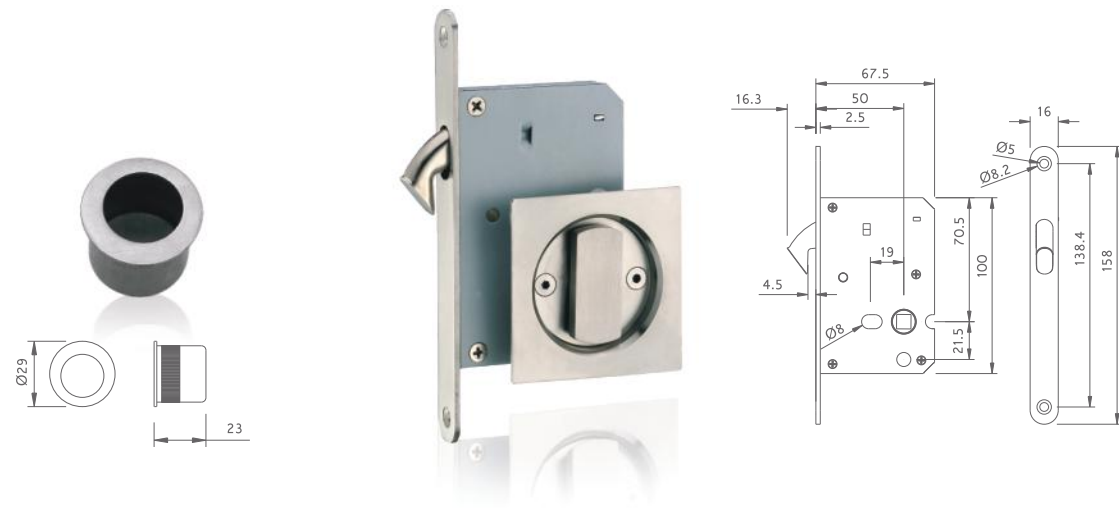
Supplied with:  
 cylinder 1pc  
 New silver keys 3pcs  
 Fixing screw 1pc  
 Security pass 1pc

# SLIDING DOOR FITTING

# SLIDING DOOR FITTING

CIG.ML.121

CIG.ML.122



CIG.KIT.101

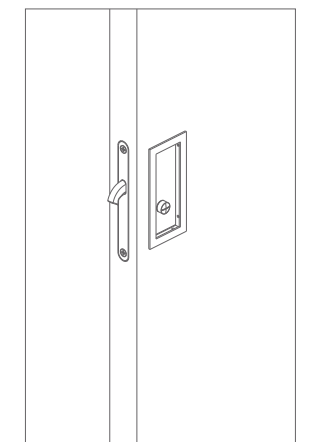
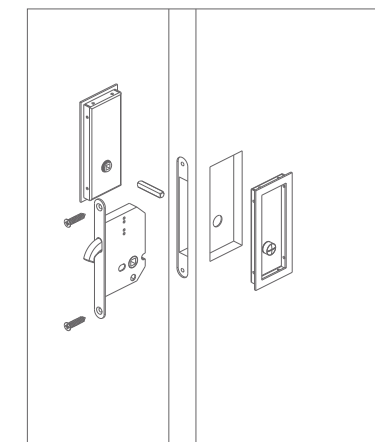
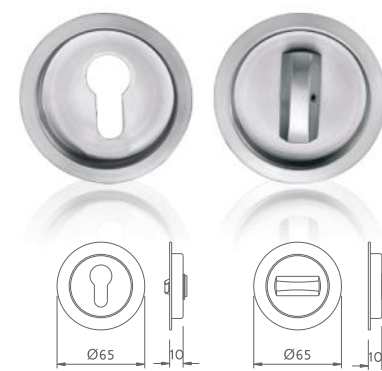
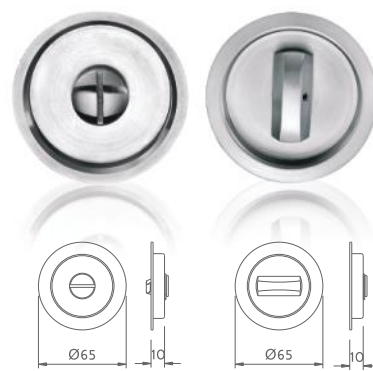
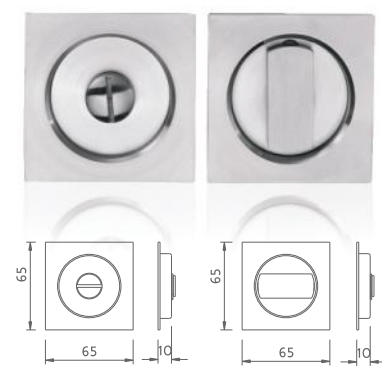
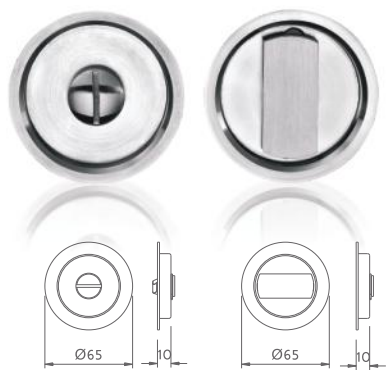
CIG.KIT.102

CIG.KIT.106

CIG.KIT.108

CIG.KIT.109

CIG.KIT.110



CIG.KIT.104

CIG.KIT.105

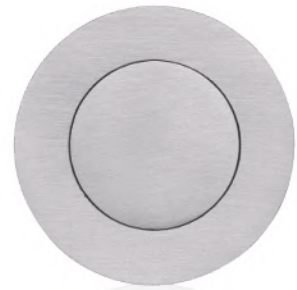
CIG.KIT.107

CIG.KIT.111

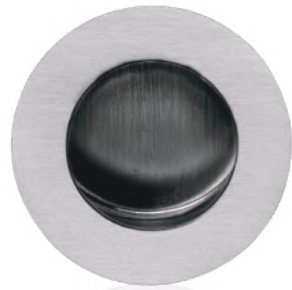


# SLIDING DOOR FITTING

CIG.FH.101SS

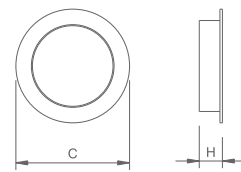
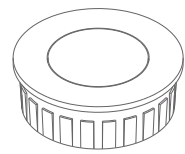


CIG.FH.102SS

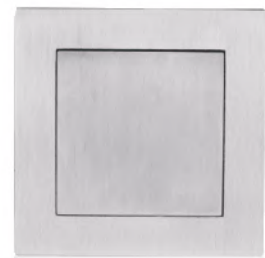


Art. No.	Ø	H
CIG.FH.101 / 50	50	17
CIG.FH.101 / 75	75	17

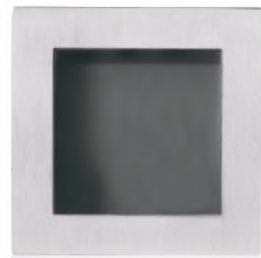
Art. No.	Ø	H
CIG.FH.102 / 50	50	17
CIG.FH.102 / 75	75	17



CIG.FH.103SS

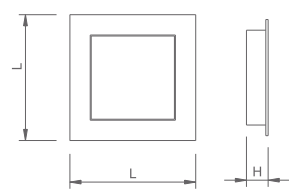
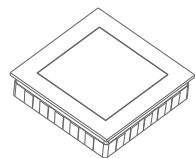


CIG.FH.104SS



Art. No.	C	L	H
CIG.FH.103 / 50	50	50	17
CIG.FH.103 / 75	75	75	17

Art. No.	C	L	H
CIG.FH.104 / 50	50	50	17
CIG.FH.104 / 75	75	75	17

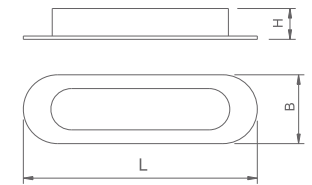
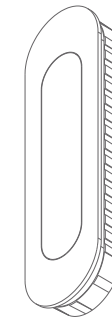


# SLIDING DOOR FITTING

CIG.FH.105SS



CIG.FH.106SS



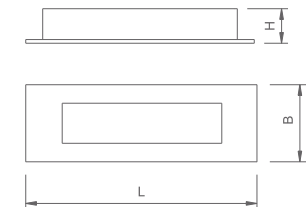
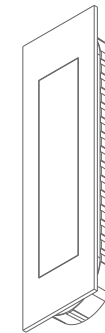
Art. No.	B	L	H
CIG.FH.105 / 155	45	155	17

Art. No.	B	L	H
CIG.FH.106 / 155	45	155	17

CIG.FH.107SS

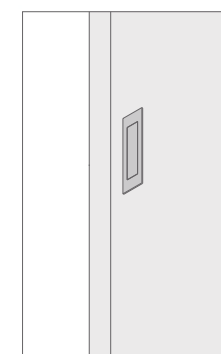
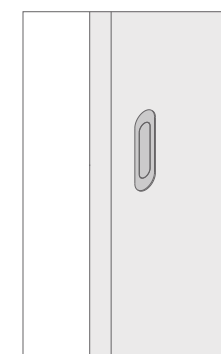


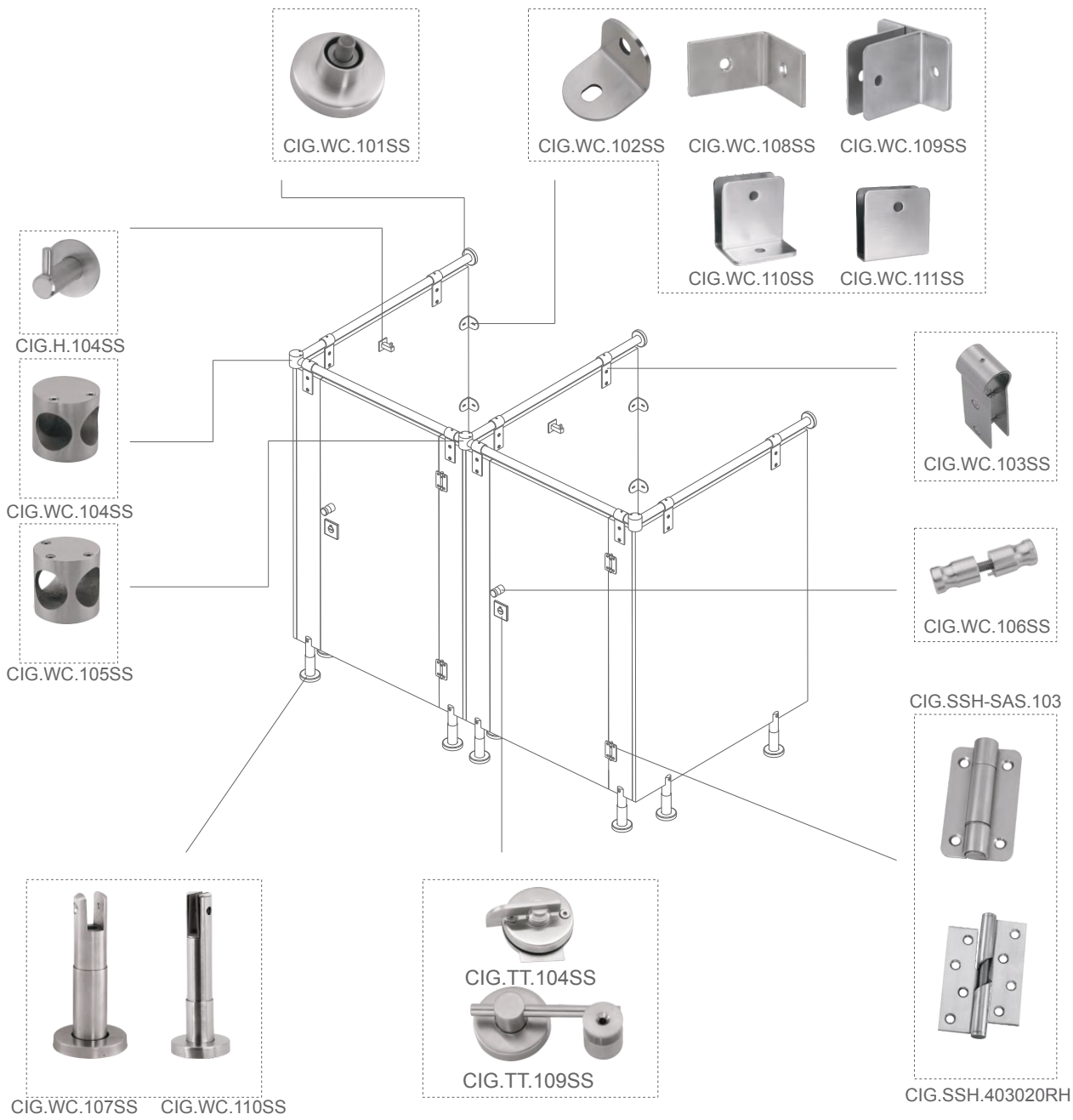
CIG.FH.108SS



Art. No.	B	L	H
CIG.FH.107 / 155	45	155	17

Art. No.	B	L	H
CIG.FH.108 / 155	45	155	17

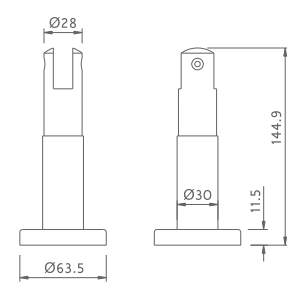




CIG.WC.107SS



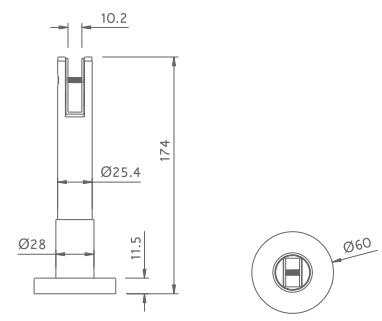
stainless steel WC CUBICLE feet  
height adjustable  
available on hollow and solid



CIG.WC.110SS



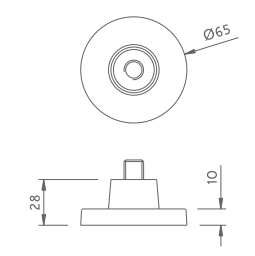
stainless steel WC CUBICLE feet  
height adjustable



CIG.WC.101SS



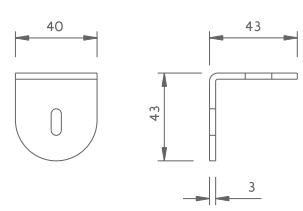
stainless steel wall mounting bracket



CIG.WC.102SS



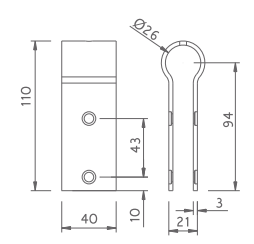
stainless steel wall mounting angle



CIG.WC.103SS



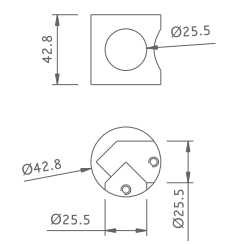
stainless steel tube connector



CIG.WC.104SS



stainless steel tube connector

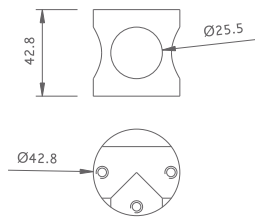


# TOILET CUBICLE

CIG.WC.105SS



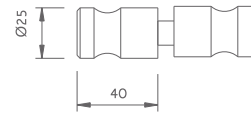
stainless steel tube connector



CIG.WC.106SS



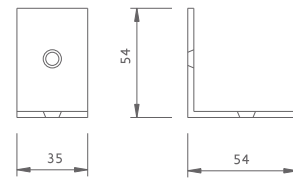
stainless steel knob



CIG.WC.108SS



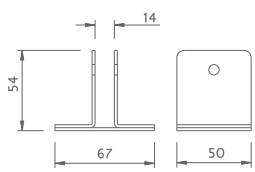
stainless steel L shape angle



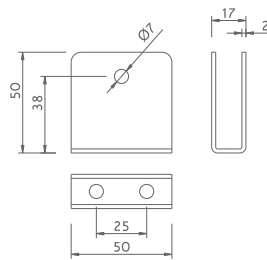
CIG.WC.109SS



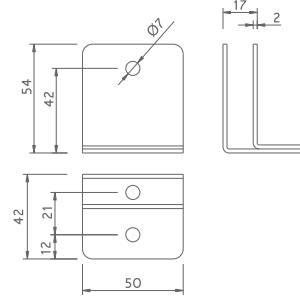
stainless steel T shape angle



CIG.WC.110SS



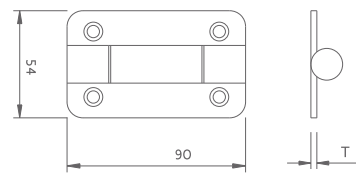
CIG.WC.111SS



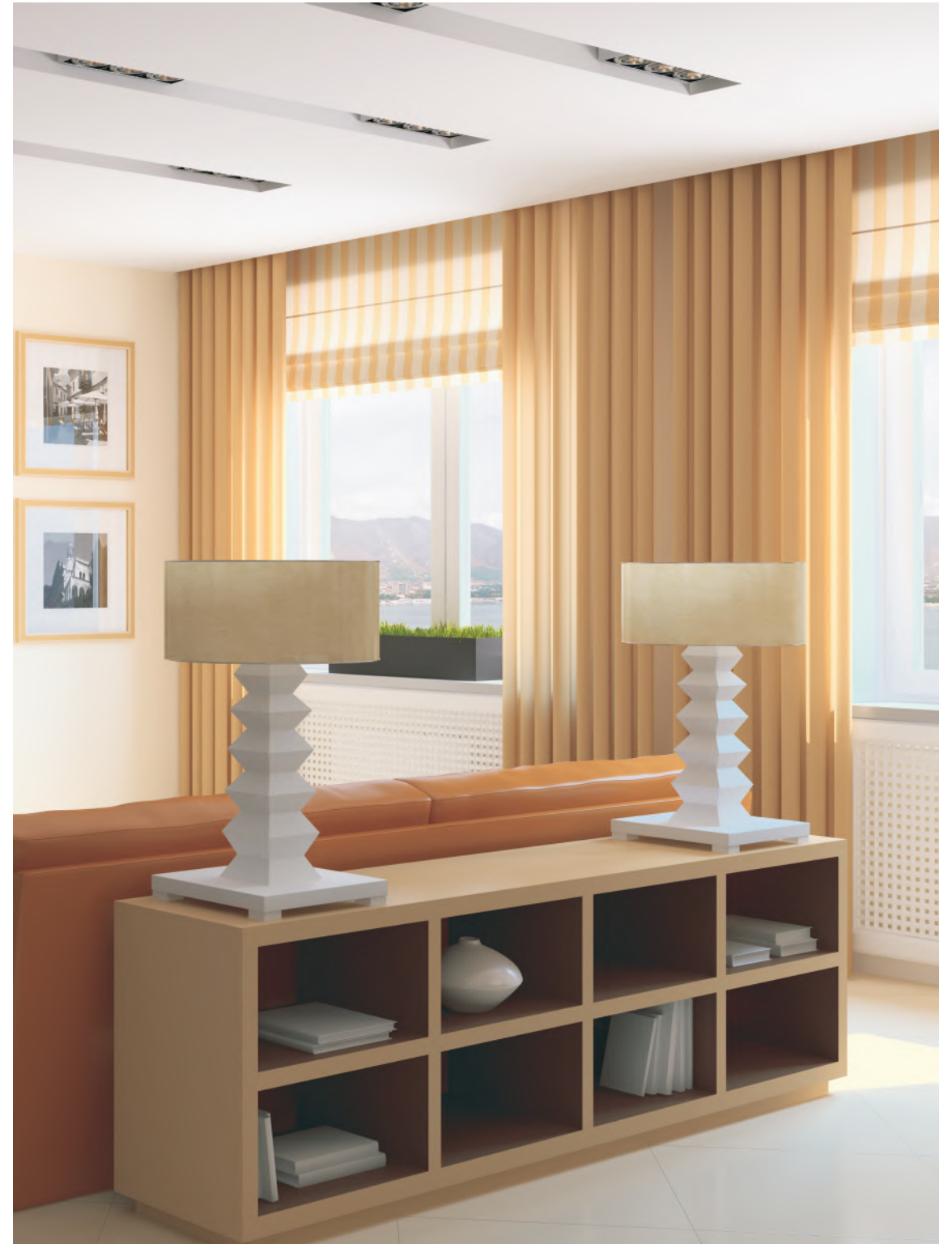
CIG.SSH-SAS.103



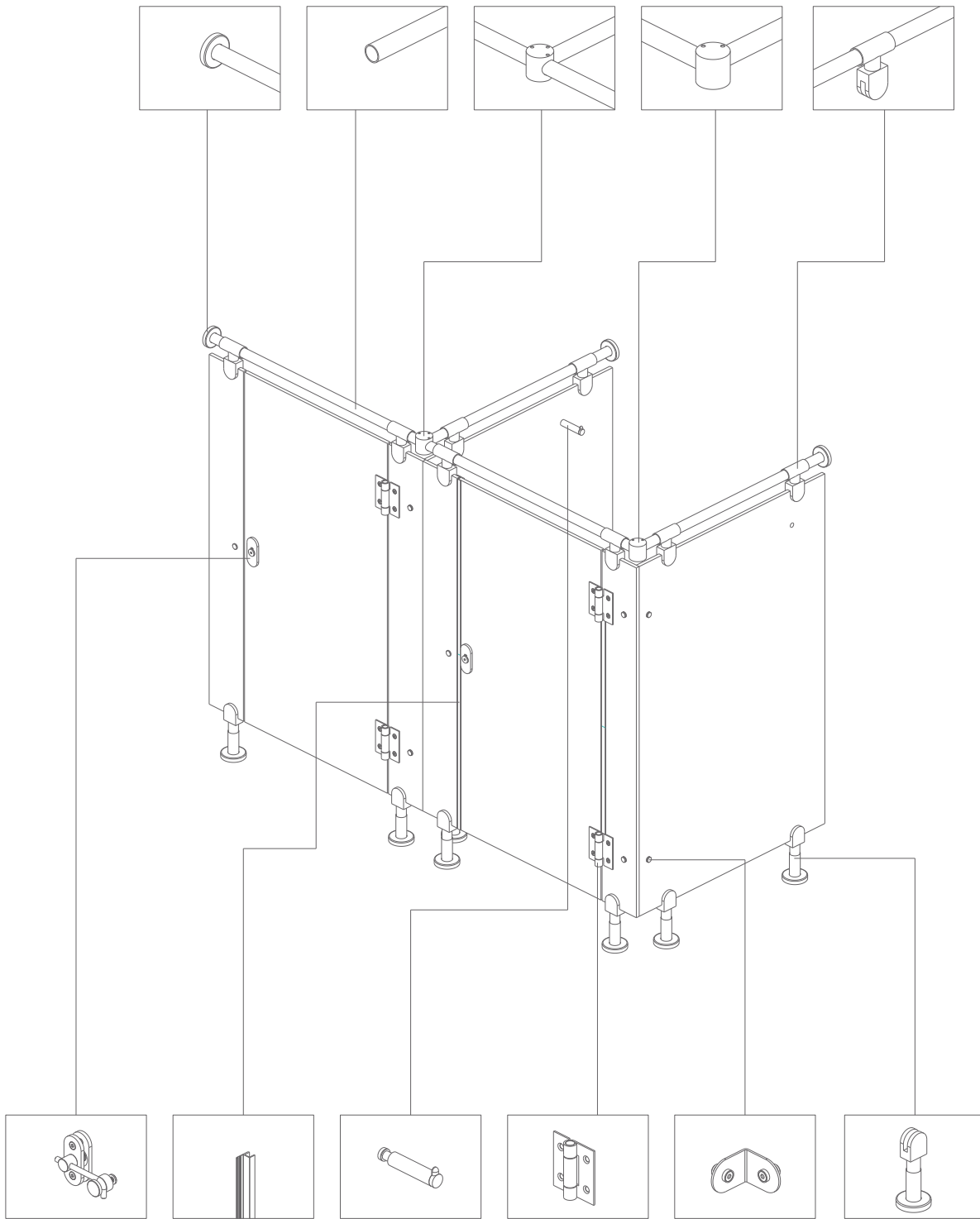
stainless steel hinge with spring or without spring



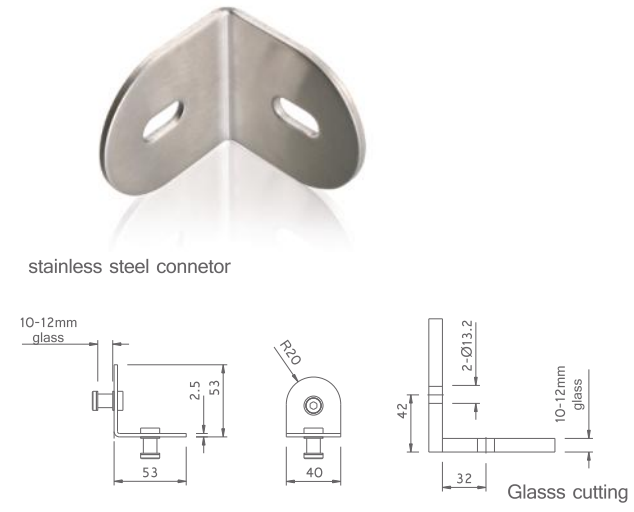
# TOILET CUBICLE



77  
4.a



CIG.WC.201SS



CIG.WC.202SS



CIG.WC.203SS



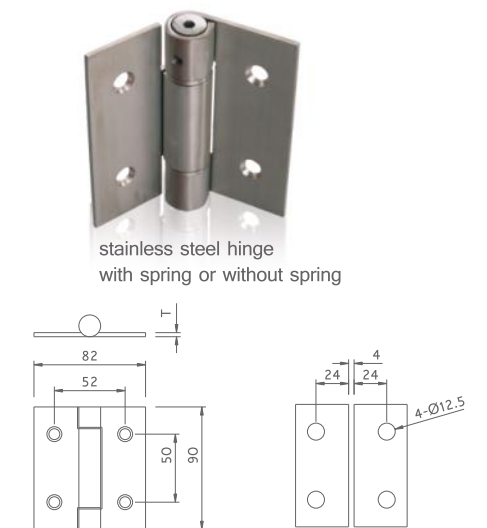
CIG.WC.204SS



CIG.WC.205SS



CIG.WC.206SS



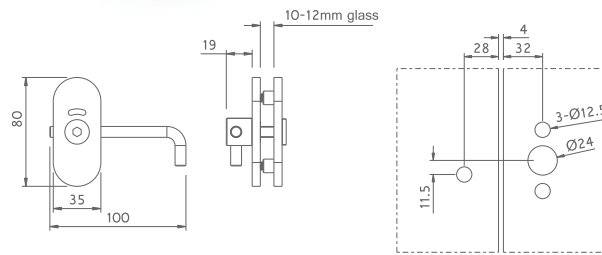


# TOILET CUBICLE

CIG.WC.207SS



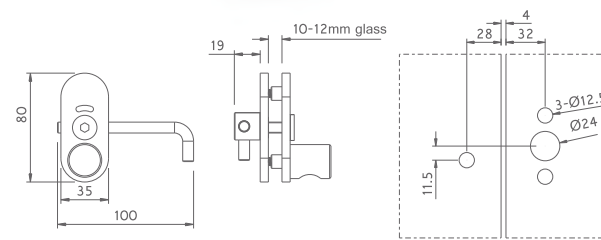
stainless steel indicator



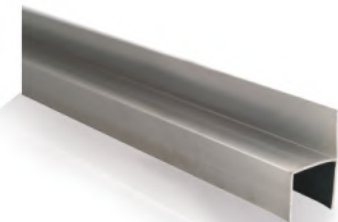
CIG.WC.208SS



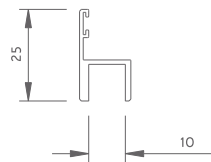
stainless steel indicator



CIG.WC.209AL



Aluminium profile for edge, 12mm

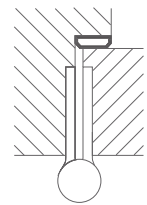


# DOOR HINGE

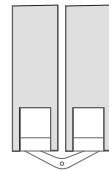
The hinges in this catalogue are divided into the following groups:

- Butt hinges
- For interior doors
- Spring hinges for interior doors
- Double action spring hinges for interior doors
- Concealed mortise hinges

The section frame and wing parts contains individual components of door hinges, where only the combination thereof make up a complete door hinge. 2-piece and 3-piece frame and wing parts can be combined into door hinges for steel and for wooden frames. Butt hinges are screwed onto the frame or door panel which have been mortised, or screwed to the door construction.



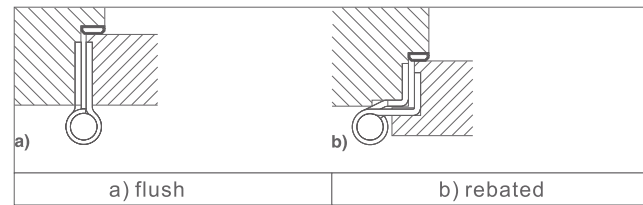
Concealed mortise hinges are mounted so that they are not visible when the door is closed.



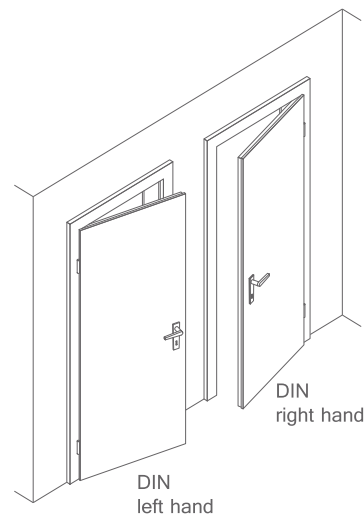
Concealed mortise hinge

**Installation situation**

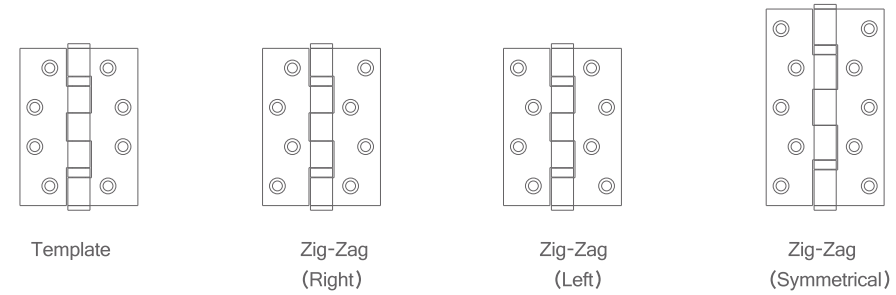
The installation situation of a door includes the door rebate, the frame material, the type of frame as well as the opening direction of the door. The difference between flush and rebated doors is explained in the following illustrations.



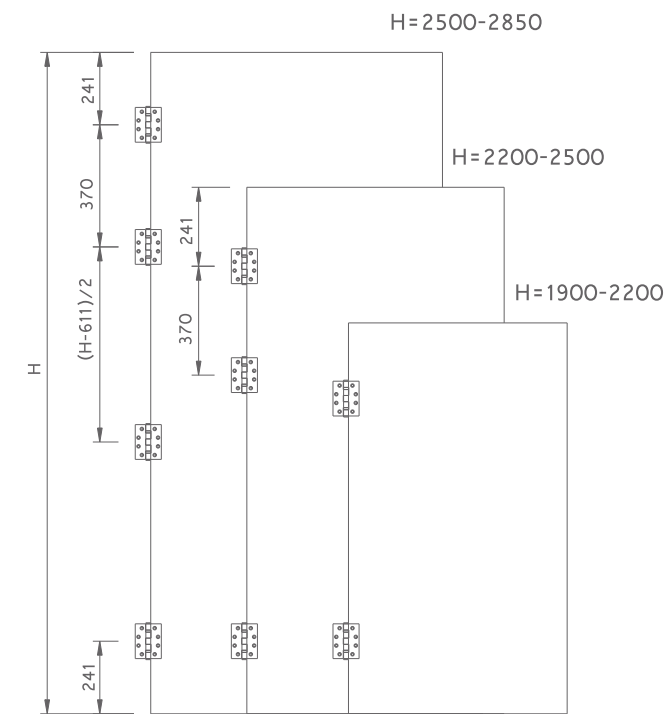
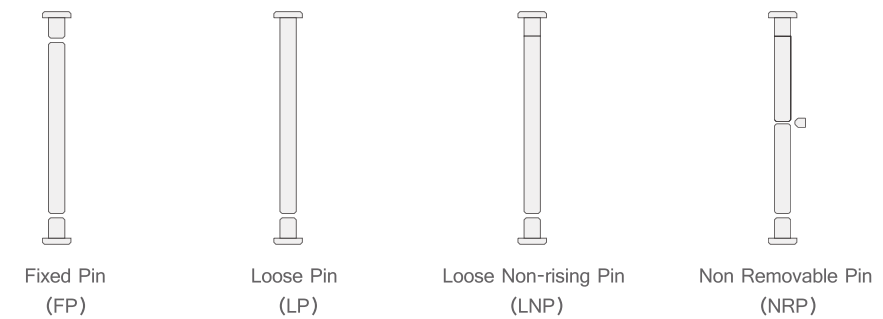
The door panels are fitted to a longitudinal edge of the frame with hinged doors. The opening direction determines left or right hand doors. It is important, on which side the door is fitted. When choosing a door hinge, the opening direction of the door must be considered, Drill-in hinge as not all door hinges can be used left or right hand.



**Hole Options:**



**PIN Options:**

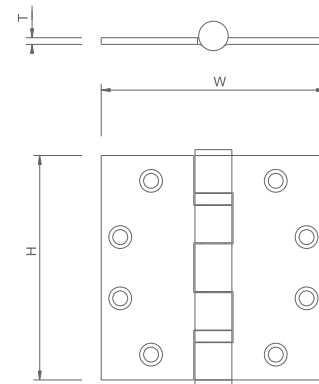


- recommendation: 3 pieces per door**
- 2.0mm hinges: 25~40kgs per door
  - 2.5mm hinges: 40~60kgs per door
  - 3.0mm hinges: 60~80kgs per door
  - 3.5mm hinges: 80~120kgs per door
  - 4.0mm hinges: 120~150kgs per door



# DOOR HINGE

## ANSI HINGES



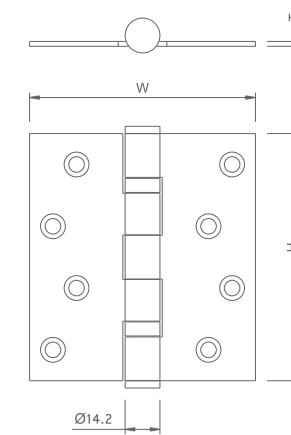
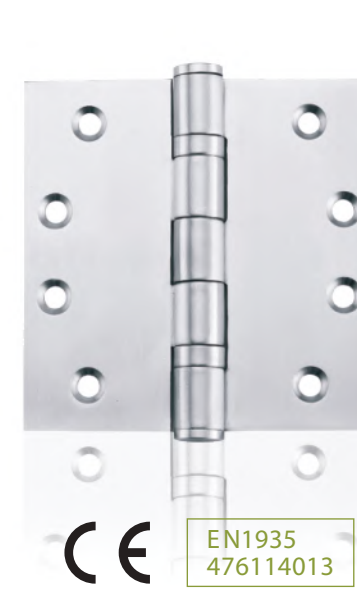
Art No	L	W	T
SSH454034-2BB	4.5"	4"	3.4
SSH454534-2BB	4.5"	4.5"	3.4
SHH504534-2BB	5.0"	4.5"	3.4
SHH454046-4BB	4.5"	4.0"	4.6
SHH454546-4BB	4.5"	4.5"	4.6
SHH504546-4BB	5"	4.5"	4.6

- > Applicable rang: Wooden and metal frames
- > Material: Stainless steel
- > Finish: SSS/PSS/PVD/AB
- > Standard: ANSI /BHMA A 156.1
- > Class: grade 1

Pls point it out when order:  
 >For wooden or metal door usage  
 >Hole shape: Template  
 >Pin type: Fix pin, Loose Pin, Loose non-rising pin, Non-removable pin

# DOOR HINGE

## EN HINGES



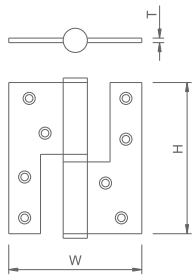
Art No	L	W	T
SSH302020-PN	3"	2"	2
SSH303020-PN	3"	3"	2
SSH302520-PN	3"	2.5"	2
SSH403020-PN	4"	3"	2
SSH403030-PN	4"	3"	3

Art No	L	W	T
SSH302520-2BB/4BB	3"	2.5"	2
SSH403020-2BB/4BB	4"	3"	2
SSH403025-2BB/4BB	4"	3"	2.5
SSH403030-2BB/4BB	4"	3"	3
SSH404025-2BB/4BB	4"	4"	2.5
SSH404030-2BB/4BB	4"	4"	3
SSH503030-2BB/4BB	5"	3"	3
SSH503530-2BB/4BB	5"	3.5"	3
SSH504030-2BB/4BB	5"	4"	3

- > Applicable rang: Wooden and metal frames
- > Material: Stainless steel
- > Finish: SSS/PSS/PVD/AB
- > Standard: EN 1935:2002
- > Class: 476114013

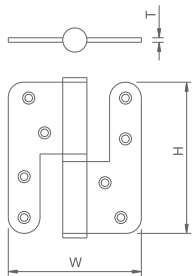
Pls point it out when order:  
 >For wooden or metal door usage  
 >Hole shape: Template, Left Zig-zag, Right Zig-zag, Symmetrical zig-zag.  
 >Pin type: Fix pin, Loose Pin, Loose non-rising pin, Non-removable pin  
 >Ball Bearing Number: 4BB, 2BB or none

# DOOR HINGE



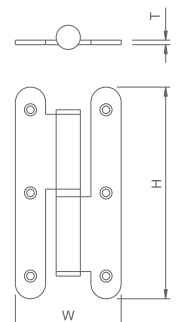
Art No.	SIZE(LxWxT)
CIG.SSH.L1.101	65x52x2
CIG.SSH.L1.102	75x63x2
CIG.SSH.L1.103	90x65x2.5
CIG.SSH.L1.104	100x88x2.5
CIG.SSH.L1.105	100x88x3

stainless steel lift off hinge



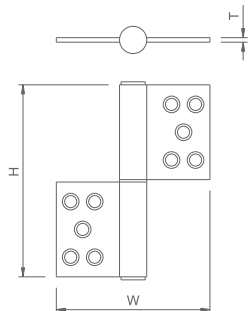
Art No.	SIZE(LxWxT)
CIG.SSH.L2.101	100x88x2.5
CIG.SSH.L2.102	100x88x3
CIG.SSH.L2.103	85x74x2.5

stainless steel lift off hinge



Art No.	SIZE(LxWxT)
CIG.SSH.L3.101	95x54x2
CIG.SSH.L3.102	100x55x2
CIG.SSH.L3.103	110x54x2
CIG.SSH.L3.104	110x54x2.5
CIG.SSH.L3.105	140x60x2.5
CIG.SSH.L3.106	140x70x3

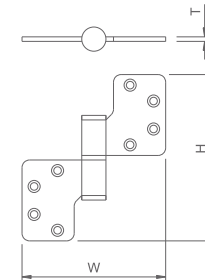
stainless steel lift off hinge



Art No.	SIZE(LxWxT)
CIG.SSH.L4.101	100x75x2.5
CIG.SSH.L4.102	100x88x3
CIG.SSH.L4.103	127x85x3
CIG.SSH.L4.104	127x100x3

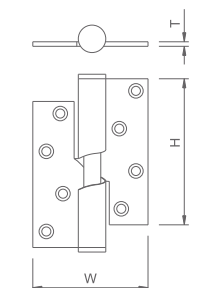
stainless steel lift off hinge

# DOOR HINGE



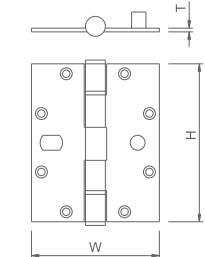
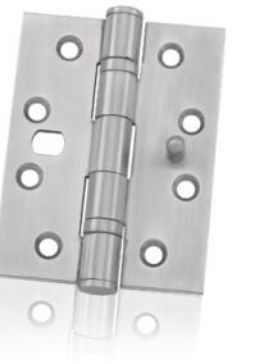
Art No.	SIZE(LxWxT)
CIG.SSH.L5.101	110x95x3

stainless steel lift off hinge



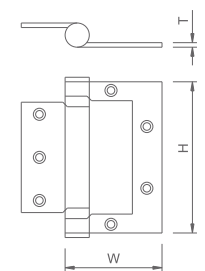
Art No.	SIZE(LxWxT)
CIG.SSH.403020RH	4"X3"X2
CIG.SSH.403030RH	4"X3"X3
CIG.SSH.302520RH	3"X2.5"X2

stainless steel rising hinge



Art No.	SIZE(LxWxT)
CIG.SSH.403030S01.2BB	4"X3"X3
CIG.SSH.404030S01.2BB	4"X4"X3
CIG.SSH.503530S01.2BB	5"X3.5"X3

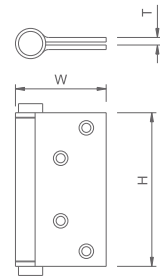
stainless steel security pin hinge



Art No.	SIZE(LxWxT)
CIG.SSH.FH01.101	100x70x2
CIG.SSH.FH.102	127x76x2.5

stainless steel flush hinge

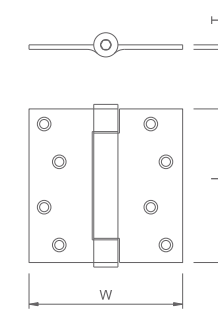
# DOOR HINGE



stainless steel single action spring hinge

Art No.	SIZE(LxWxT)
CIG.SSH.SAS01.101	4"
CIG.SSH.SAS01.102	5"
CIG.SSH.SAS01.103	6"

# DOOR HINGE



stainless steel single action spring hinge

Art No.	SIZE(LxWxT)
CIG.SSH.SAS02.101	4"x4"x3
CIG.SSH.SAS02.102	4"x3"x3
CIG.SSH.SAS02.103	4"x3"x2.5

**Loosen:**

Slacken safety lock screw on the side of the knuckle.  
Press down firmly and simultaneously turn the hexagon socket screw in the knuckle anti-clockwise. Repeat this action until the hinge is completely loosened. Then install the hinges.

**Tighten:**

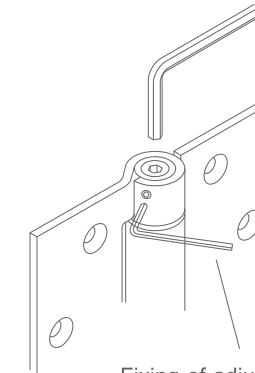
Turn the hexagon socket screw in the knuckle clockwise and set spring force of all hinges equally as required.

Re-tighten safety lock screw.

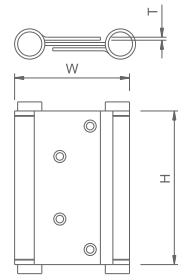
**Note:**

1. Door weight: < 60 kg with 3 door hinges
- 2.

Adjustment of spring force

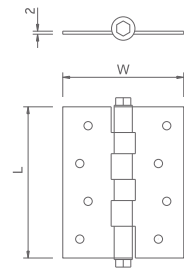


Fixing of adjusted spring force



stainless steel double action spring hinge

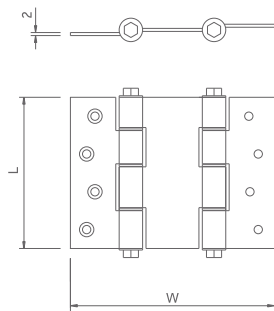
Art No.	SIZE(LxWxT)
CIG.SSH.DAS01.101	4"
CIG.SSH.DAS01.102	5"
CIG.SSH.DAS01.103	6"



stainless steel single action spring hinge heavy duty

Art No.	SIZE(LxWxT)	MAX WEIGHT
CIG.SHH.SAS03.101	100x80x2MM	25 KG
CIG.SHH.SAS03.102	150x80x2MM	40 KG
CIG.SHH.SAS03.103	180x80x2MM	60 KG

Note: Max weight with 3pcs



stainless steel double action spring hinge heavy duty

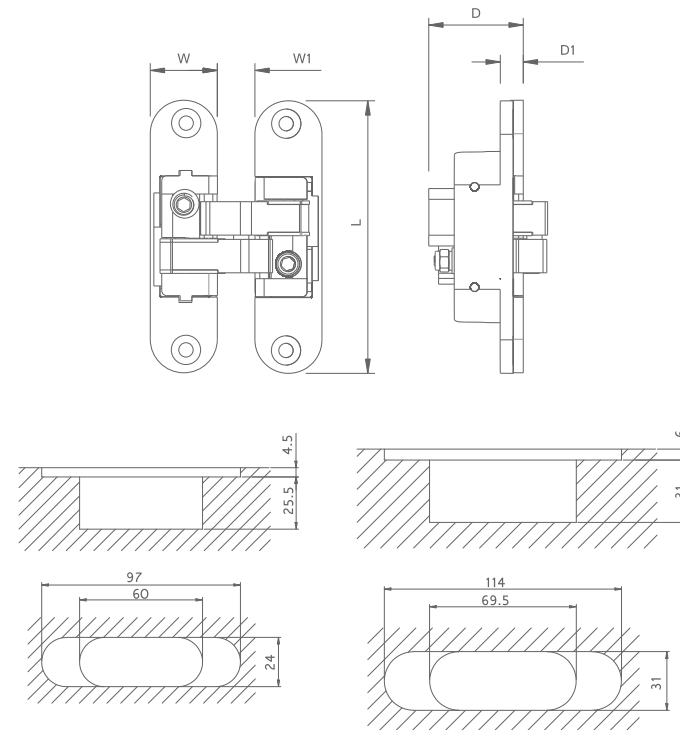
Art No.	SIZE(LxWxT)	MAX WEIGHT
CIG.SHH.DAS03.101	100x135x2MM	25 KG
CIG.SHH.DAS03.102	150x135x2MM	40 KG
CIG.SHH.DAS03.103	180x135x2MM	60 KG

# DOOR HINGE



3D adjustable invisible hinge

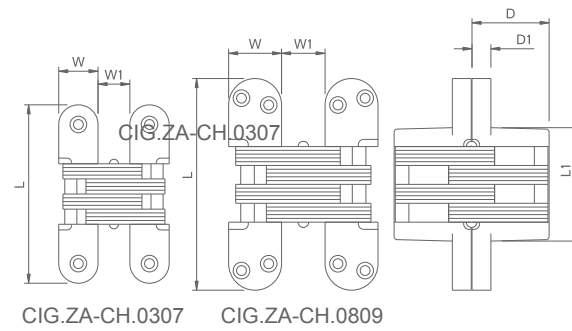
- >Area of application: For wooden frames, for flush wooden interior doors
- > Door weight: <40 kg or 60 kg with 3 door hinges
- > Opening angle: <180°
- > Door width: >600 mm/<1,000 mm
- > Door thickness: >30 mm
- > Size: 95 mm or 111.5mm
- > Adjustment facility: Continuously 3D adjustable: Height, side and closing pressure ± 1 mm



Art NO.	L	W	W1	D	D1	Max weight
CIG.CH.115	95	23.3	9	25.5	4.5	40KG
CIG.CH.116	111.5	29	16	31	6	60KG



zinc alloy conceal hinge



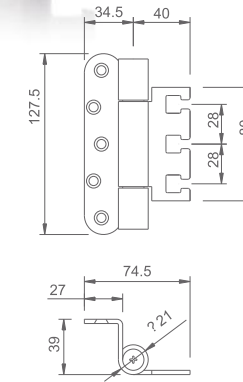
Art NO.	L	L1	W	W1	D	D1	Max weight
CIG.ZA-CH.0307							
CIG.ZA-CH.03	45	19	13	9	19.5	6	10 KG
CIG.ZA-CH.04	60	31	13	8	19.5	6	20 KG
CIG.ZA-CH.05	70	34	16	11	23.5	7.5	20 KG
CIG.ZA-CH.06	95	51	19	13	28	10.5	20 KG
CIG.ZA-CH.07	118	65	25	17	38	12	40 KG
CIG.ZA-CH.08	118	62	28	22	42	10.5	40 KG
CIG.ZA-CH.09	140	75	35	28	51	12	60 KG

Note: Max weight with 3pcs

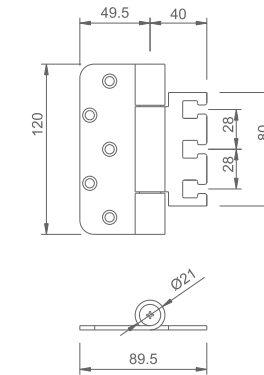
# DOOR HINGE



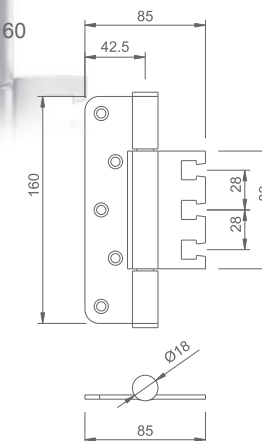
CIG.GA101-120A



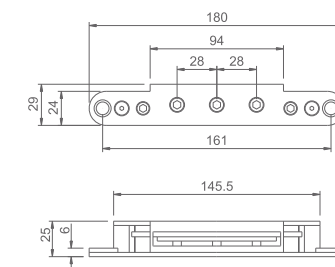
CIG.GA101-120



CIG.GA101-160

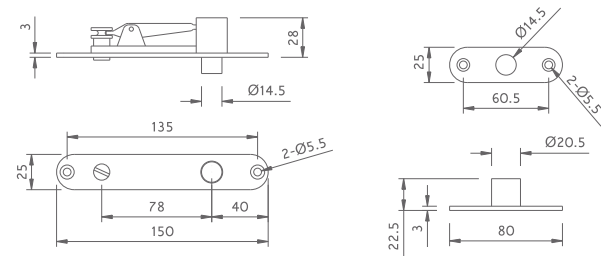


CIG.GA101-180

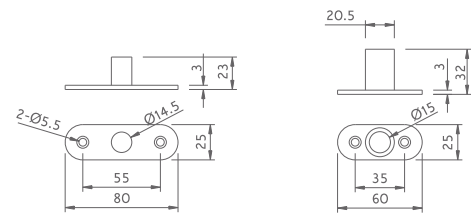


# DOOR HINGE

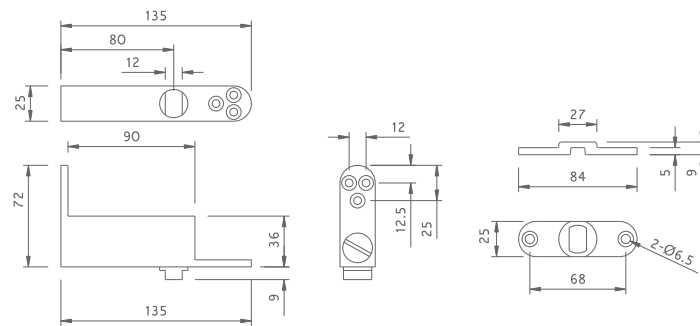
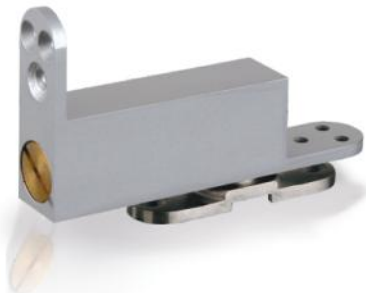
CIG.FS.110  
stainless steel top pivot, adjustable



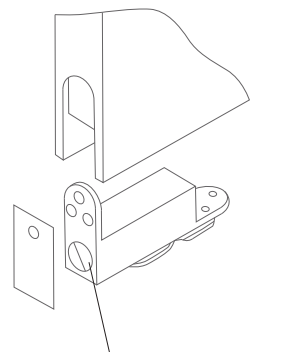
CIG.FS.112  
stainless steel bottom pivot



CIG.FS.111  
Aluminium floor spring, can stop at 90 degree

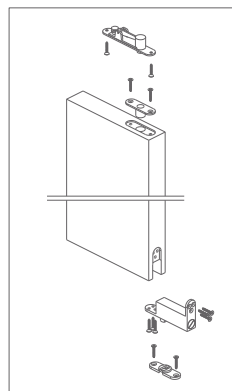


Can Stop At 90 Degree  
Each Side 90o Hold Open  
Adjustable Spring Closing Force  
Max. Door Width 900mm.  
Max. Weight Up To 40 Kg.  
Thickness 35-45mm.

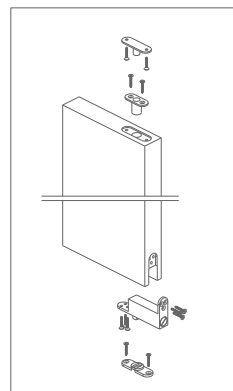


Adjustable spring closing force

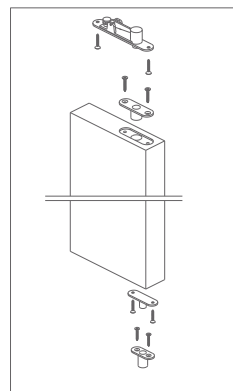
Option 1:



Option 2:

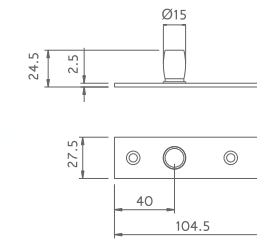


Option 3:

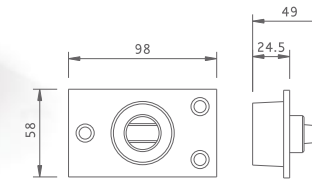


# DOOR HINGE

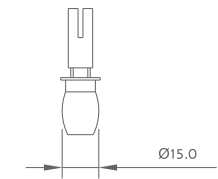
CIG.LO.117  
Stainless steel top pivot  
with plate fixing to frame



CIG.LO.119  
Stainless steel floor pivot

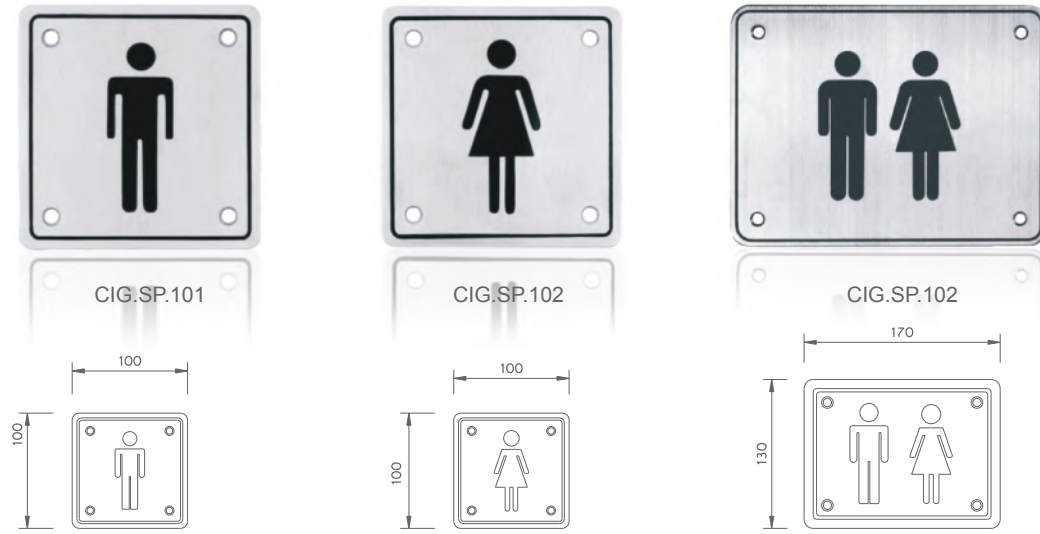


CIG.LO.118  
Stainless steel top pivot  
fixing to frame





SYMBOL



CIG.SP.107



CIG.SP.108



CIG.SP.109



CIG.SP.111



CIG.SP.112



CIG.SP.103



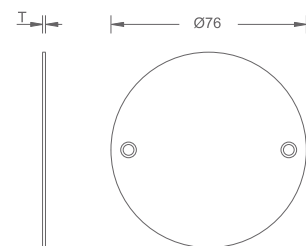
CIG.SP.110



CIG.SP.114



CIG.SP.115

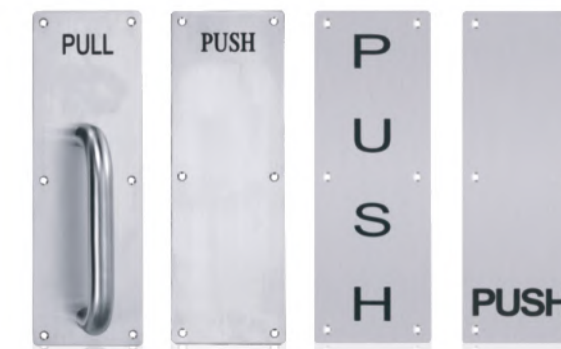
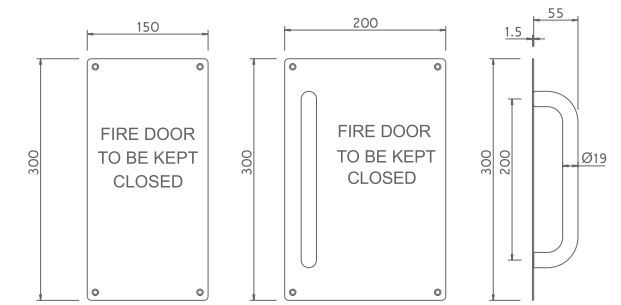


Note:  
Size and pattern can be produced accordingly  
Pattern: Silk-screen & Erosion are optional  
Mounting options: Visible fixing with screws;  
Invisible fixing with double adhesive tape

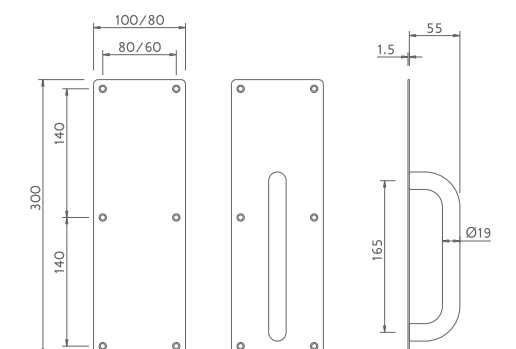
PULL & PUSH PLATES



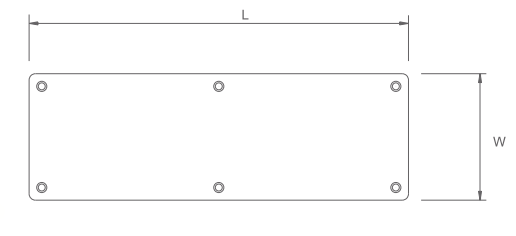
PULL & PUSH PLATE



PULL & PUSH PLATE



Kick plate



Specifications:  
8" x 34" / 8" x 35" / 10" x 34" / 10" x 35"

T=1.2mm/1.5mm  
T=1.2mm/1.5mm

63

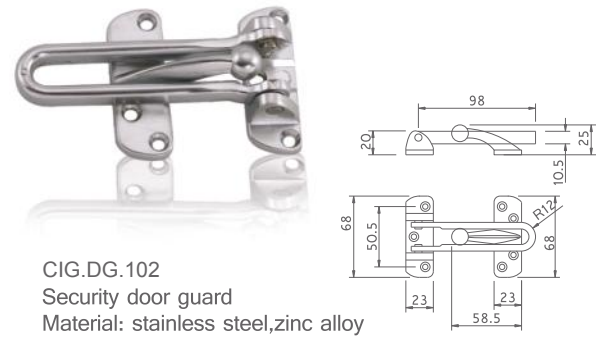
CIG.MP.101SS 3" / 4" / 5" stainless steel letter plate available on front and concealed fixing

DOOR ACCESSORIES

DOOR ACCESSORIES



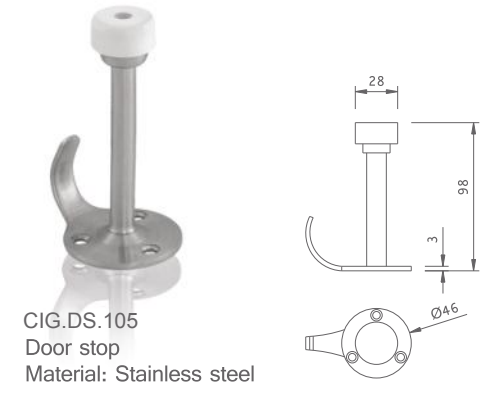
CIG.DG.101  
Door chain  
Material: stainless steel,brass



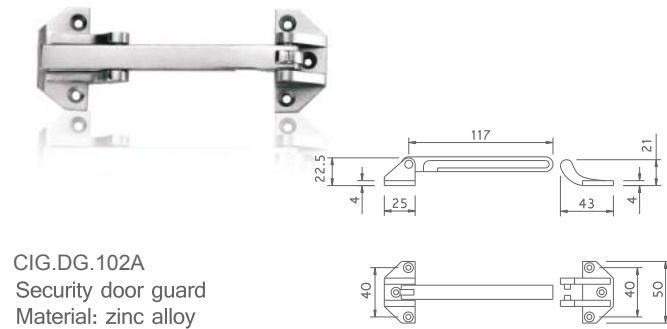
CIG.DG.102  
Security door guard  
Material: stainless steel,zinc alloy



CIG.DS.104  
Door stop  
Material: Stainless steel



CIG.DS.105  
Door stop  
Material: Stainless steel



CIG.DG.102A  
Security door guard  
Material: zinc alloy



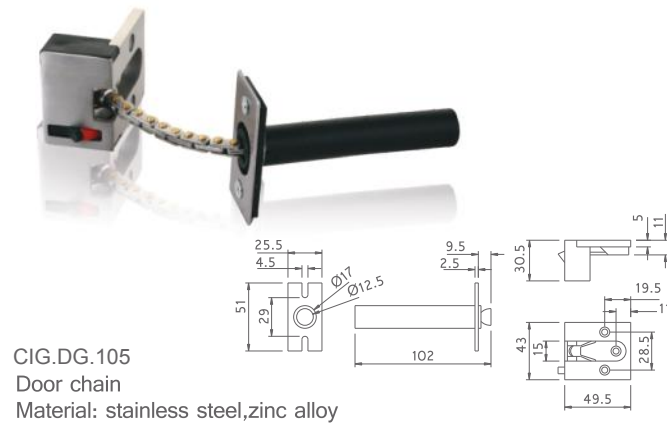
CIG.DG.104  
Door chain  
Material: stainless steel



CIG.DS.106  
Door stop  
Material: Stainless steel



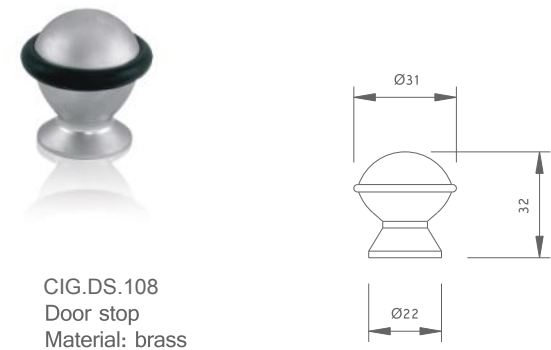
CIG.DS.107  
Door stop  
Material: Stainless steel



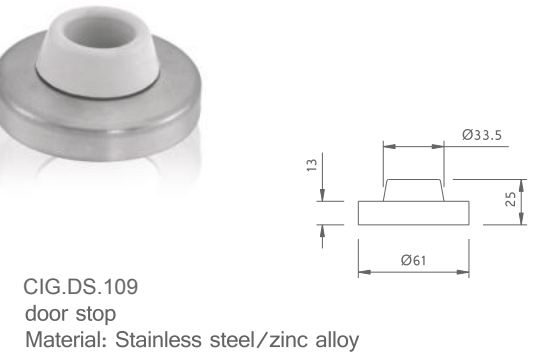
CIG.DG.105  
Door chain  
Material: stainless steel,zinc alloy



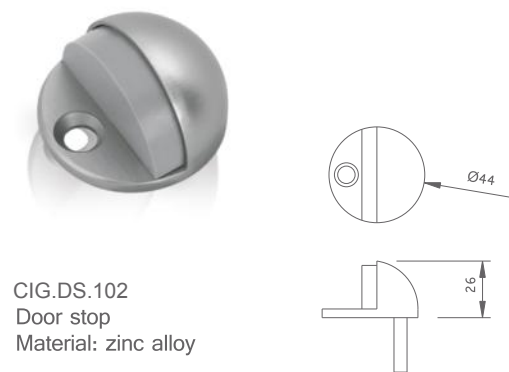
CIG.DS.101  
Door stop  
Material: stainless steel



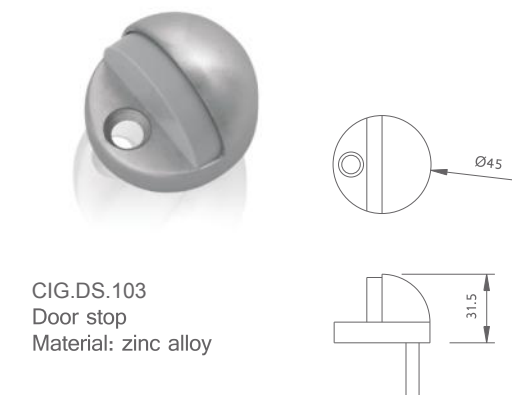
CIG.DS.108  
Door stop  
Material: brass



CIG.DS.109  
door stop  
Material: Stainless steel/zinc alloy



CIG.DS.102  
Door stop  
Material: zinc alloy



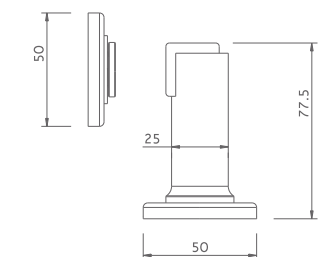
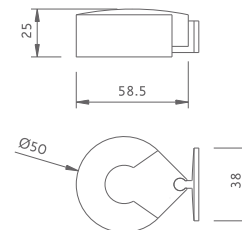
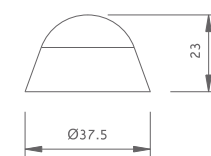
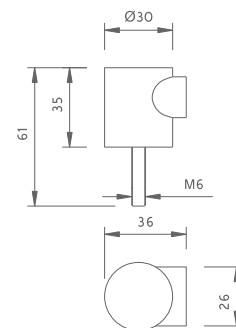
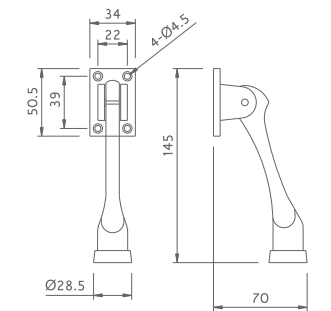
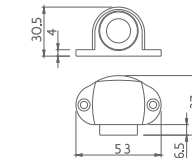
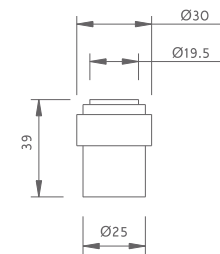
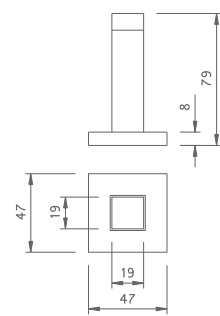
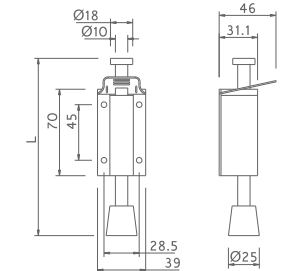
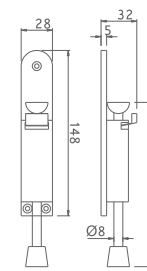
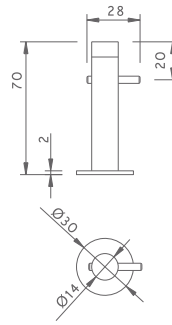
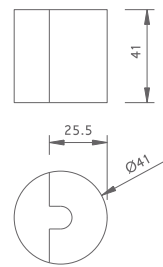
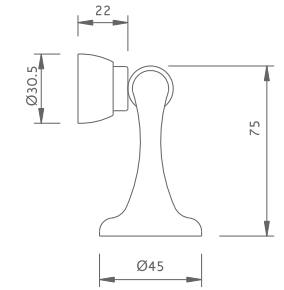
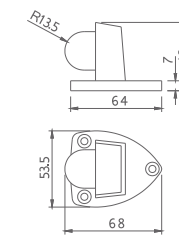
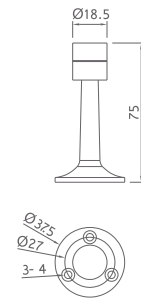
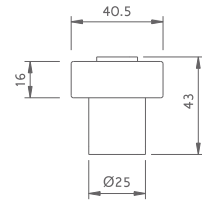
CIG.DS.103  
Door stop  
Material: zinc alloy



CIG.DS.110  
door stop  
Material: Stainless steel/zinc alloy

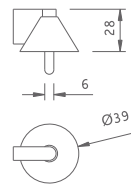


CIG.DS.111  
door stop  
Material: Stainless steel/zinc alloy

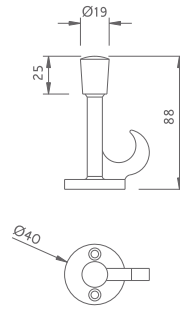




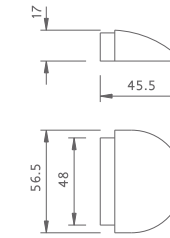
CIG.DS.112  
door stop  
Material: Stainless steel/zinc alloy



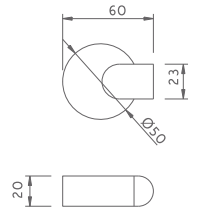
CIG.DS.113  
door stop  
Material: zinc alloy



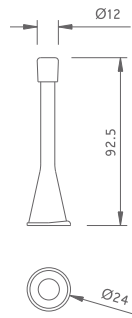
CIG.DS.121  
Door stop  
Material: Stainless steel



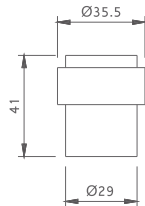
CIG.DS.122  
Door stop  
Material: Stainless steel



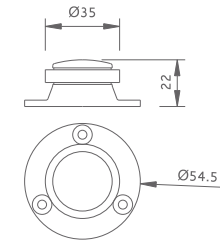
CIG.DS.114  
Door stop  
Material: Stainless steel



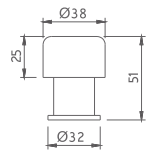
CIG.DS.115  
door stop  
Material: Stainless steel/aluminium



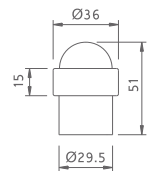
CIG.DS.123  
Door stop  
Material: Stainless steel



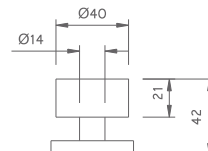
CIG.DS.124  
Door stop  
Material: Stainless steel



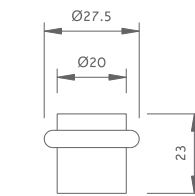
CIG.DS.117  
Door stop  
Material: Stainless steel



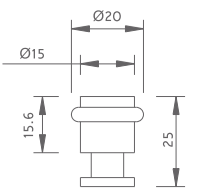
CIG.DS.118  
Door stop  
Material: Stainless steel



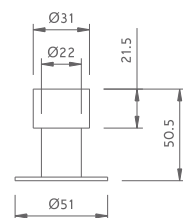
CIG.DS.125  
door stop  
Material: Stainless steel  
specifications:Ø15/Ø20/Ø25/Ø30



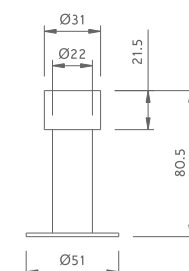
CIG.DS.126  
door stop  
Material: Stainless steel  
specifications:Ø15/Ø20/Ø25/Ø30



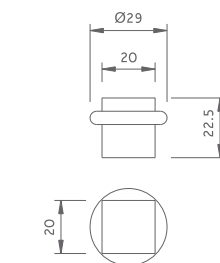
CIG.DS.119  
Door stop  
Material: Stainless steel



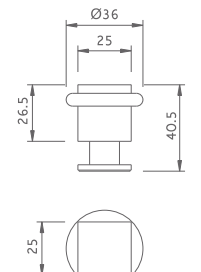
CIG.DS.120  
Door stop  
Material: Stainless steel



CIG.DS.127  
door stop  
Material: Stainless steel  
specifications:Ø15/Ø20/Ø25/Ø30



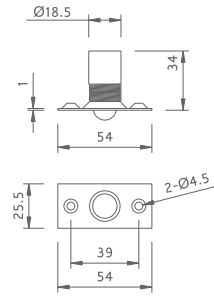
CIG.DS.128  
door stop  
Material: Stainless steel  
specifications:Ø15/Ø20/Ø25/Ø30



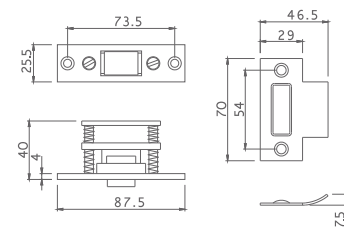




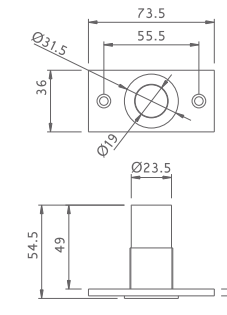
CIG.BC.101  
brass adjustable ball catch  
Material: Stainless steel,brass



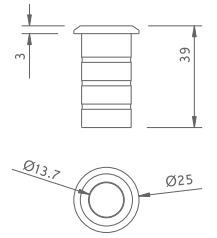
BC002  
brass roller catch  
Material: Stainless steel,brass



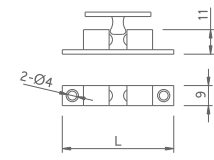
CIG.DPO.102  
door dust proof strike  
Material: brass



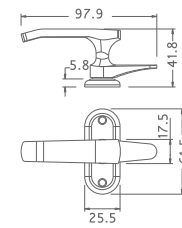
CIG.DPO.101  
door dust proof strike  
Material: Stainless steel,brass,zinc alloy



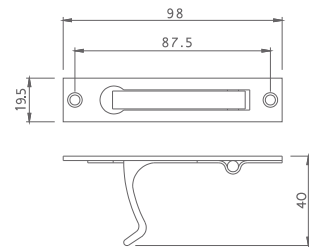
CIG.B.101BR.43 / 50 / 60 / 70  
Double ball catch  
Material: brass



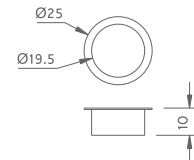
WL001  
Window latch  
Material: Stainless steel



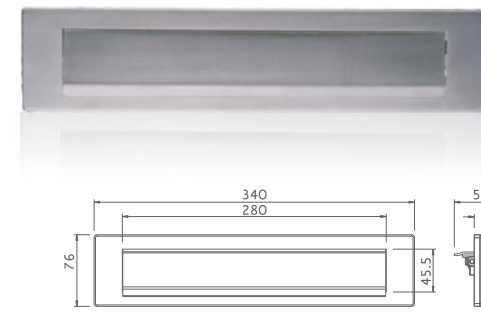
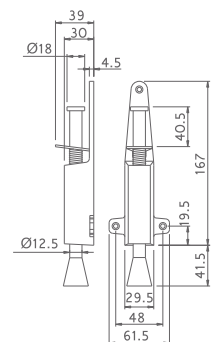
CIG.EP.101  
Edge pull  
Material: Stainless steel



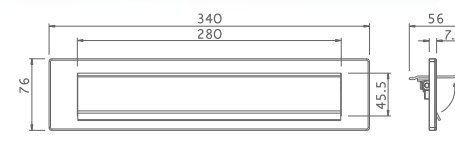
CIG.EP.102  
Finger pull  
Material: Stainless steel



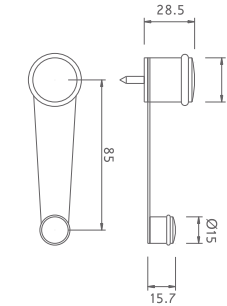
CIG.DH.109  
Door holder  
Material: Stainless steel casting

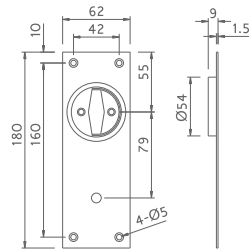


CIG.LC.101  
Letter cover  
Material: Stainless steel

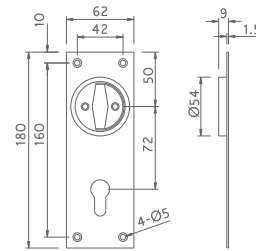


CIG.DS.138  
door stop  
Material: Stainless steel

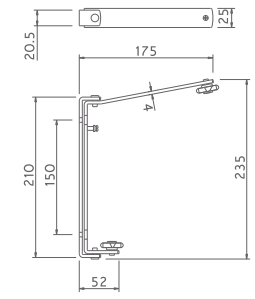




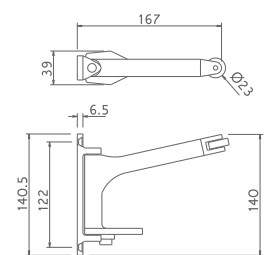
CIG.CH.103  
Flush ring pull handle  
Material: Stainless steel



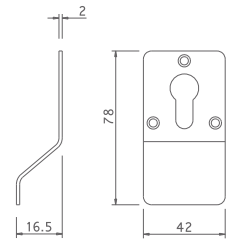
CIG.CH.103A  
Flush ring pull handle  
Material: Stainless steel



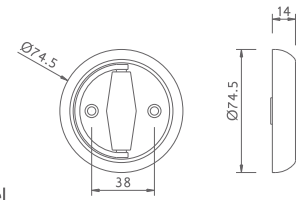
CIG.DC.103  
Door coordinator  
Material: steel



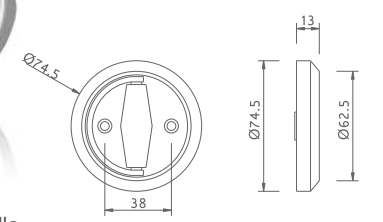
CIG.CH.104  
Door coordinator  
Material: Stainless steel casting



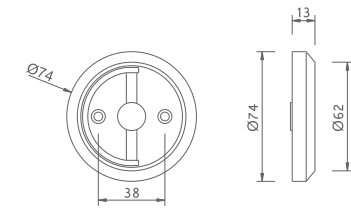
CIG.CH.104  
Pull handle  
Material: Stainless steel



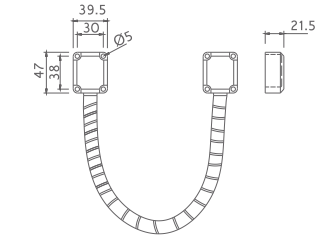
CIG.CH.101  
Flush ring pull handle  
Material: Stainless steel



CIG.CH.101A  
Flush ring pull handle  
Material: Stainless steel



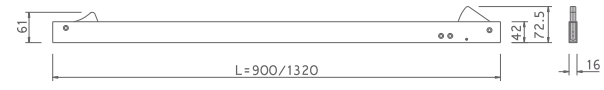
CIG.CH.101B  
Flush ring pull handle  
Material: Stainless steel



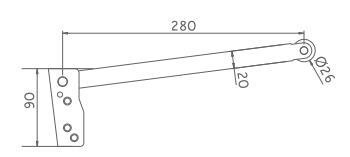
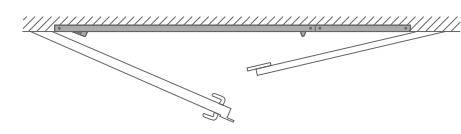
CIG.DC.110  
Cable transition  
Material: Stainless steel



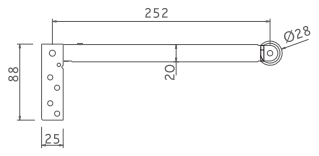
CIG.DC.106  
Cable transition  
Material: Stainless steel



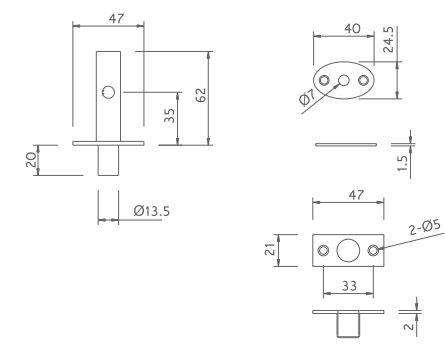
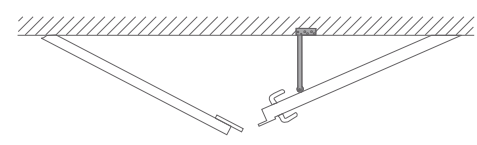
CIG.CH.105  
Door coordinator  
Material: Stainless steel



CIG.DC.102  
door coordinator  
Material: Stainless steel

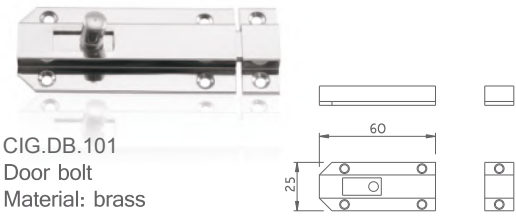


CIG.DC.102A  
Door coordinator  
Material: Stainless steel



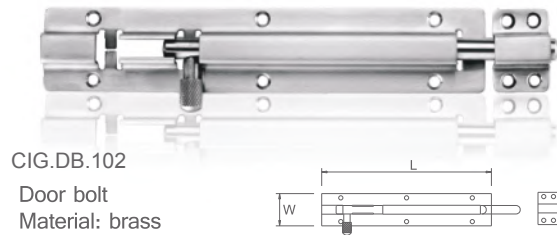
CIG.ML.09 / 35  
Simple deadbolt lock  
Material: Stainless steel

# DOOR ACCESSORIES



CIG.DB.101  
Door bolt  
Material: brass

Art No.	width	length
CIG.DB.101/25/60	25	60
CIG.DB.101/35/60	35	60
CIG.DB.101/35/80	35	80
CIG.DB.101/35/100	35	100



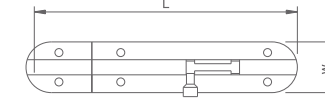
CIG.DB.102  
Door bolt  
Material: brass

Art No.	width	length
CIG.DB.102/1/2.5	7/8"	2.5"
CIG.DB.102/1/3	7/8"	3"
CIG.DB.102/1/4	7/8"	4"
CIG.DB.102/1/6	7/8"	6"
CIG.DB.102/1/8	7/8"	8"
CIG.DB.102/2/3	1"	3"
CIG.DB.102/2/4	1"	4"
CIG.DB.102/2/6	1"	6"
CIG.DB.102/2/8	1"	8"

# DOOR ACCESSORIES



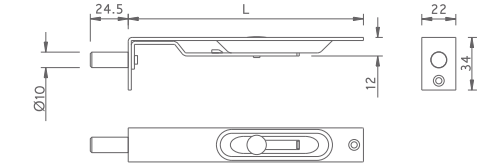
CIG.DB.110  
Door bolt  
Material: Stainless steel



Art No.	width	length
CIG.DB.110/06	1-1/4"	6"
CIG.DB.110/08	1-1/4"	8"
CIG.DB.110/10	1-1/4"	10"
CIG.DB.110/12	1-1/4"	12"



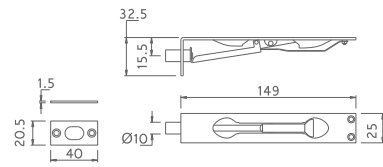
CIG.DB.112  
Flush bolt  
Material: Stainless steel



Art No.	width	length
CIG.DB.112/06	3/4"	6"
CIG.DB.112/08	3/4"	8"
CIG.DB.112/10	3/4"	10"
CIG.DB.112/12	3/4"	12"



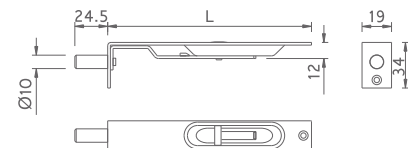
CIG.DB.106  
Flush bolt  
Material: Stainless steel



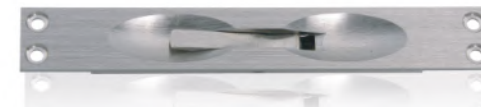
Art No.	width	length
CIG.DB.106/6	1"	6"
CIG.DB.106/8	1"	8"
CIG.DB.106/10	1"	10"
CIG.DB.106/12	1"	12"



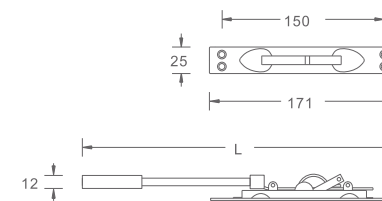
CIG.DB.105  
Flush bolt  
Material: Stainless steel



Art No.	width	length
CIG.DB.105/06	3/4"	6"
CIG.DB.105/08	3/4"	8"
CIG.DB.105/10	3/4"	10"
CIG.DB.105/12	3/4"	12"



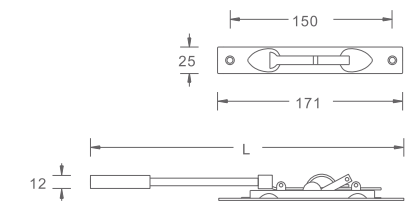
CIG.DB.113  
Flush bolt  
Material: brass



Art No.	width	length
DB013/6	1"	6"



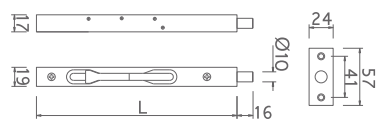
CIG.DB.114  
Flush bolt  
Material: Stainless steel, zinc alloy



Art No.	width	length
CIG.DB.114/06	1"	6"
CIG.DB.114/08	1"	8"
CIG.DB.114/10	1"	10"
CIG.DB.114/12	1"	12"



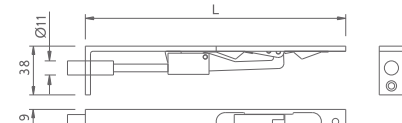
CIG.DB.107  
Flush bolt  
Material: Stainless steel



Art No.	width	length
CIG.DB.107/06	3/4"	6"
CIG.DB.107/08	3/4"	8"
CIG.DB.107/10	3/4"	10"
CIG.DB.107/12	3/4"	12"
CIG.DB.107/18	3/4"	18"
CIG.DB.107/24	3/4"	24"



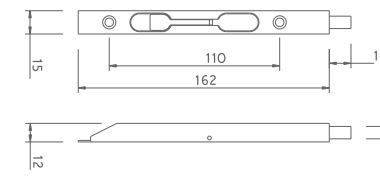
CIG.DB.109  
Flush bolt  
Material: Stainless steel casting



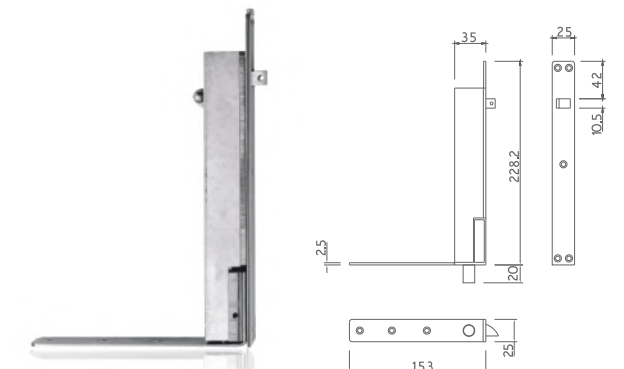
Art No.	width	length
CIG.DB.109/06	3/4"	6"
CIG.DB.109/08	3/4"	8"
CIG.DB.109/10	3/4"	10"
CIG.DB.109/12	3/4"	12"
CIG.DB.109/18	3/4"	18"
CIG.DB.109/24	3/4"	24"
CIG.DB.109/36	3/4"	36"



CIG.DB.115  
Flush bolt  
Material: Stainless steel

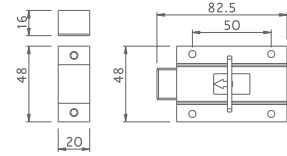


Art No.	width	length
CIG.DB.115/06	15	6"
CIG.DB.115/08	15	8"
CIG.DB.115/10	15	10"
CIG.DB.115/12	15	12"



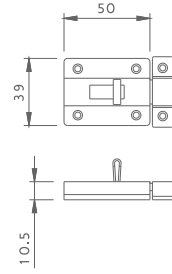
CIG.DB.116  
Flush bolt  
Material: Stainless steel

# DOOR ACCESSORIES

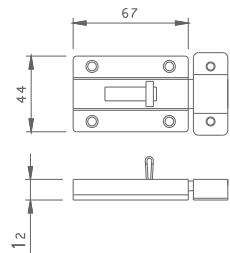


CIG.DB.117SS  
Door bolt  
Material: Stainless steel

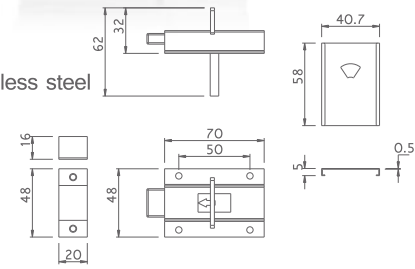
Art No.	width	length
DB017/3	40	70



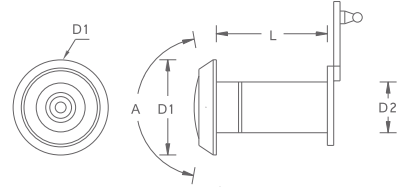
CIG.DB.118SS  
Door bolt  
Material: Stainless steel



CIG.DB.119SS  
Door bolt  
Material: Stainless steel



CIG.TT.113SS  
Door bolt  
Material: Stainless steel



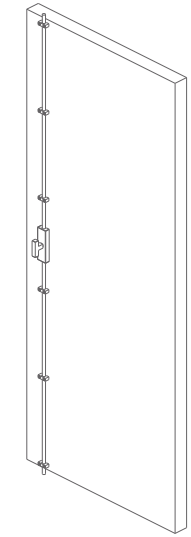
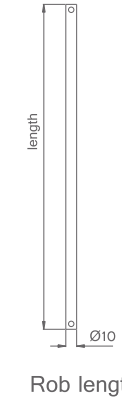
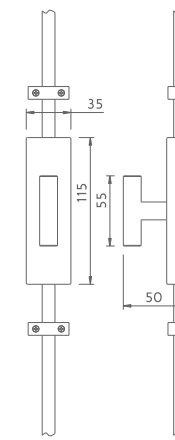
Door viewer  
Material: brass  
available without cover

Art No.	D1	D2	A	L
CIG.DV.101.1612	Ø16	Ø12	160de	35-55
CIG.DV.101.2814	Ø28	Ø14	180de	35-55
CIG.DV.101.3016	Ø30	Ø16	200de	35-55
CIG.DV.101.3828	Ø38	Ø28	200de	40-55

# DOOR ACCESSORIES



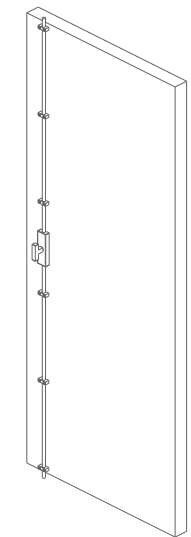
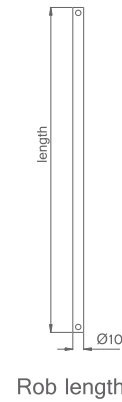
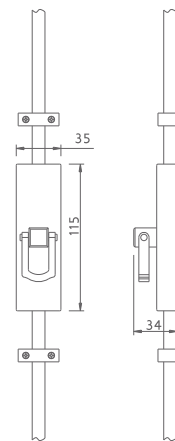
Art No. CIG.WL.101  
stainless steel window latch  
Material: Stainless steel



Rob length	1000	1200	1500	2000	2500	3000	3500	4000
Clamp(QTY)	6	6	6	8	8	8	10	10



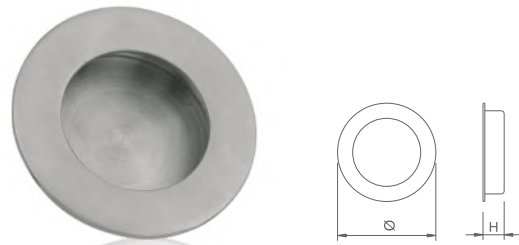
Art No. CIG.WL.101  
stainless steel window latch  
Material: Stainless steel



Rob length	1000	1200	1500	2000	2500	3000	3500	4000
Clamp(QTY)	6	6	6	8	8	8	10	10



CIG.FH.109SS



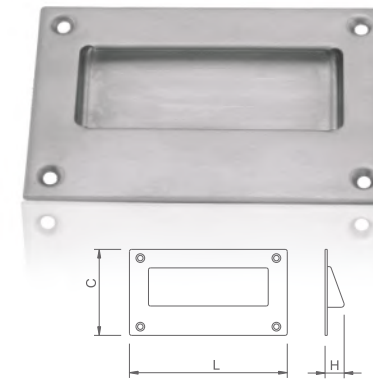
Art. No.	C	H
FH007/30	30	14
FH007/40	40	14
FH007/50	50	14
FH007/60	60	14
FH007/65	65	14
FH007/70	70	14

CIG.FH.110SS



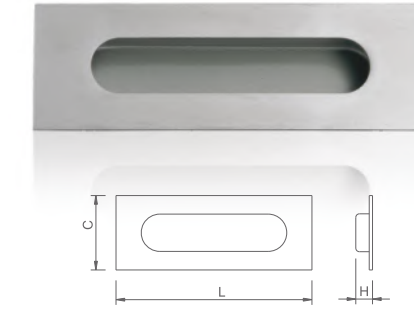
Art. No.	C	H
FH008/90	90	20

CIG.FH.115SS



Art. No.	C	L	H
CIG.FH.115/125	83	125	19

CIG.FH.116SS

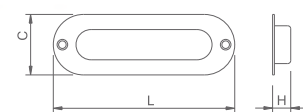


Art. No.	C	L	H
FH030/102	40	102	15
FH030/120	50	120	15
FH030/150	50	150	15
FH030/180	60	180	15

CIG.FH.111SS



available on front and concealed fixing



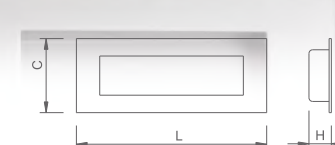
Art. No.	C	L	H
CIG.FH.111/120/40	40	120	14
CIG.FH.111/120/50	50	120	14
CIG.FH.111/150/50	50	150	14
CIG.FH.111/180/60	60	180	14

CIG.FH.112SS



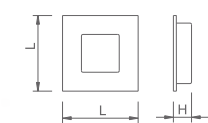
Art. No.	C	L	H
CIG.FH.112/102	40	102	15
CIG.FH.112/180	60	180	15

CIG.FH.117SS



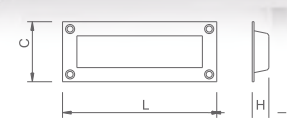
Art. No.	C	L	H
CIG.FH.117/120	50	120	15
CIG.FH.117/150	50	150	15
CIG.FH.117/180	60	180	15

CIG.FH.118SS



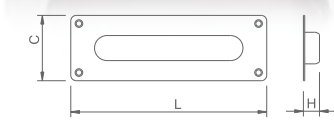
Art. No.	C	L	H
CIG.FH.118/30	30	30	11.5
CIG.FH.118/40	40	40	11.5
CIG.FH.118/50	50	50	11.5
CIG.FH.118/60	60	60	15.5
CIG.FH.118/70	70	70	15.5

CIG.FH.113SS



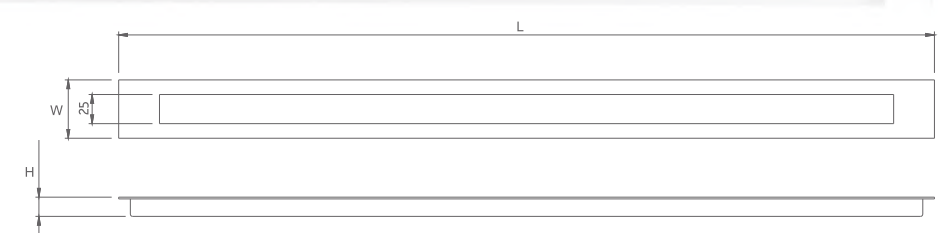
Art. No.	C	L	H
CIG.FH.113/102	50	102	11.5

CIG.FH.114SS



Art. No.	C	L	H
CIG.FH.114/120	40	120	14
CIG.FH.114/150	50	150	14
CIG.FH.114/118	51	118	13
CIG.FH.114/180	60	180	16.5

CIG.FH.119SS

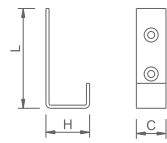


Art. No.	W	L	H
CIG.FH.119/400	50	400	16.5
CIG.FH.119/500	50	500	16.5
CIG.FH.119/600	50	600	16.5
CIG.FH.119/800	50	800	16.5

CIG.H.101SS



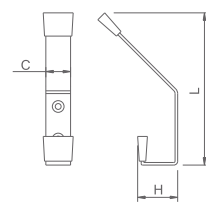
Art No.	C	L	H
CIG.H.101	19	64	28



CIG.H.105SS



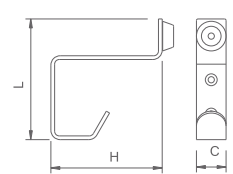
Art No.	C	L	H
CIG.H.105	19	122	28



CIG.H.106SS



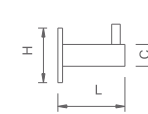
Art No.	C	L	H
CIG.H.106	19	75	69



CIG.H.107SS



Art No.	C	L	H
CIG.H.107/14	14	42	35
CIG.H.107/16	16	55	40



CIG.H.108SS



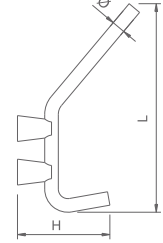
Art No.	C	L	H
CIG.H.108/10	10	85	65



CIG.H.109SS



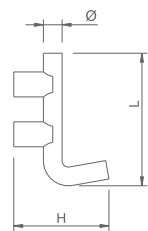
Art No.	C	L	H
CIG.H.109/10	10	167	65



CIG.H.102SS



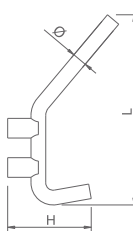
Art No.	C	L	H
CIG.H.102/10	10	85	65
CIG.H.102/12	12	85	65



CIG.H.103SS



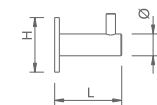
Art No.	C	L	H
CIG.H.103/10	10	167	65
CIG.H.103/12	12	167	65



CIG.H.104SS



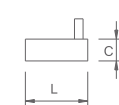
Art No.	C	L	H
CIG.H.104/14	14	35	42
CIG.H.104/20	20	35	55



CIG.H.110SS



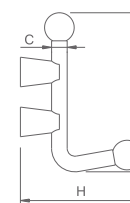
Art No.	C	L	H
CIG.H.110/14	14	39	•
CIG.H.110/16	16	47	•



CIG.H.111SS



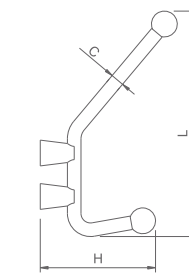
Art No.	C	L	H
CIG.H.111/10	10	65	78



CIG.H.112SS



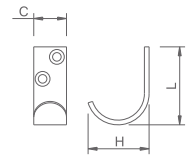
Art No.	C	L	H
CIG.H.112/10	10	167	78



CIG.H.113SS



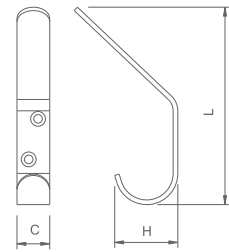
Art No.	C	L	H
CIG.H.113	19	50	40



CIG.H.114SS



Art No.	C	L	H
CIG.H.114	19	127	40

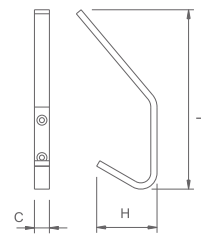


CIG.H.115SS

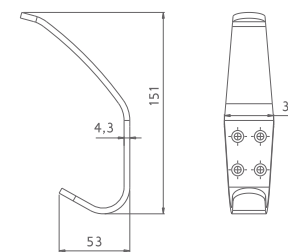


available on brass

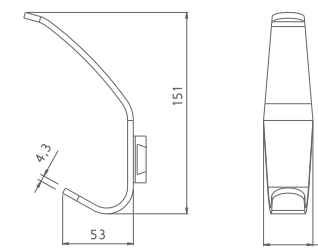
Art No.	C	L	H
CIG.H.115	14	35	42



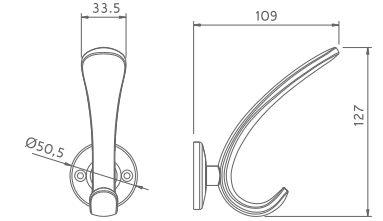
CIG.H.131SS



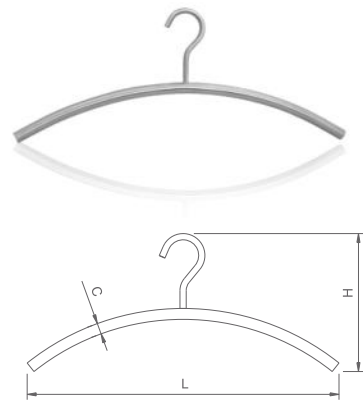
CIG.H.132SS



CIG.H.133ZN

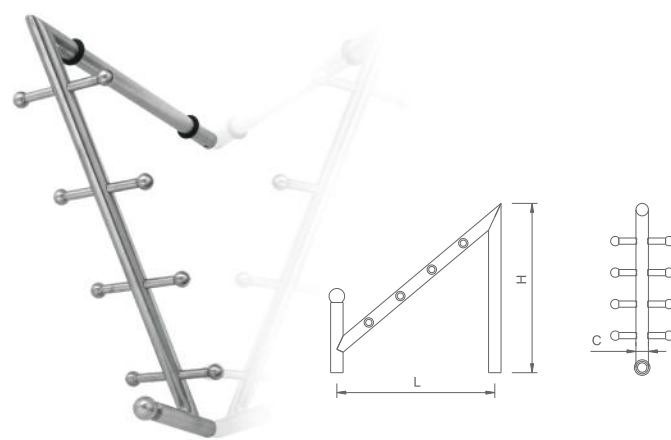


CIG.H.116SS



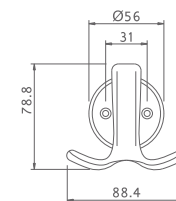
Art No.	C	L	H
CIG.H.115/12	12	450	•
CIG.H.115/14	14	450	•

CIG.H.117SS

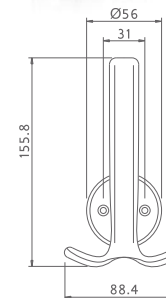


Art No.	C	L	H
CIG.H.117	16	68	279

CIG.H.134ZN



CIG.H.135ZN



## colour and finishes option

---

<u>code</u>	<u>U.S code</u>	
CP	US26	bright chrome plate
SC	US26D	satın chrome
MC		pearl chrome / chrome matt
PB	US3	brass polish
SB	US4	brass satin
SN	US15	satın nickel
BSN		brush satın nickel
MN		pearl nickel / nickel matt
GP		gold plate
AB	US10	antique brass
AC		antique copper
ORB	US10B	oild rubbed bronze
SAO	US28	satın alumimium anodized
SSS	US32D	satın stainless steel
PSS	US32	polish stainless steel
PVD	PVD	PVD