

***SALICE***



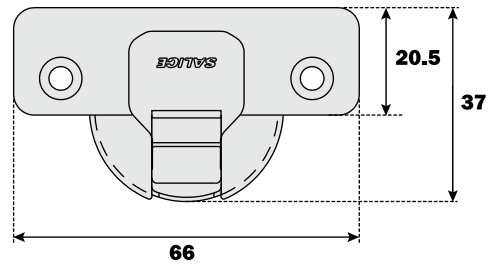
## Series 200



The Series 200 make up an integrated system of hinges developed to provide a solution to any situation involving concealed hinges.

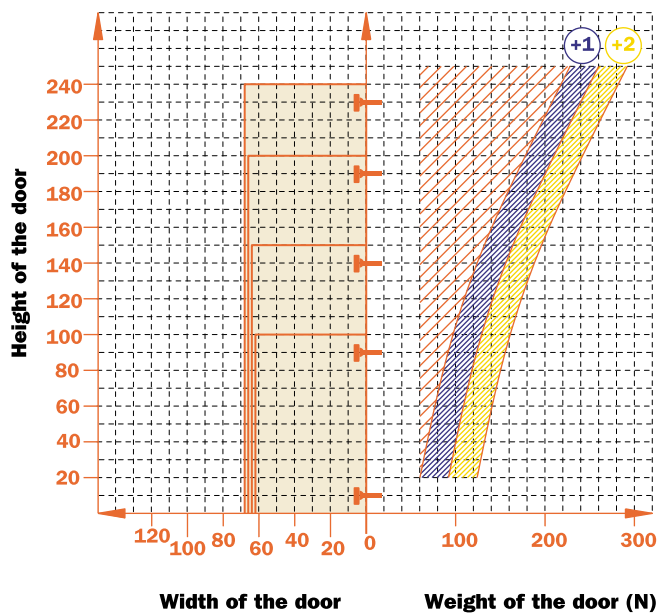
Bright nickel plated steel cup and arm.

Dimensions of the Ø 35 mm cup.



Constant "L" value of 0.7 mm (it does not change during side adjustment).

Approx. number of hinges required according to the door dimension and weight.



## Adjustments

Compensating side adjustment from -1.5 mm to +4.5 mm.  
 Height adjustment  $\pm 2$  mm.  
 Depth adjustment with Series 200 mounting plates +2.8 mm.  
 Depth adjustment with Domi snap-on mounting plates from -0.5 mm to +2.8 mm.  
 Anti-sliding safety stop.

## Mounting plates

Symmetrical and asymmetrical bright nickel plated steel or die-cast Series 200 mounting plates.  
 Snap-on assembly on Domi mounting plates.  
 Positioning with pre-determined stop on traditional Series 200 mounting plates.

N.B. : Use POZIDRIVE No. 2 screwdrivers for all screws.

## Drillings and fixings

		94°	110°	120°	155° 165°	94°	110°	120°	155° 165°	94°	110°	120°	155° 165°
Wood screw		A	A	A	A	P	P	P	P	U	U	U	U
		94°	110°	120°	155° 165°	94°	110°	120°	155° 165°	94°	110°	120°	155° 165°
Rapido		6	6	6	6	7	7	7	7	2	2	2	2
Dowel		B	B	B	B	R	R	R	R	W	W	W	W
Logica		I	I	I	I	J	J	J	J	Q	Q	Q	Q

**Use this table to identify the available drillings and fixings.**

**Fill the third position of the hinge code number with the letter or the number corresponding to your choice. I.e.: C2\_BA99.**

↑  
Fill this position with the chosen letter or number.



## Technical information

### When a greater opening angle is required.

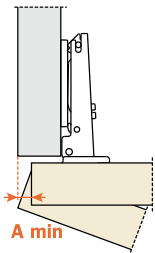
11 mm deep metal cup.

110° opening.

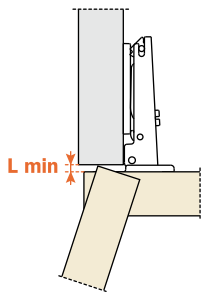
Possible drilling distance on the door (K): from 3 to 6 mm.

Compatible with all traditional Series 200 mounting plates and with all Domi snap-on mounting plates.

## Space needed to open the door



T=	16	17	18	19	20	21	22	23	24	25	26	
K=3	A=	0.5	0.7	0.9	1.2	1.5	1.8	2.4	3.7	5.1	6.5	7.8
K=4	A=	0.5	0.7	0.9	1.2	1.5	1.8	2.1	2.7	4.1	5.5	6.8
K=5	A=	0.5	0.7	0.9	1.2	1.5	1.8	2.1	2.6	3.1	4.1	5.4
K=6	A=	0.5	0.7	0.9	1.2	1.5	1.8	2.1	2.5	3.0	3.5	4.4

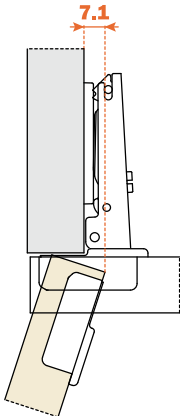


T=	16	17	18	19	20	21	22	23	24	25	26	
K=3	L=	0.0	0.0	0.0	0.0	0.2	0.5	0.8	1.1	1.4	1.7	1.9
K=4	L=	0.0	0.0	0.3	0.6	0.9	1.2	1.4	1.7	2.0	2.3	2.6
K=5	L=	1.1	1.3	1.6	1.8	2.1	2.3	2.6	2.9	3.1	3.4	3.6
K=6	L=	2.0	2.3	2.5	2.8	3.1	3.3	3.6	3.8	4.1	4.3	4.6

The above values are calculated on the assumption that the doors have square edges. They are reduced if the doors have radiused edges.

## Projection of the door

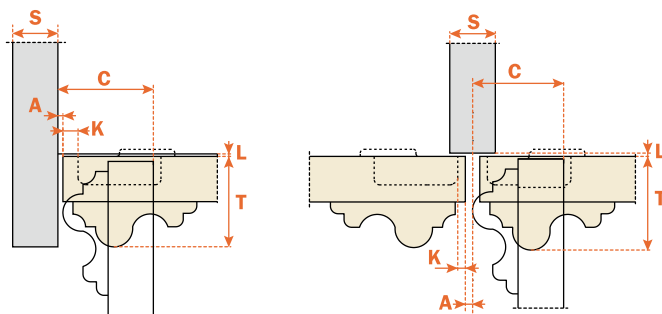
Projection of the door from the cabinet side at the max. opening. The figures are based on a straight arm hinge, H=0 mm thickness of mounting plate and K value = 3 mm.



## "C" value

With this formula you can obtain the max. thickness of the moulded door that can be opened without touching adjacent carcass sides, doors or walls, whilst bearing in mind the above L-K-T values.

$$C = 20 + K + A$$



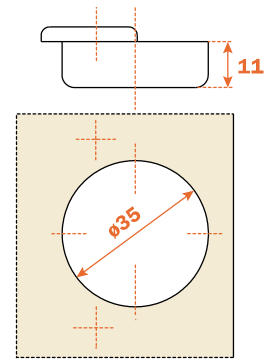
**Packing**

Boxes 300 pcs.  
Pallets 7.200 pcs.

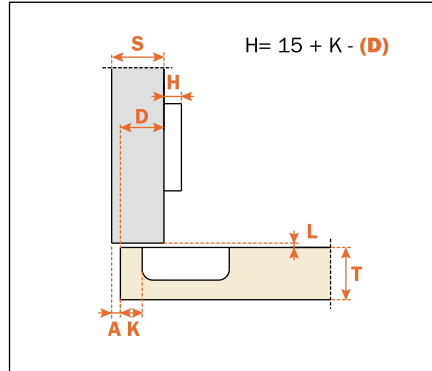
**CA** sprung hinge  
**CL** unsprung hinge

Use these formulas to determine the type of hinge arm, the drilling distance "K" and the height of the mounting plate "H" which is necessary to solve each application problem.

Use the tables "Drillings and fixings" at page 83 to complete the code number of the desired hinge.

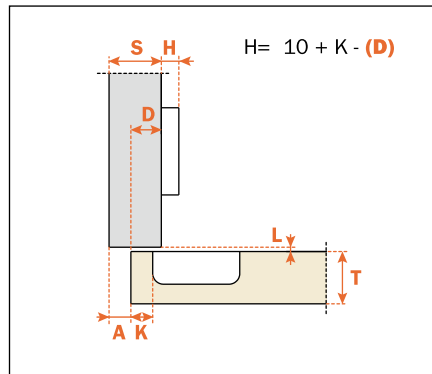


Arm 0



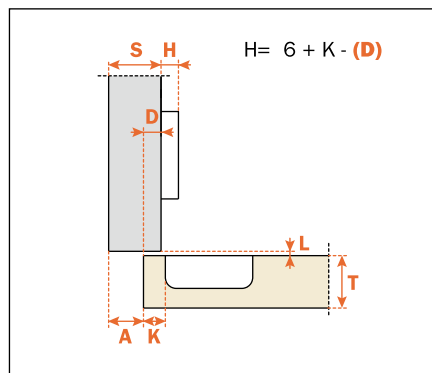
**CA - C2\_6A99**  
**CL - C2\_4A99**

Arm 5



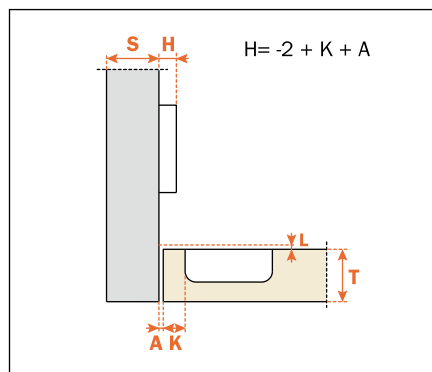
**CA - C2\_6D99**  
**CL - C2\_4D99**

Arm 9

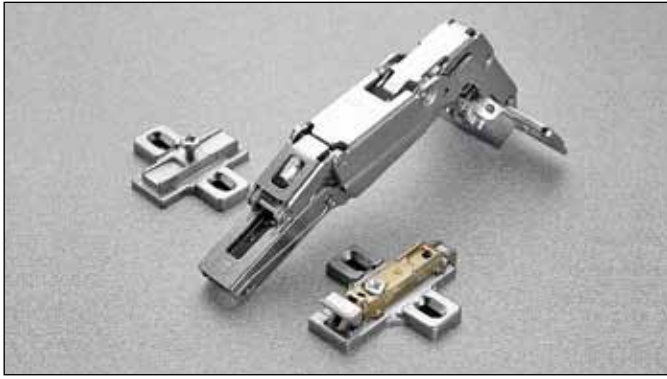


**CA - C2\_6G99**  
**CL - C2\_4G99**

Arm 17



**CA - C2\_6P99**  
**CL - C2\_4P99**

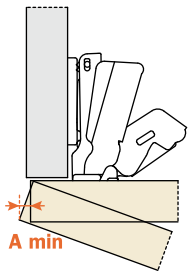


**Technical information**

**Hinge with greater opening angle and reduced operating profile.**

11 mm deep die-cast cup.  
 165° opening.  
 Possible drilling distance on the door (K): from 3 to 8 mm.  
 Compatible with all traditional Series 200 mounting plates and with all Domi snap-on mounting plates.

**Space needed to open the door**

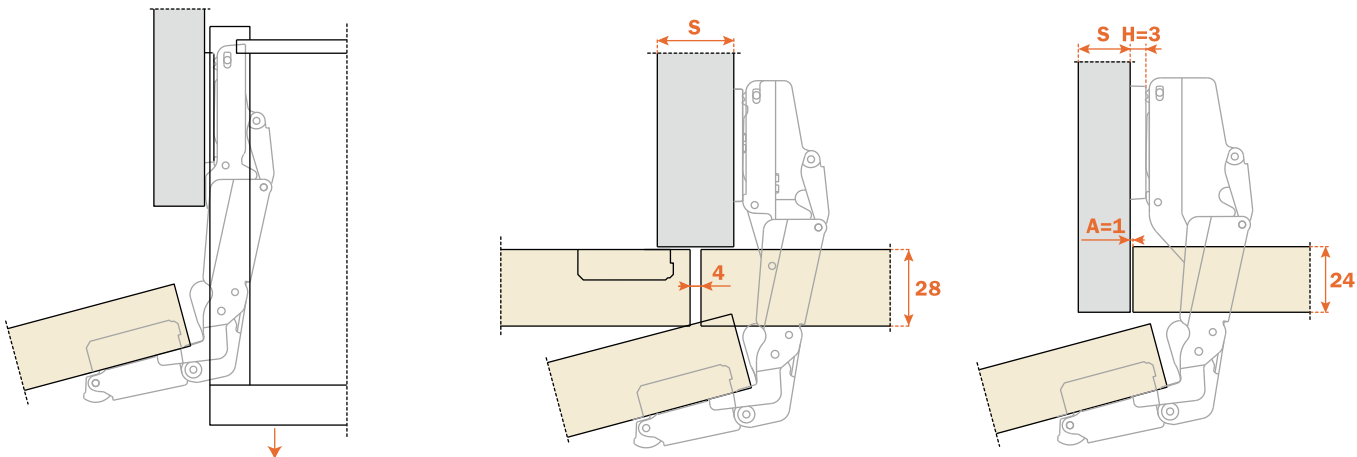


T=	16	18	20	22	24	26	28
K=3	<b>A=</b> 0.0	0.0	0.0	0.7	2.7	4.6	7.9
K=4	<b>A=</b> 0.0	0.0	0.0	0.1	1.8	3.8	6.9
K=5	<b>A=</b> 0.0	0.0	0.0	0.1	1.2	3.0	5.9
K=6	<b>A=</b> 0.0	0.0	0.0	0.1	0.9	2.5	4.9
K=7	<b>A=</b> 0.0	0.0	0.0	0.1	0.7	2.0	3.9
K=8	<b>A=</b> 0.0	0.0	0.0	0.1	0.6	1.7	3.2

**The above values are calculated on the assumption that the doors have square edges. They are reduced if the doors have radiussed edges.**

**“C” value**

For spaces with removable components. Opening with lateral door protrusion equal to 5.5 mm with a hinge with straight arm, H=0 mounting plate and K=3 mm.





**Packing**

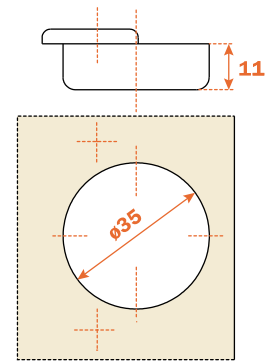
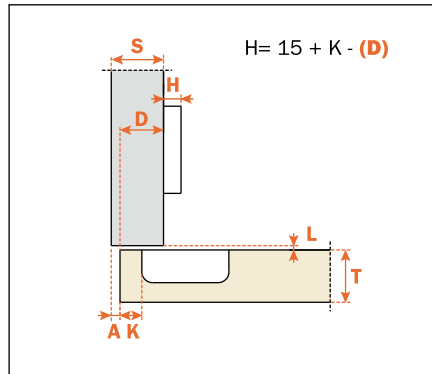
Boxes 100 pcs.  
Pallets 2.400 pcs.

**CA** sprung hinge  
**CL** unsprung hinge

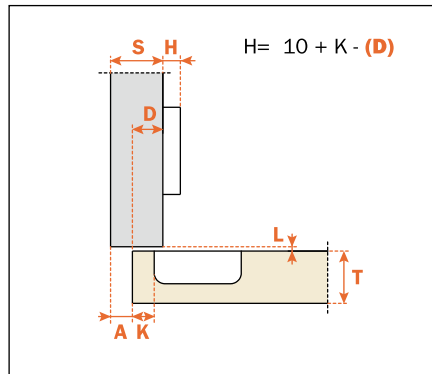
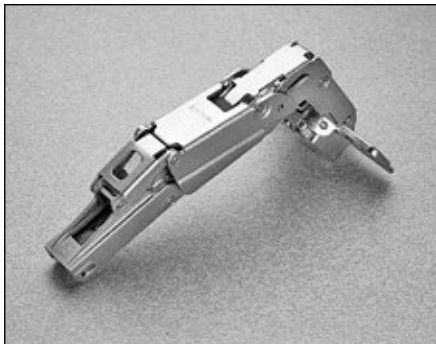
Use these formulas to determine the type of hinge arm, the drilling distance "K" and the height of the mounting plate "H" which is necessary to solve each application problem.

To limit the opening of the hinge, see page 354 chapter "Accessories".

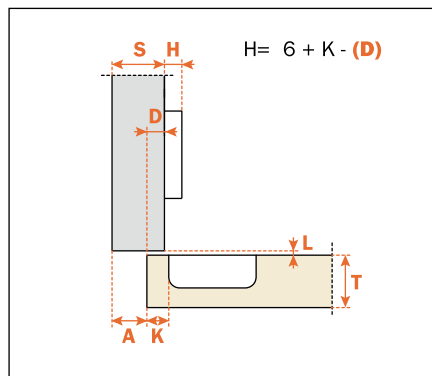
Use the tables "Drillings and fixings" at page 83 to complete the code number of the desired hinge.

**Arm 0**

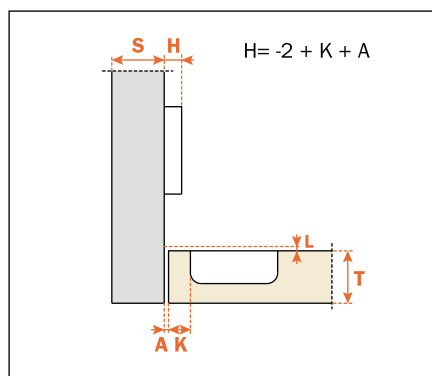
**CA - C2\_FA99**  
**CL - C2\_EA99**

**Arm 5**

**CA - C2\_FD99**  
**CL - C2\_ED99**

**Arm 9**

**CA - C2\_FG99**  
**CL - C2\_EG99**

**Arm 17**

**CA - C2\_FP99**  
**CL - C2\_EP99**

# Series 200 - Hinges for glass doors - Complementary hinges

## Packing

Boxes 150 pcs.  
Pallets 3.600 pcs.

## CA sprung hinge

The solution of assembly problems where doors are mounted at a positive or negative angle requires the verification of drilling distances by a practical trial. Please do not hesitate to consult our technical support department for assistance.

## Technical information

### Hinges for glass doors with positive angled assembly.

Hole diameter 26 mm.

94° opening.

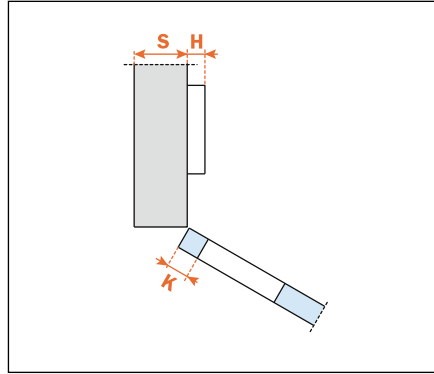
For use with glass from 4 mm to 6 mm thickness.

Possible drilling distance on the door (K): from 5.5 to 6.5 mm.

Compatible with all Series 200 traditional mounting plates and with all Domi snap-on mounting plates.

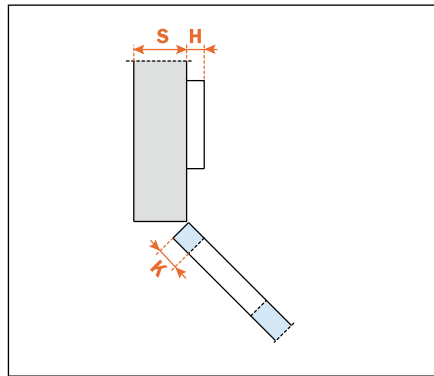
Applications with doors set at any angle between - 7.5° to + 70° are possible by combining the appropriate hinge and mounting plate.

### Arm 30°



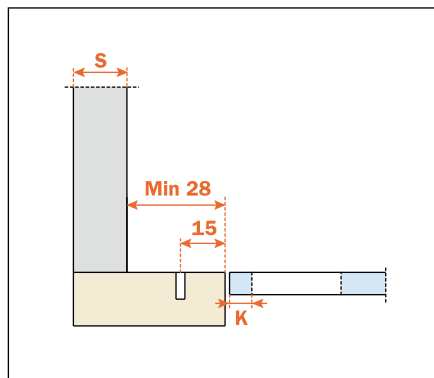
**CA - C2C7E39**

### Arm 45°



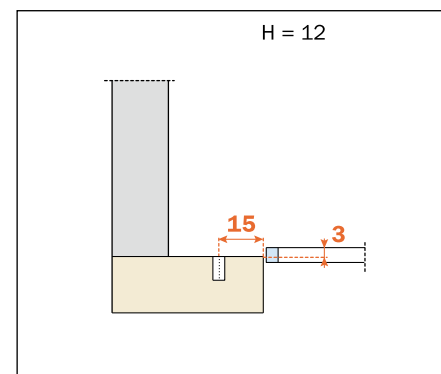
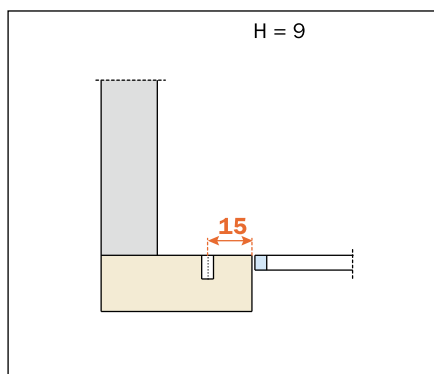
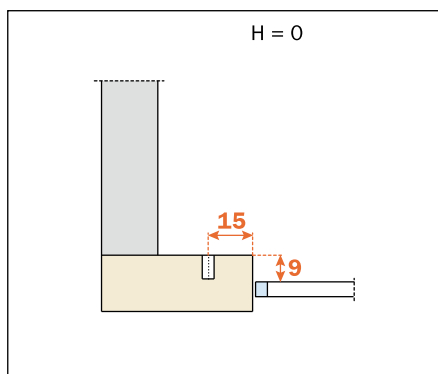
**CA - C2C7M39**

### Crampon



**Crampon hinges.** To be used only with Series 200 mounting plates for traditional assembly and drilling 28x32 mm.

**CA - C2C7N39**



## Complementary hinges



### Technical information

#### Hinges for fridge doors.

11 mm deep metal cup.

94° opening.

Possible drilling distance on the door (K): from 3 to 9 mm.

Compatible with all traditional Series 200 mounting plates.

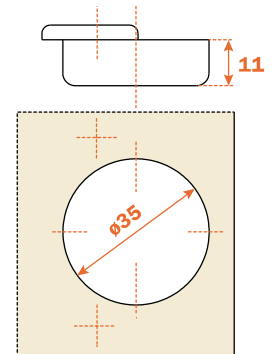
**NOT COMPATIBLE** with Domi snap-on mounting plates.

#### Packing

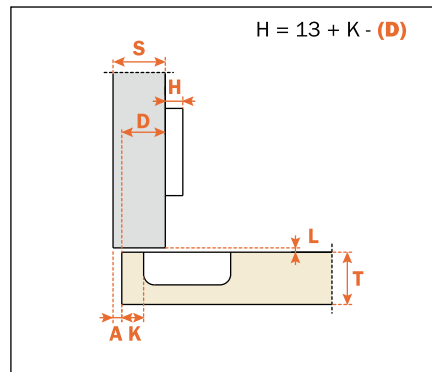
Boxes 150 pcs.

Pallets 3.600 pcs.

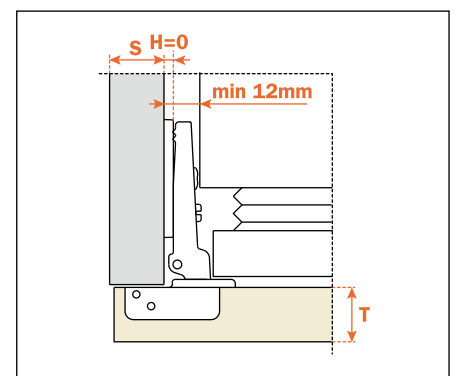
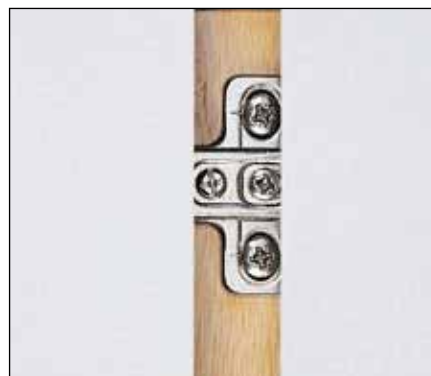
Use the tables "Drillings and fixings" at page 83 to complete the code number of the desired hinge.



#### CA sprung hinge



#### CA - C2\_BF99



## Series 200 - Complementary hinges



### Technical information

#### Hinges for wooden doors with positive angled assembly.

11 mm deep metal cup.

94° opening.

Possible drilling distance on the door (K): from 3 to 9 mm.

Compatible with all traditional Series 200 mounting plates and with all Domi snap-on mounting plates.

#### Packing

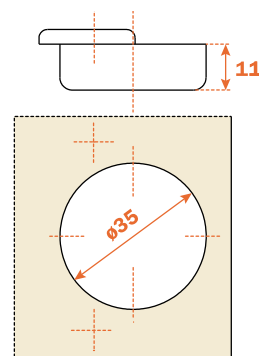
Boxes 150 pcs.

Pallets 3.600 pcs.

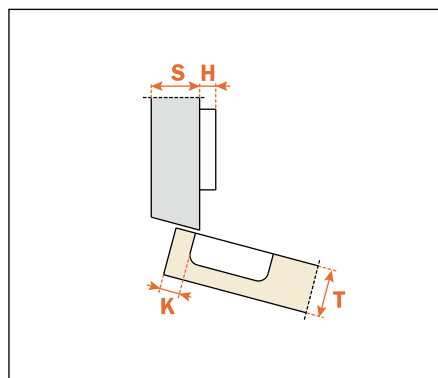
#### CA sprung hinge

The solution of assembly problems where doors are mounted at a positive or negative angle requires the verification of drilling distances by a practical trial. Please do not hesitate to consult our technical support department for assistance.

Use the tables "Drillings and fixings" at page 83 to complete the code number of the desired hinge.

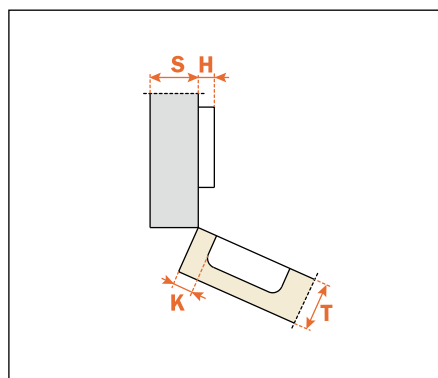


#### Arm 15°



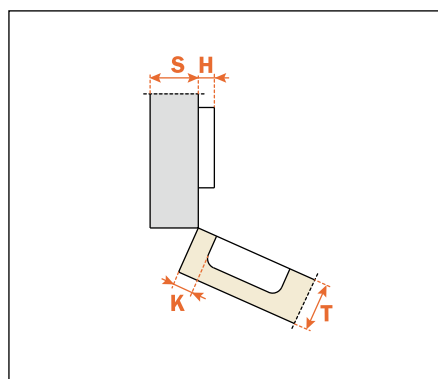
**CA - C2\_BZ99**

#### Arm 24°



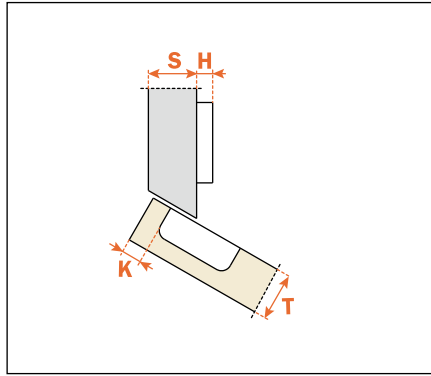
**CA - C2\_BU99**

#### Arm 30°



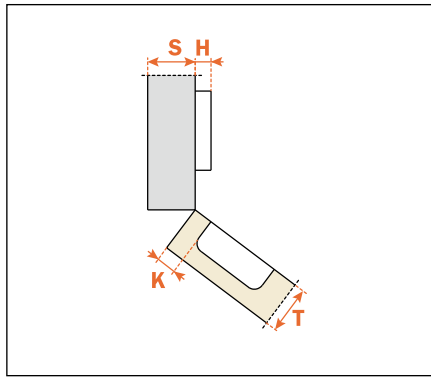
**CA - C2\_BE99**

Arm 30°



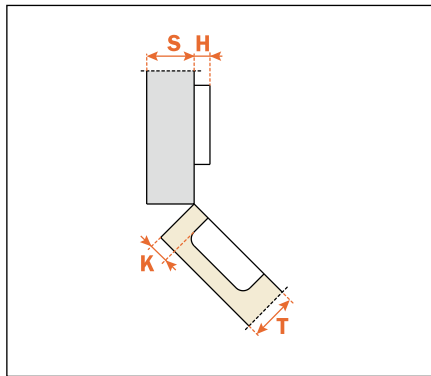
CA - C2\_BT99

Arm 37°



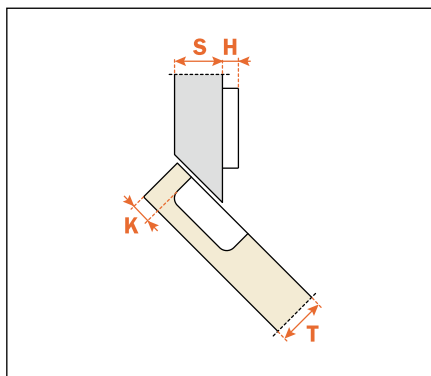
CA - C2\_BK99

Arm 45°



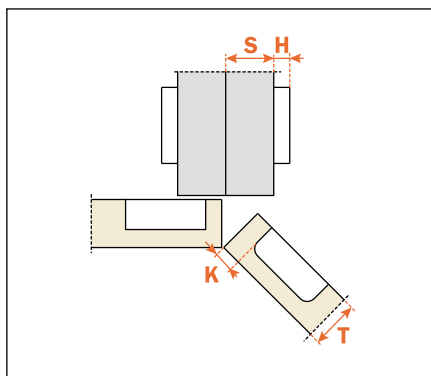
CA - C2\_BM99

Arm 45°



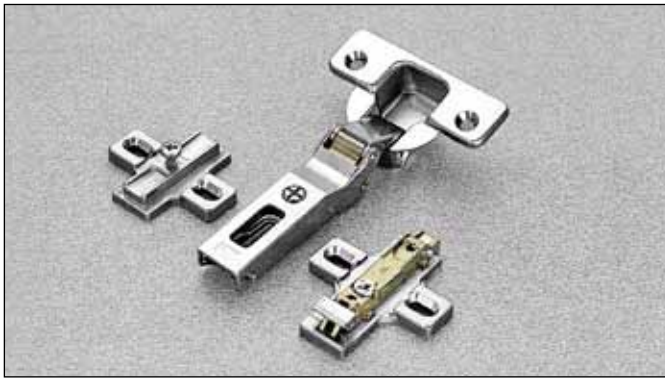
CA - C2\_BV99

Arm 45°



CA - C2\_BM99AC

## Series 200 - Complementary hinges



### Technical information

#### Hinges for wooden doors with negative angled assembly.

11 mm deep metal cup.

120° opening.

Possible drilling distance on the door (K): from 3 to 6 mm.

Compatible with all traditional Series 200 mounting plates and with all Domi snap-on mounting plates.

#### Packing

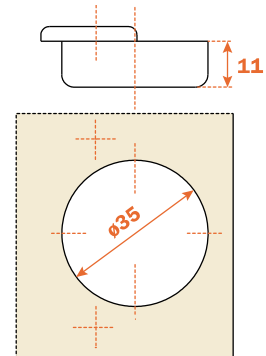
Boxes 150 pcs.

Pallets 3.600 pcs.

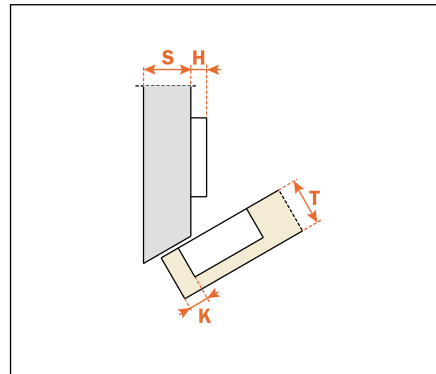
#### CA sprung hinge

The solution of assembly problems where doors are mounted at a negative angle requires the verification of drilling distances by a practical trial. Please do not hesitate to consult our technical support department for assistance.

Use the tables "Drillings and fixings" at page 83 to complete the code number of the desired hinge.

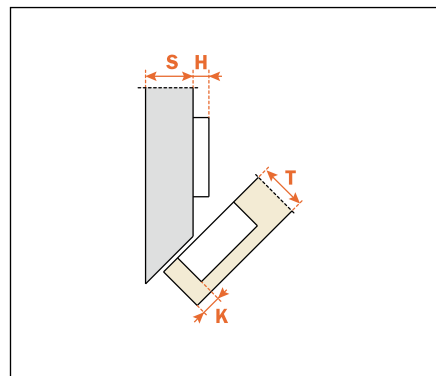


#### Arm -30°



CA - C2\_BW99

#### Arm -45°



CA - C2\_BH99



## Technical information

### Crampon hinges.

**For cabinet sides with 37x32 mm standard drilling.**

11 mm deep metal cup.

94° opening.

Possible drilling distance on the door (K): from 3 to 9 mm.

Compatible with all traditional Series 200 mounting plates and with all Domi snap-on mounting plates.

### Packing

Boxes 150 pcs.

Pallets 3.600 pcs.

CA sprung hinge

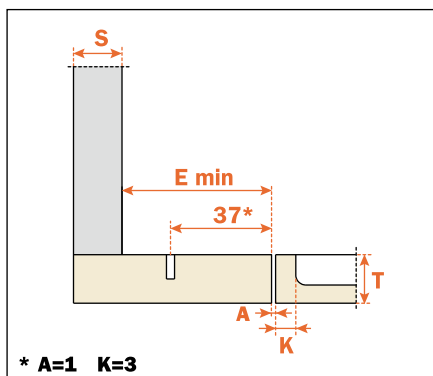
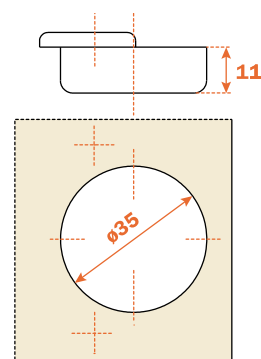
### E min:

61 mm for Series 200 mounting plates.

70 mm for Domi snap-on mounting plates.

74 mm for Domi snap-on mounting plates with back cam.

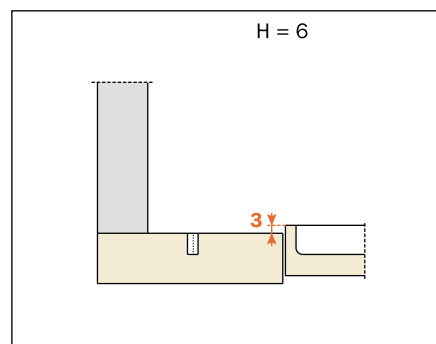
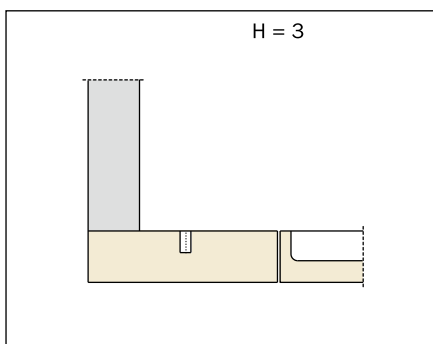
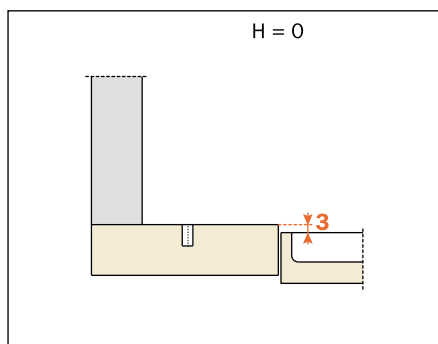
Use the tables "Drillings and fixings" at page 83 to complete the code number of the desired hinge.



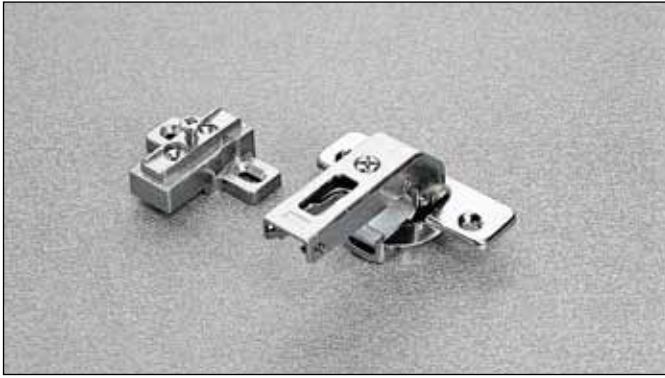
\* A=1 K=3

CA - C2\_BN99AC

Heights of mounting plates for every assembly.



## Series 200 - Complementary hinges



### Technical information

#### Crampon hinges.

#### For smaller spaces with 15x32 mm drilling.

11 mm deep metal cup.

94° opening.

Possible drilling distance on the door (K): from 3 to 9 mm.

Compatible with all traditional Series 200 mounting plates, 28x32 mm drilling.

**NOT COMPATIBLE** with Domi snap-on mounting plates.

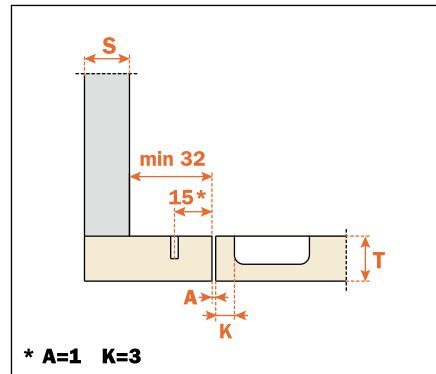
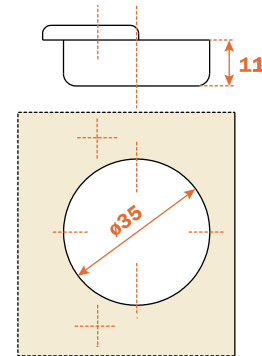
#### Packing

Boxes 150 pcs.

Pallets 3.600 pcs.

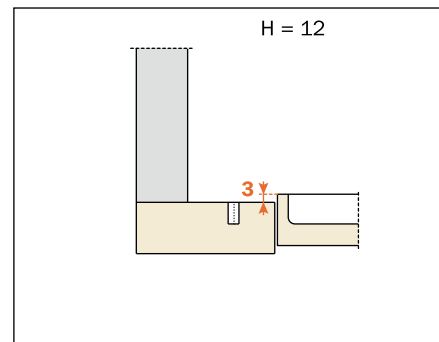
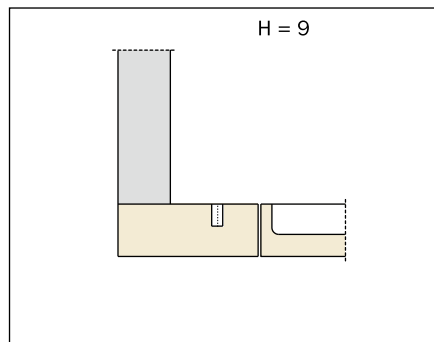
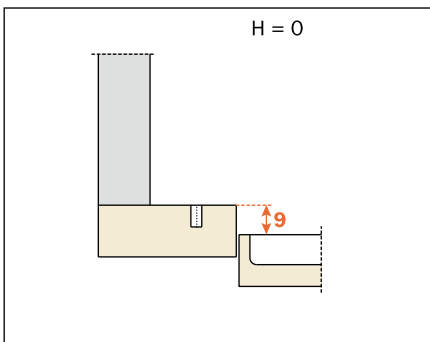
CA sprung hinge

Use the tables "Drillings and fixings" at page 83 to complete the code number of the desired hinge.



CA - C2\_BN99

Heights of mounting plates for every assembly.







## Technical information

### Long crampon hinges.

11 mm deep metal cup.

110° opening.

Possible drilling distance on the door (K): from 3 to 6 mm.

Compatible with all traditional Series 200 mounting plates and with all Domi snap-on mounting plates.

### Packing

Boxes 150 pcs.

Pallets 3.600 pcs.

### E min:

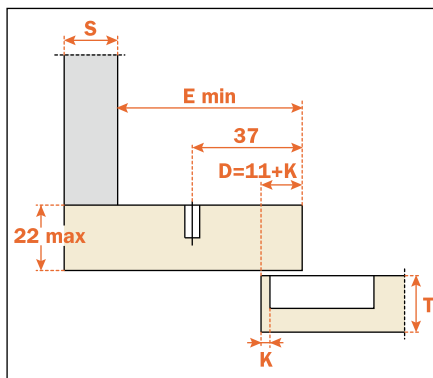
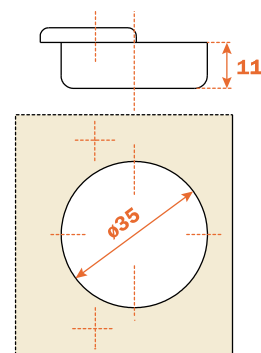
61 mm for Series 200 mounting plates.

70 mm for Domi snap-on mounting plates.

74 mm for Domi snap-on mounting plates with back cam.

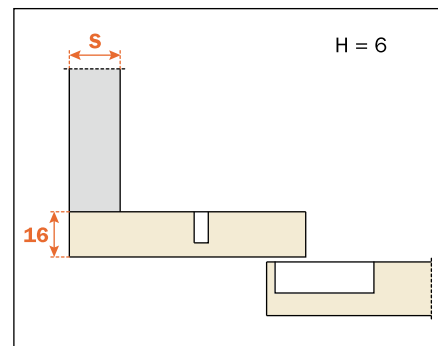
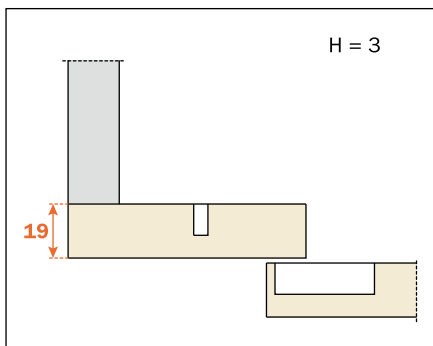
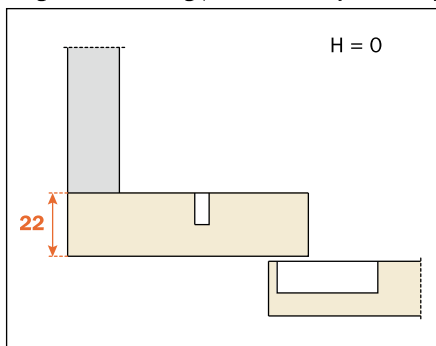
### CA sprung hinge

Use the tables "Drillings and fixings" at page 83 to complete the code number of the desired hinge.



### CA - C2\_6N99AM

Heights of mounting plates for every assembly.



# Series 200 - Complementary hinges



## Technical information

### Hinges for corner cabinets.

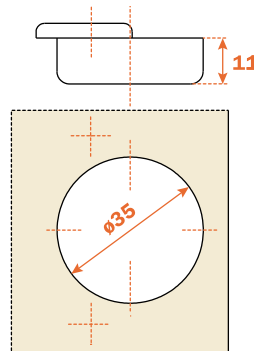
11 mm deep die-cast cup.  
 35 mm cup diameter.  
 Opening angle of the first door 70°.  
 Possible drilling distance on the door (K) : from 3 to 6 mm.

Maximum thickness of the door with square edges: 23 mm.  
 For thicker doors or doors with mouldings or with large radiussed edges, please refer to our technical assistance.  
 Compatible with all traditional Series 200 mounting plates and with all Domi snap-on mounting plates.

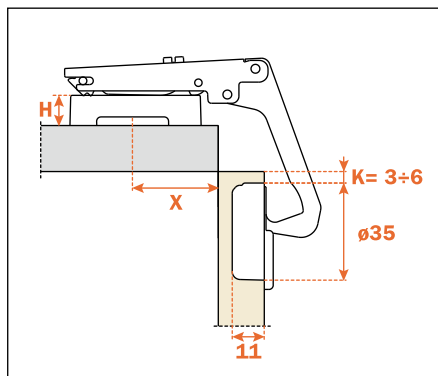
### Packing

Boxes 150 pcs.  
 Pallets 3.600 pcs.

Use the tables "Drillings and fixings" at page 83 to complete the code number of the desired hinge.



CA sprung hinge



CA - C2\_YA99

Use these formulas to determine the height of mounting plate and drilling distance

Drilling distance:  
 cruciform mounting plates =  $47 - T$

Drilling distance:  
 longitudinal mounting plates =  $(31 - T) + 32$

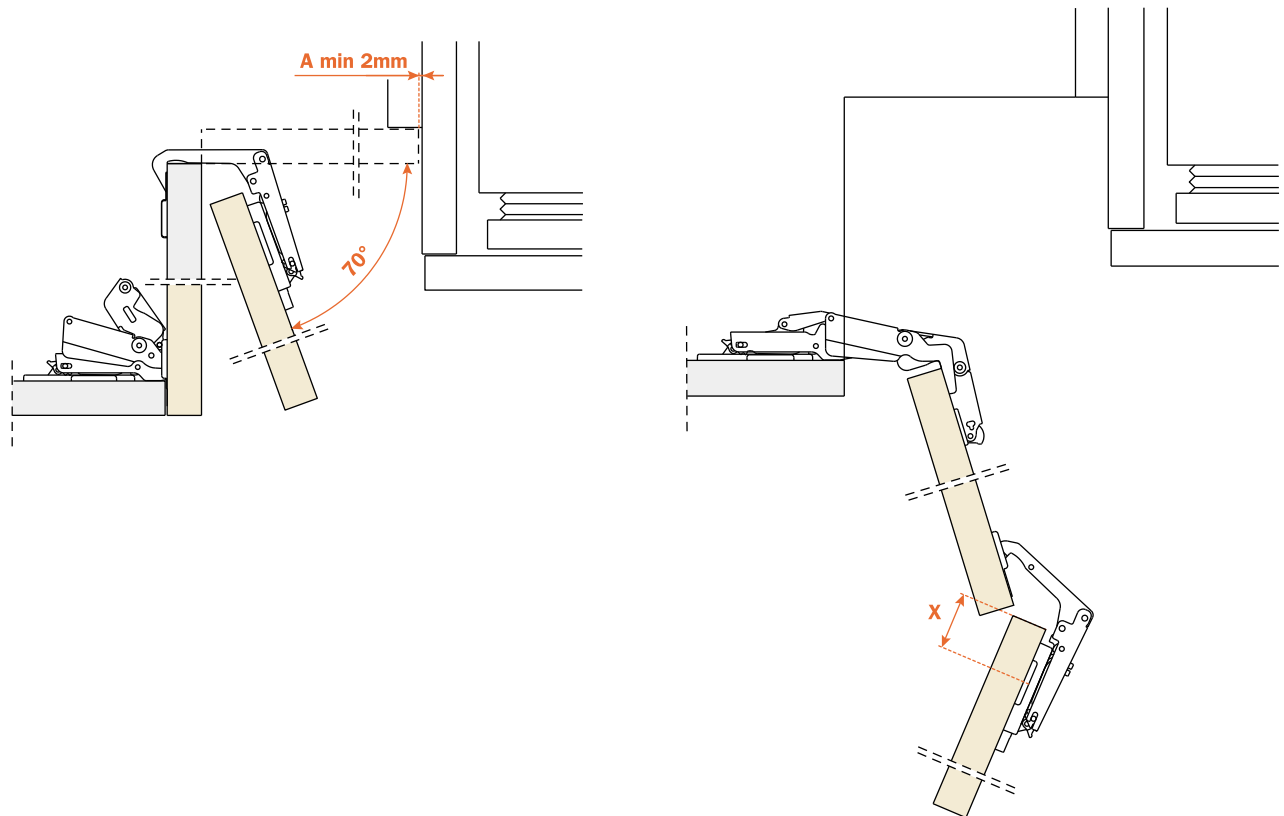
$H^* = 26 - T - K$   
 The mounting plate heights that are not standard are obtained with the mounting plate of lower height + sideways adjustment

T = Thickness of the door with square edges

Examples with doors with square edges

T	K	X	X	H
20	5	$47 - 20 = 27$ mm	$31 - 20 = 11 + 32$ mm	$26 - 20 - 5 = 1$ mm
16	6	$47 - 16 = 31$ mm	$31 - 16 = 15 + 32$ mm	$26 - 16 - 6 = 4$ mm
19	3	$47 - 19 = 28$ mm	$31 - 19 = 12 + 32$ mm	$26 - 19 - 3 = 4$ mm
18	4	$47 - 18 = 29$ mm	$31 - 18 = 13 + 32$ mm	$26 - 18 - 4 = 5$ (H = 4 + 1 mm adjustment)

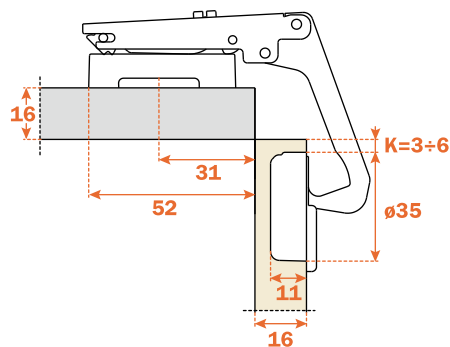
## C2AYA99 hinge movement and maximum opening width



### Space required to accommodate the hinge

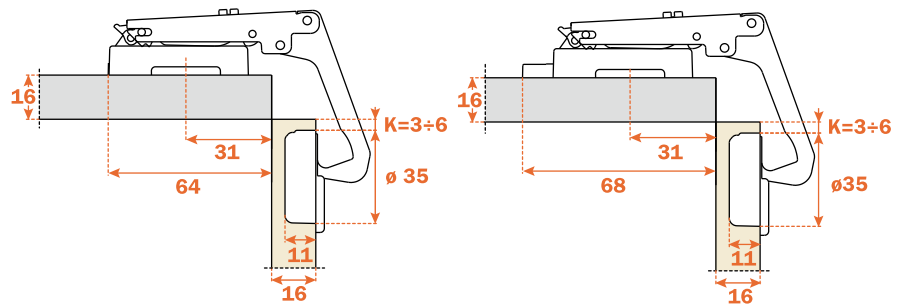
#### With Series 200 mounting plates

The maximum space required to accommodate the hinge is 52 mm with 16 mm thick doors. With thicker doors the amount of space required is reduced.



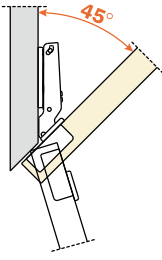
#### With Domi snap-on mounting plates

The maximum space required to accommodate the hinge with 16 mm thick doors is 64 mm with Domi mounting plates and 68 mm with mounting plates with back cam. With thicker doors the amount of space required is reduced.

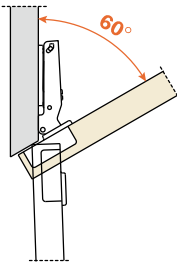


# Series 200 - Complementary hinges - Special angled assemblies

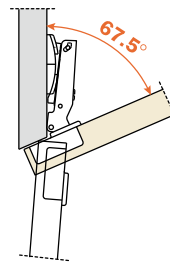
C2ABH99  
B2V3B09/15



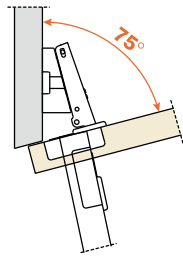
C2ABW99  
B2V3B09/15



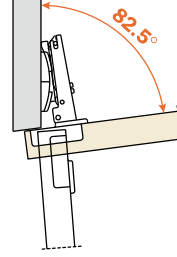
C2ABW99  
B2V3BW9R/15



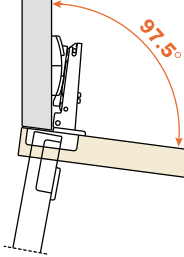
CFA7A99  
B2V3BW9/15



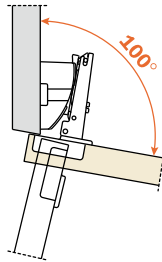
C2ABA99  
B2V3BW9R/15



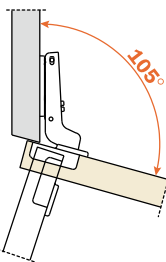
C2ABA99  
B2V3BW9R/15



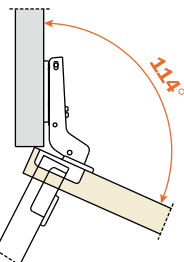
C2ABA99  
B2V3BW9S/15



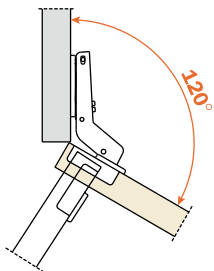
C2ABZ99  
B2V3B09/15



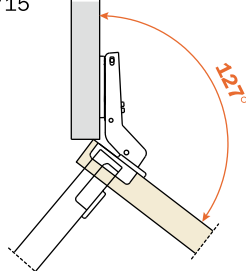
C2ABU99  
B2V3B09/15



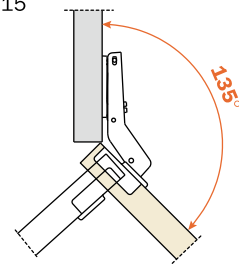
C2ABE99  
B2V3B09/15



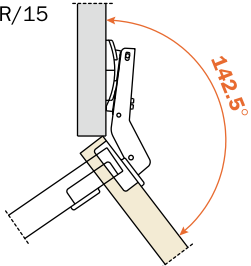
C2ABK99  
B2V3B09/15



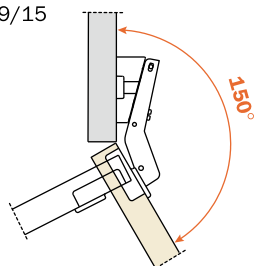
C2ABM99  
B2V3B09/15



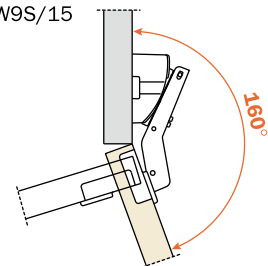
C2ABM99  
B2V3BW9R/15



C2ABM99  
B2V3BW9/15



C2ABM99  
B2V3BW9S/15





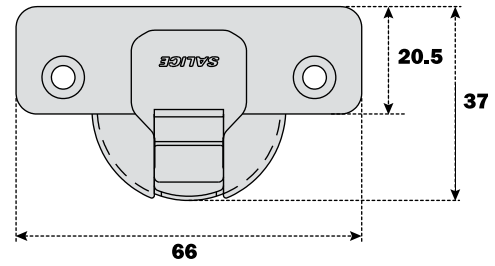
Silentia  
***SALICE***

## Silentia - Series 700



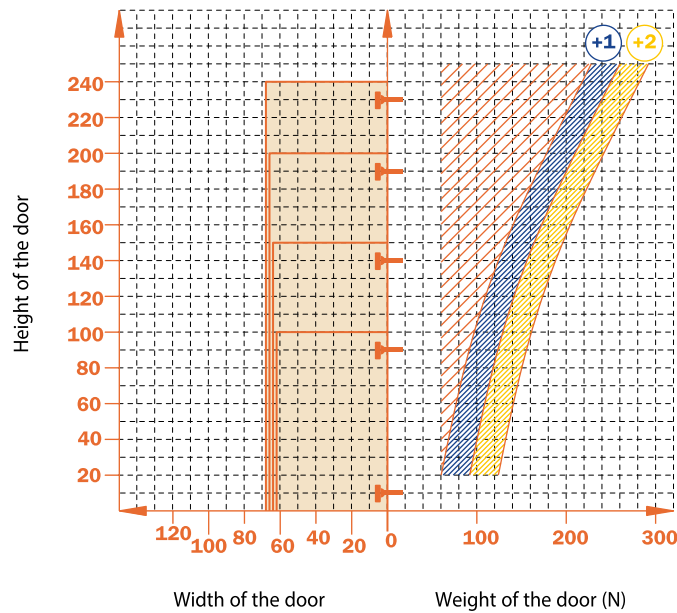
Hinges with integrated soft-close mechanism in the hinge cup.

Bright nickel plated steel cup and arm.  
Dimensions of the Ø 35 mm cup.



Constant "L" value of 0.7 mm (it does not change during side adjustment).

Approx. number of hinges required according to the door dimension and weight.



**Adjustments**

Compensated side adjustment from -1.5 mm to +4.5 mm.  
Height adjustment  $\pm 2$  mm.  
Depth adjustment with Series 200 mounting plates +2.8 mm.  
Depth adjustment with Domi snap-on mounting plates from -0.5 mm to +2.8 mm.  
Anti-sliding safety stop.

**Mounting plates**

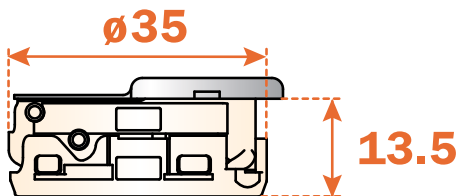
Symmetrical and asymmetrical bright nickel plated steel or die-cast Series 200 mounting plates.  
Snap-on assembly on Domi mounting plates.  
Positioning with pre-determined stop on traditional Series 200 mounting plates.

N.B. : Use POZIDRIVE No. 2 screwdrivers for all screws.

Wood screw		<b>A</b>	<b>A</b>	<b>P</b>	<b>P</b>	<b>U</b>	<b>U</b>
Rapido		<b>6</b>	<b>6</b>	<b>7</b>	<b>7</b>	<b>2</b>	<b>2</b>
Dowel		<b>B</b>	<b>B</b>	<b>R</b>	<b>R</b>	<b>W</b>	<b>W</b>
Logica		<b>I</b>	<b>I</b>	<b>J</b>	<b>J</b>	<b>Q</b>	<b>Q</b>

Use this table to identify the available drillings and fixings.  
 Fill the third position of the hinge code number with the letter or the number corresponding to your choice. I.e.: C7\_6AD9.

↑  
 Fill this position with the chosen letter or number.



110°, 155° opening  
 and complementary hinges



**Attention:**  
 it is essential to drill the door as specified for the perfect functioning of the hinge.





Technical information

Hinges with integrated soft-close mechanism in the hinge cup.

Hinges for min. 16 mm thick doors.

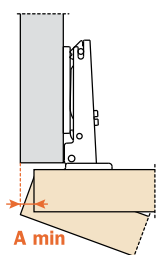
13.5 mm deep cup.

110° opening.

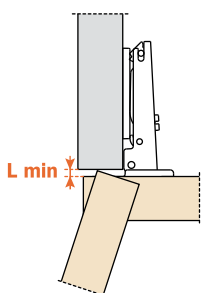
Possible drilling distance on the door (K): from 3 to 6 mm.

Compatible with all traditional Series 200 mounting plates and with all Domi snap-on mounting plates.

Space needed to open the door



	T=	16	17	18	19	20	21	22	23	24	25	26
K=3	A=	0.7	0.9	1.1	1.3	1.6	1.9	2.2	2.6	3.2	4.4	5.7
K=4	A=	0.6	0.8	1.1	1.3	1.6	1.8	2.2	2.5	2.9	3.4	4.7
K=5	A=	0.6	0.8	1.0	1.3	1.5	1.8	2.1	2.4	2.8	3.2	3.7
K=6	A=	0.6	0.8	1.0	1.2	1.5	1.8	2.1	2.4	2.7	3.1	3.6

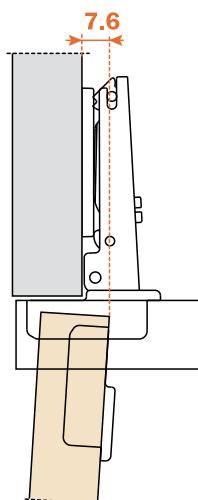


	T=	16	17	18	19	20	21	22	23	24	25	26
K=3	L=	0.0	0.0	0.0	0.0	0.0	0.0	0.0	0.2	0.4	0.6	0.9
K=4	L=	0.0	0.0	0.0	0.3	0.5	0.7	0.9	1.1	1.4	1.6	1.8
K=5	L=	0.6	0.8	1.0	1.2	1.5	1.7	1.9	2.1	2.4	2.6	2.8
K=6	L=	1.5	1.8	2.0	2.2	2.4	2.7	2.9	3.1	3.3	3.6	3.8

The above values are calculated on the assumption that the doors have square edges. They are reduced if the doors have radiused edges.

Projection of the door

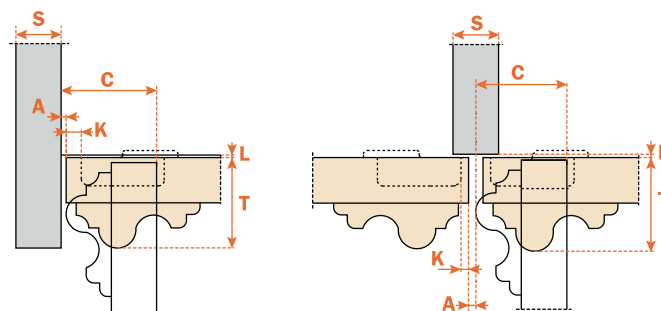
Projection of the door from the cabinet side at the max. opening. The figures are based on a straight arm hinge, H=0 mm thickness of mounting plate and K value = 3 mm.



"C" value

With this formula you can obtain the max. thickness of the moulded door that can be opened without touching adjacent carcase sides, doors or walls, whilst bearing in mind the above L-K-T values.

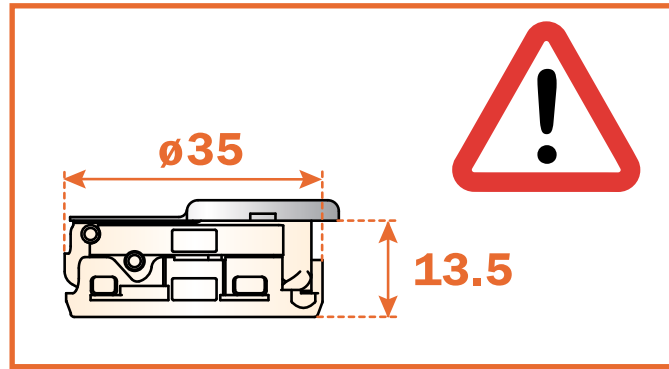
$$C = 22.5 + K + A$$



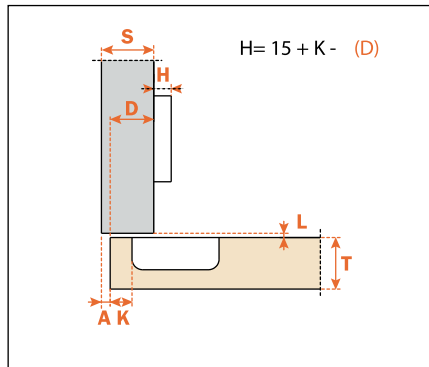
Packing  
Boxes 300 pcs.  
Pallets 7.200 pcs.

Use these formulas to determine the type of hinge arm, the drilling distance "K" and the height of the mounting plate "H" which is necessary to solve each application problem.

Use the tables "Drillings and fixings" at page 33 to complete the code number of the desired hinge.

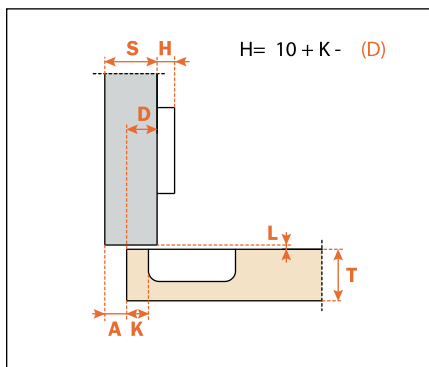


Arm 0



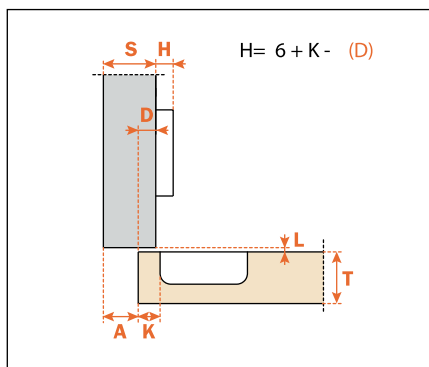
C7\_6AD9

Arm 5



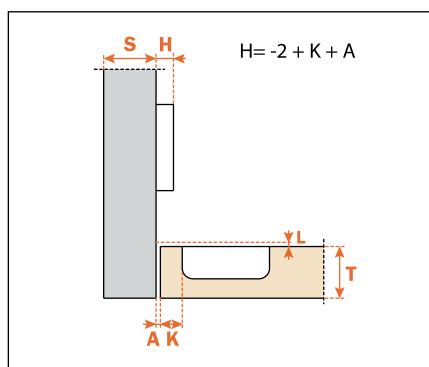
C7\_6DD9

Arm 9



C7\_6GD9

Arm 17



C7\_6PD9



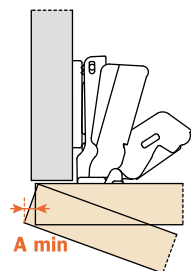
Technical information

Hinges with integrated soft-close mechanism in the hinge cup.

Hinges for thick doors 16 mm min.  
13.5 mm deep cup.  
155° opening.

Possible drilling distance on the door (K): from 3 to 8 mm.  
Compatible with all traditional Series 200 mounting plates and with all Domi snap-on mounting plates.

Space needed to open the door



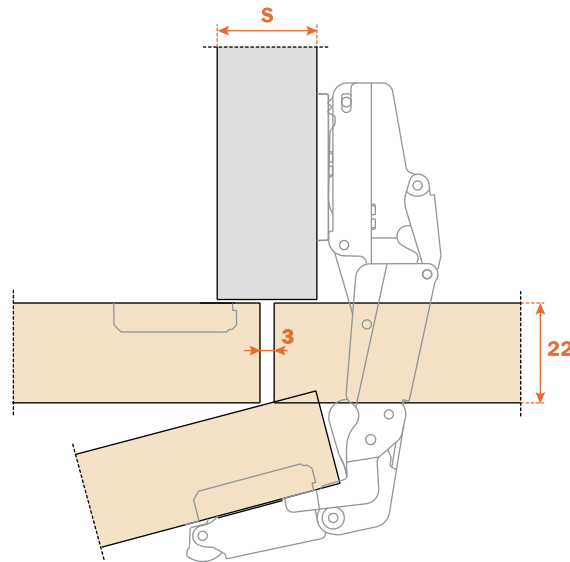
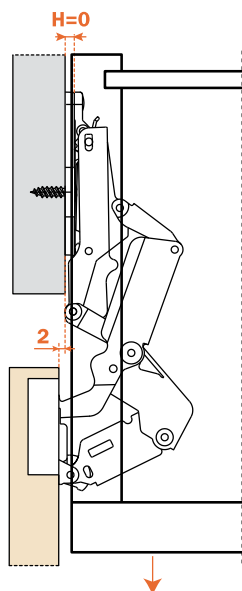
	T=	16	18	20	22
K=3	A=	0.0	0.0	0.3	1.2
K=4	A=	0.0	0.4	0.4	1.3
K=5	A=	0.0	0.1	0.5	1.6
K=6	A=	0.0	0.1	1.2	3.0
K=7	A=	0.0	0.1	0.7	2.5
K=8	A=	0.0	0.0	0.6	1.9

The above values are calculated on the assumption that the doors have square edges. They are reduced if the doors have radiussed edges.

"C" value

For spaces with removable components. The door combined with a mounting plate H=0 and a straight arm hinge opens at 90° with protrusion of 2 mm.

lateral door







**Lapis**  
***SALICE***

# Lapis - 110° opening



## Technical information

**Silentia hinges with cup integrated decelerating system and cover.**

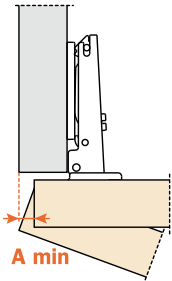
**Hinges for min. 16 mm thick doors.  
13.5 mm deep cup.**

110° opening.

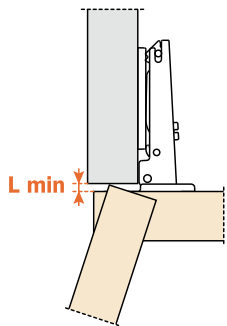
Possible drilling distance on the door (K): from 3 to 6 mm.

**Adaptable only with longitudinal Domi snap-on mounting plates (BAP).**

## Space needed to open the door



	T=	16	17	18	19	20	21	22	23	24	25	26
K=3	<b>A=</b>	0.7	0.9	1.1	1.3	1.6	1.9	2.2	2.6	3.2	4.4	5.7
K=4	<b>A=</b>	0.6	0.8	1.1	1.3	1.6	1.8	2.2	2.5	2.9	3.4	4.7
K=5	<b>A=</b>	0.6	0.8	1.0	1.3	1.5	1.8	2.1	2.4	2.8	3.2	3.7
K=6	<b>A=</b>	0.6	0.8	1.0	1.2	1.5	1.8	2.1	2.4	2.7	3.1	3.6

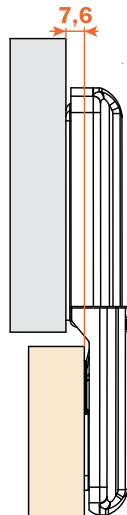


	T=	16	17	18	19	20	21	22	23	24	25	26
K=3	<b>L=</b>	0.0	0.0	0.0	0.0	0.0	0.0	0.0	0.2	0.4	0.6	0.9
K=4	<b>L=</b>	0.0	0.0	0.0	0.3	0.5	0.7	0.9	1.1	1.4	1.6	1.8
K=5	<b>L=</b>	0.6	0.8	1.0	1.2	1.5	1.7	1.9	2.1	2.4	2.6	2.8
K=6	<b>L=</b>	1.5	1.8	2.0	2.2	2.4	2.7	2.9	3.1	3.3	3.6	3.8

**The above values are calculated on the assumption that the doors have square edges. They are reduced if the doors have radiussed edges.**

## Projection of the door

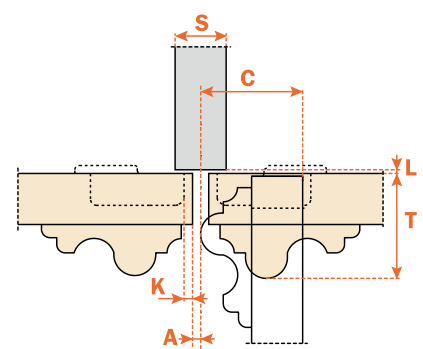
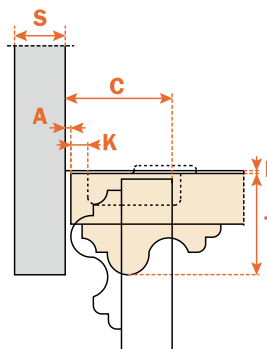
Projection of the door from the cabinet side at the max. opening. The figures are based on a straight arm hinge, H=0 mm thickness of mounting plate and K value = 3 mm.



## “C” value

With this formula you can obtain the max. thickness of the moulded door that can be opened without touching adjacent carcass sides, doors or walls, whilst bearing in mind the above L-K-T values.

$$C = 22.5 + K + A$$

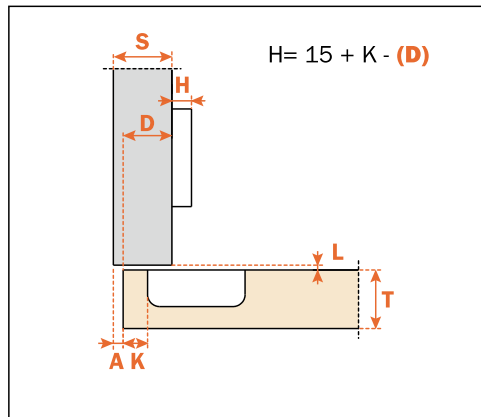


## Packing

Boxes 300 pcs.  
Pallets 7.200 pcs.

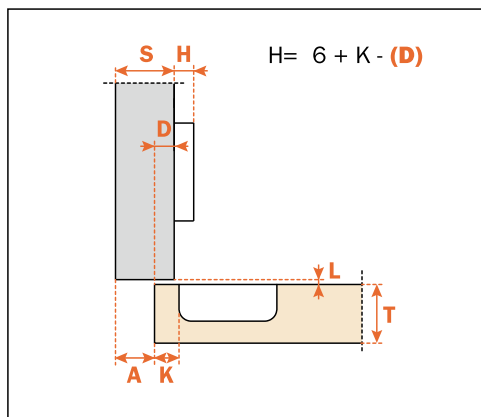
Use these formulas to determine the type of hinge arm, the drilling distance "K" and the height of the mounting plate "H" which is necessary to solve each application problem.

### Arm 0

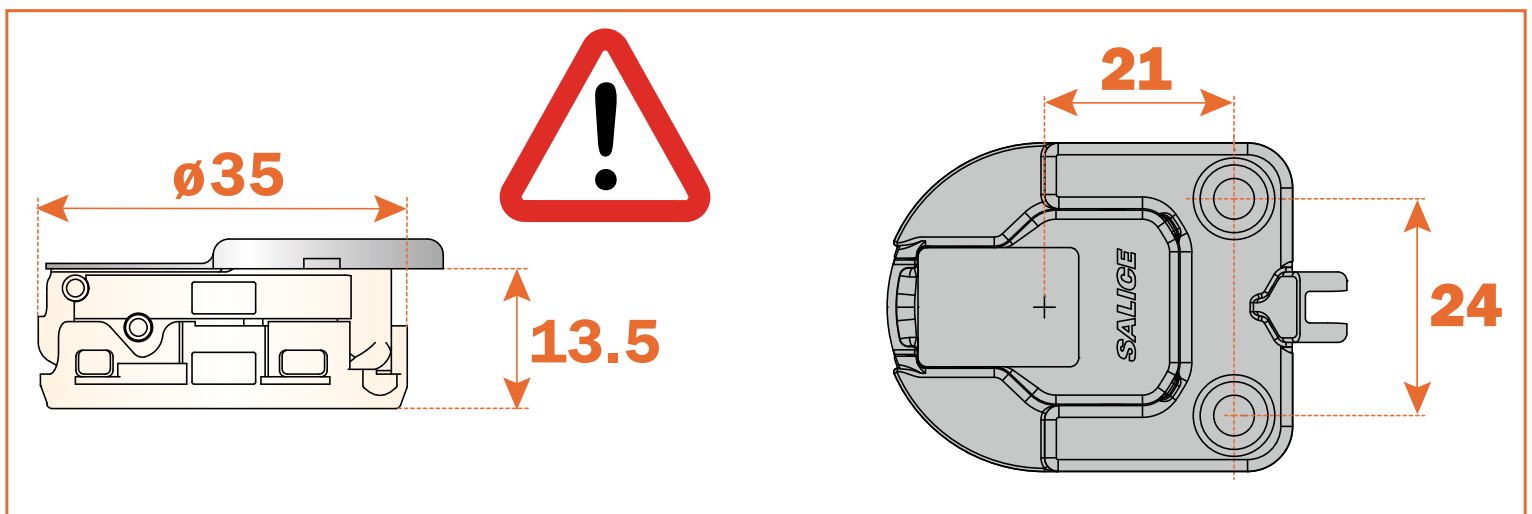


**C716AD9**

### Arm 9



**C716GD9**



# Domi snap-on mounting plates

## Packing

Boxes 300 pcs.  
Pallets 7.200 pcs.

- 21+32 mm drilling.
- Depth and height adjustment by cam.

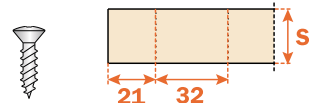
### BAP3R



Die-cast mounting plates.  
Fixing: wood screw.

B 3.5 DIN 7983.

H= 0 1 2 3 4 5 6

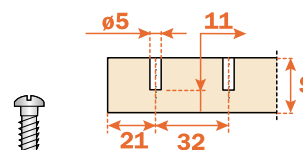


### BAPGR



Die-cast mounting plates.  
Fixing: Euro screw.  
Drilling  $\varnothing 5 \times 11$ .

H= 0 1 2 3 4 5 6

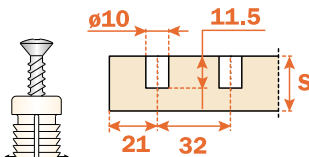


### BAPMR



Die-cast mounting plates.  
Fixing: expanding dowel.  
Drilling  $\varnothing 10 \times 11.5$  mm.

H= 0 1 2 3 4 5 6

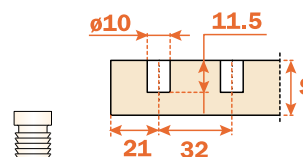


### BAP7R



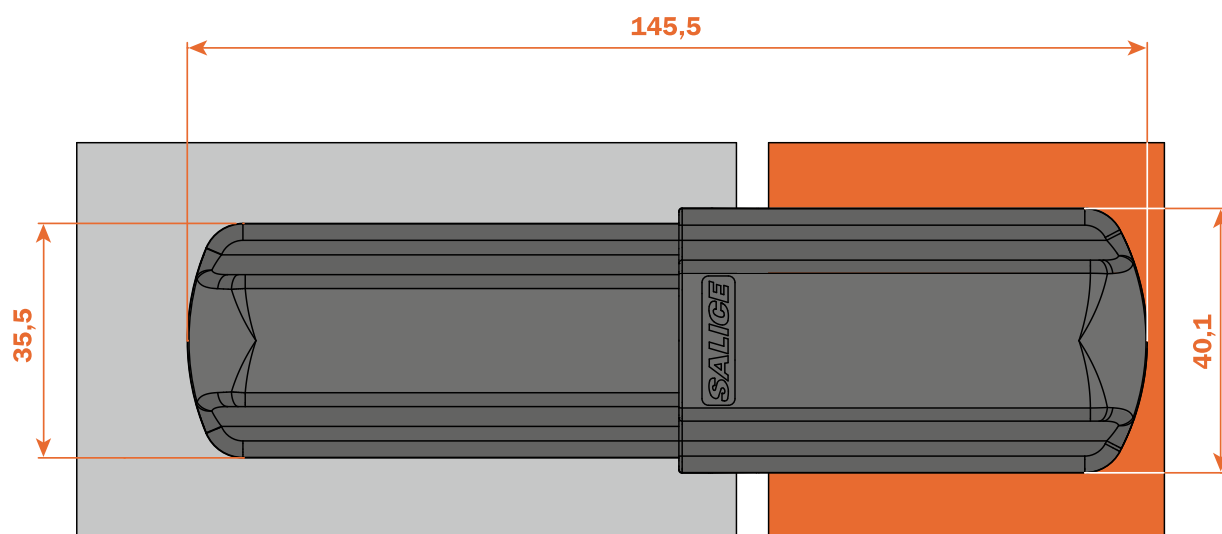
Die-cast mounting plates.  
Fixing: knock-in dowel.  
Drilling  $\varnothing 10 \times 11.5$  mm.

H= 0 1 2 3 4 5 6

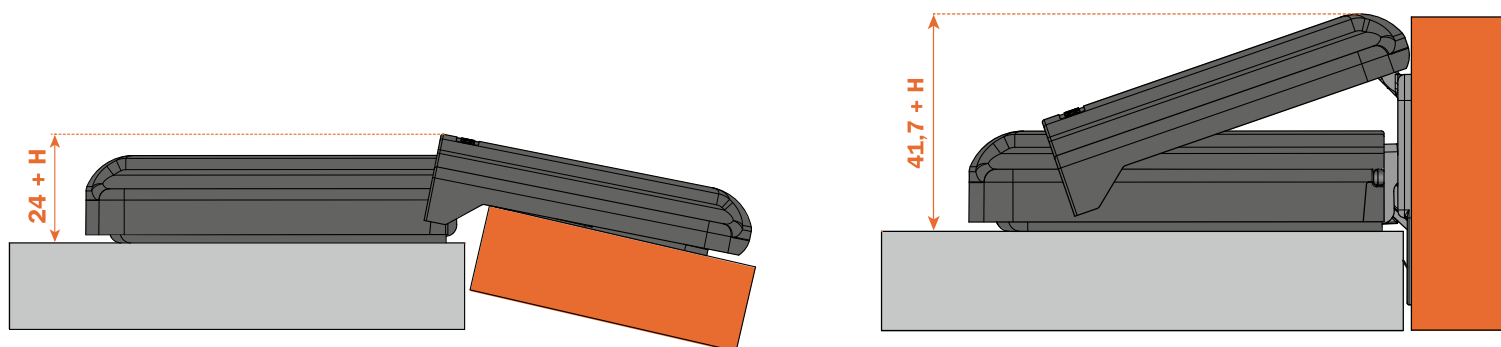


**Use mounting plates with 6 mm maximum height**

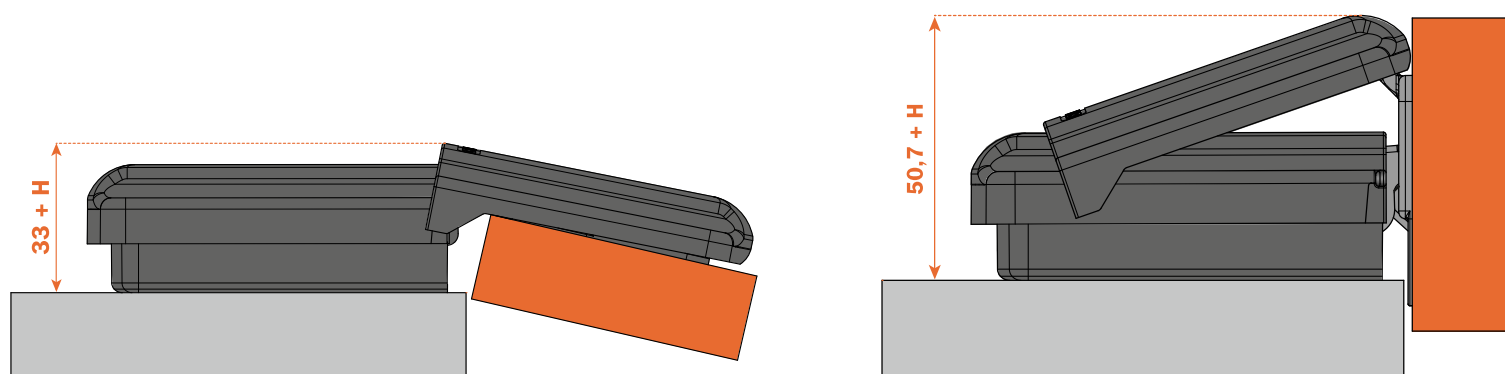




**Lapis hinge - 0 arm - 0 mounting plate**



**Lapis hinge - 9 arm - 0 mounting plate**



# Assembly instructions

After fixing the mounting plate, attach the skirt.



Attached skirt.



Clip the hinge onto the mounting plate.



## ATTACHMENT OF THE HINGE ARM COVER



Clip the cover onto the hinge arm.



Press to clip the cover.



## ATTACHMENT OF THE DOOR SIDE COVER

Lift the carrier.



Clip the cover onto the carrier.



Half-close the door to ensure that the covers are engaged correctly.



## Disassembly instructions

Half-close the door and lift the cover.



Open the door and push the cover firmly in the direction indicated.



Remove the cabinet side cover.



Unclip the hinge from the mounting plate.



Remove the skirt.



**P7A0A09**  
**SATIN CHROME**

Lapis cabinet side - Arm 0



**P7A9A09**  
**SATIN CHROME**

Lapis cabinet side - Arm 9



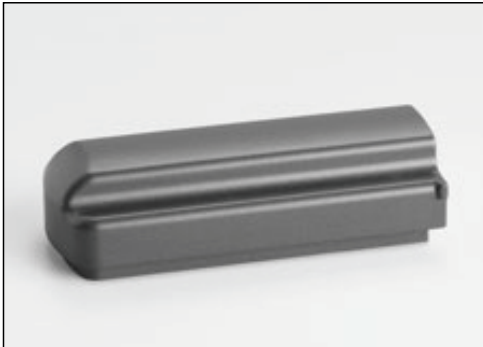
**P7SXA09SN**  
**SATIN CHROME**

Lapis door side



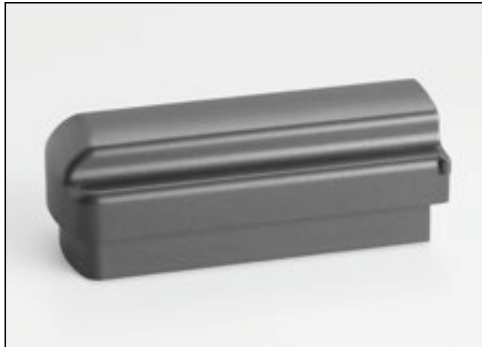
**P7A0A10**  
**SATIN METAL BLACK**

Lapis cabinet side - Arm 0



**P7A9A10**  
**SATIN METAL BLACK**

Lapis cabinet side - Arm 9



**P7SXA10SN**  
**SATIN METAL BLACK**

Lapis door side



**P7A0A1W**  
**SATIN GOLD**

Lapis cabinet side - Arm 0



**P7A9A1W**  
**SATIN GOLD**

Lapis cabinet side - Arm 9



**P7SXA1WSN**  
**SATIN GOLD**

Lapis door side



**P7A0A12**  
**MATT BROWN**

Lapis cabinet side - Arm 0



**P7A9A12**  
**MATT BROWN**

Lapis cabinet side - Arm 9



**P7SXA12SN**  
**MATT BROWN**

Lapis door side



# Finishes

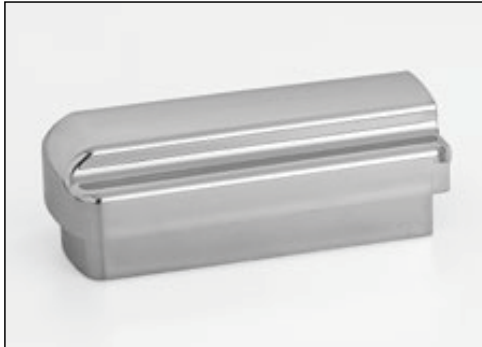
## **P7A0A06** **GLOSSY CHROME**

Lapis cabinet side - Arm 0



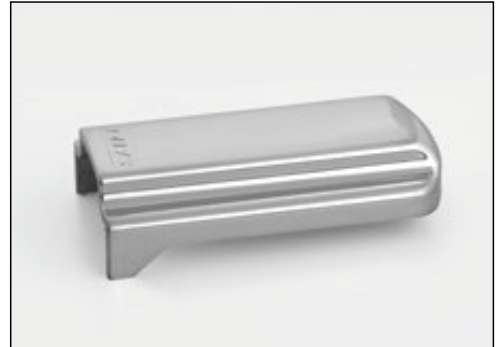
## **P7A9A06** **GLOSSY CHROME**

Lapis cabinet side - Arm 9



## **P7SXA06SN** **GLOSSY CHROME**

Lapis door side



## **P7A0A0N** **GLOSSY METAL BLACK**

Lapis cabinet side - Arm 0



## **P7A9A0N** **GLOSSY METAL BLACK**

Lapis cabinet side - Arm 9



## **P7SXA0NSN** **GLOSSY METAL BLACK**

Lapis door side



## **P7A0A08** **GLOSSY GOLD**

Lapis cabinet side - Arm 0



## **P7A9A08** **GLOSSY GOLD**

Lapis cabinet side - Arm 9



## **P7SXA08SN** **GLOSSY GOLD**

Lapis door side



## **P7A0AK4** **GLOSSY CARBON**

Lapis cabinet side - Arm 0



## **P7A9AK4** **GLOSSY CARBON**

Lapis cabinet side - Arm 9



## **P7SXAK4SN** **GLOSSY CARBON**

Lapis door side



**P7A0A07**  
**OLD BRASS**

Lapis cabinet side - Arm 0



**P7A9A07**  
**OLD BRASS**

Lapis cabinet side - Arm 9



**P7SXA07SN**  
**OLD BRASS**

Lapis door side



**P7A0AKU**  
**GLOSSY MAHOGANY BRIAR-ROOT**

Lapis cabinet side - Arm 0



**P7A9AKU**  
**GLOSSY MAHOGANY BRIAR-ROOT**

Lapis cabinet side - Arm 9



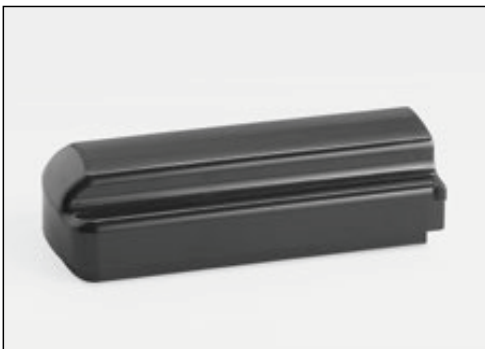
**P7SXAKUSN**  
**GLOSSY MAHOGANY BRIAR-ROOT**

Lapis door side



**P7A0AA3**  
**BLACK**

Lapis cabinet side - Arm 0



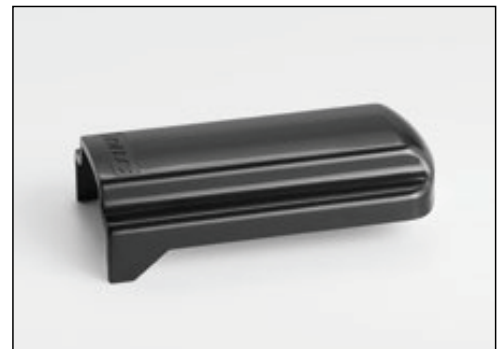
**P7A9AA3**  
**BLACK**

Lapis cabinet side - Arm 9



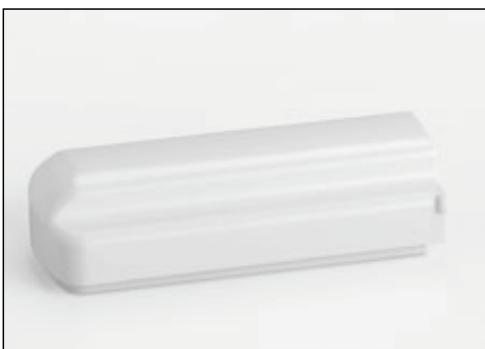
**P7SXAA3SN**  
**BLACK**

Lapis door side



**P7A0A11**  
**MATT WHITE**

Lapis cabinet side - Arm 0



**P7A9A11**  
**MATT WHITE**

Lapis cabinet side - Arm 9



**P7SXA11SN**  
**MATT WHITE**

Lapis door side

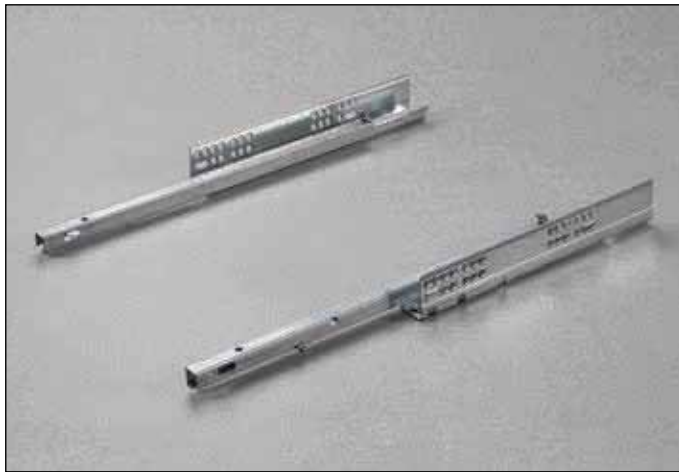






***SALICE***

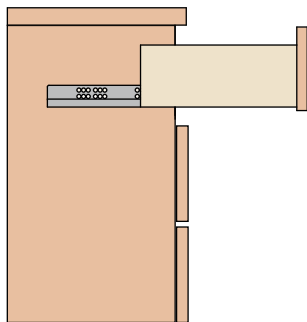
Runners and drawers



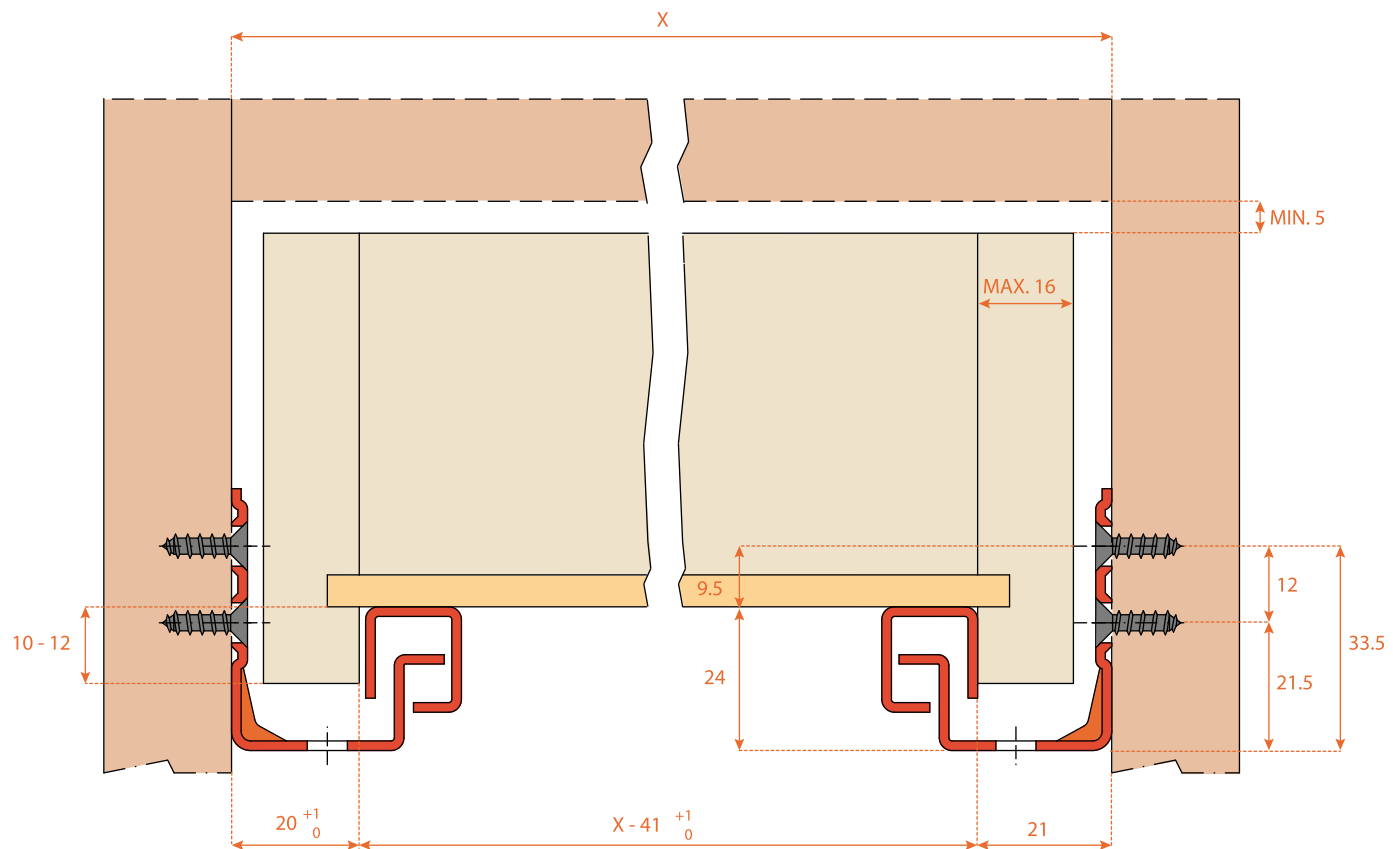
Part-extension runner fixed to the drawer by clip.

Product features

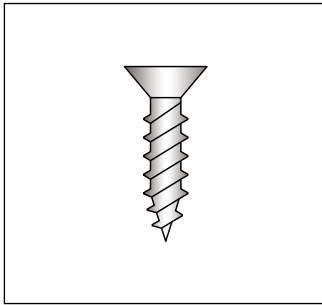
- Dynamic load capacity N 294 (Kg 30).
- Self-closing device on drawer.
- Safety system that prevents the drawers from turning over.
- Drawer height adjustment +2,5 mm.
- The drawer is maintained parallel with the cabinet side during opening.
- Compatible with ART. 655.
- Finish: bright zinc-plated.



Dimensions



## Part number



To be screw fixed  
Screw TSP  $\varnothing$  3,5 mm

BASIC PART NUMBER	RUNNER LENGTH (LN)	=	MIN. DEPTH OF THE CABINET (PM)
1 0 615 00 250 2 0 0	250		250
1 0 615 00 270 2 0 0	270		270
1 0 615 00 300 2 0 0	300		300
1 0 615 00 350 2 0 0	350		350
1 0 615 00 400 2 0 0	400		400
1 0 615 00 450 2 0 0	450		450
1 0 615 00 470 2 0 0	470		470
1 0 615 00 500 2 0 0	500		500
1 0 615 00 550 2 0 0	550		550
1 0 615 00 600 2 0 0	600		600

## Fixing the drawer onto the runners

Clip part number 1 0 710 00 010 1 0 0

Detail of the clip with tool free integrated height adjustment.



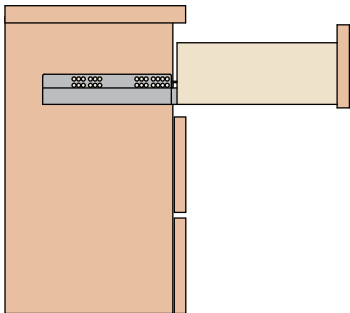


Full-extension runner fixed to the drawer by clip.

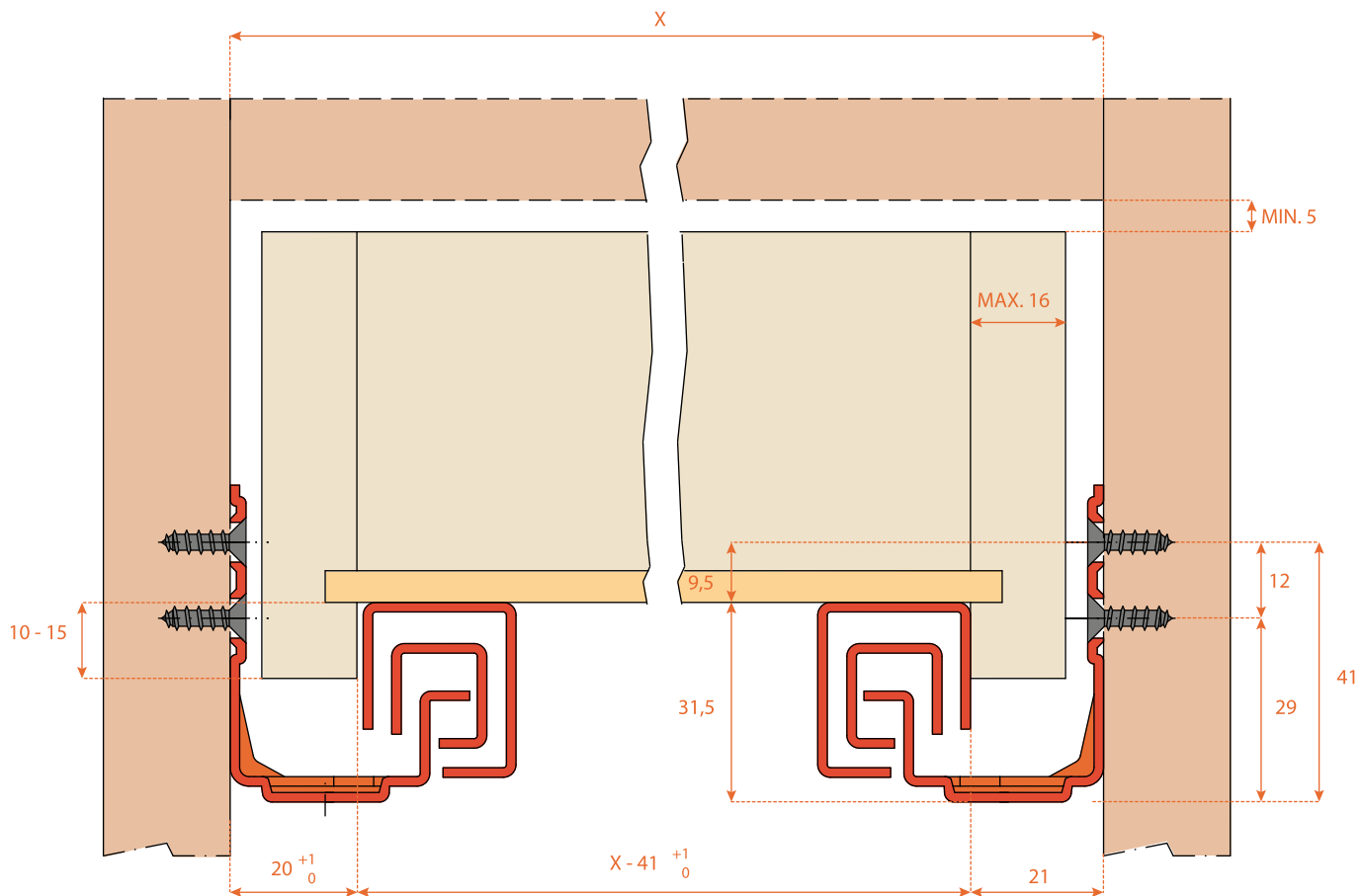
Smove: fully integrated in the runner, decelerates the closing action of the drawer.

#### Product features

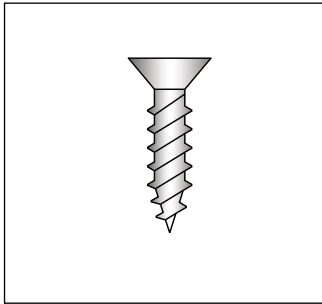
- Dynamic load capacity N 294 (Kg 30).
- Smove decelerated closing.
- Safety system that prevents the drawers from turning over.
- Drawer height adjustment +2.5 mm with clip 10 710.
- Drawer height adjustment +2.5 mm, side adjustment  $\pm 1.5$  mm, depth adjustment  $\pm 2$  mm with clip 10 750.
- The drawer is maintained parallel with the cabinet side during opening.
- Compatible with ART. 6155.
- Finish: bright zinc-plated.



#### Dimensions



## Part number



To be screw fixed  
Screw TSP ø 3,5 mm

BASIC PART NUMBER	RUNNER LENGTH (LN)	=	MIN. DEPTH OF THE CABINET (PM)
1 0 655 50 250 2 0 0	250		260
1 0 655 50 270 2 0 0	270		280
1 0 655 50 300 2 0 0	300		310
1 0 655 50 350 2 0 0	350		360
1 0 655 50 400 2 0 0	400		410
1 0 655 50 450 2 0 0	450		460
1 0 655 50 470 2 0 0	470		480
1 0 655 50 500 2 0 0	500		510
1 0 655 50 550 2 0 0	550		555
1 0 655 50 600 2 0 0	600		605

## Fixing the drawer onto the runners

Clip part number 1 0 710 00 010 1 0 0

Detail of the clip with tool free integrated height adjustment.



Clip part number 1 0 750 00 010 1 0 0

Detail of the tool free integrated 3-way adjustment clip (height, depth and side adjustment).

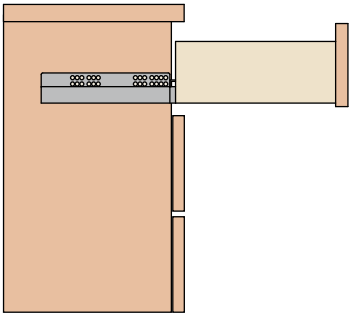




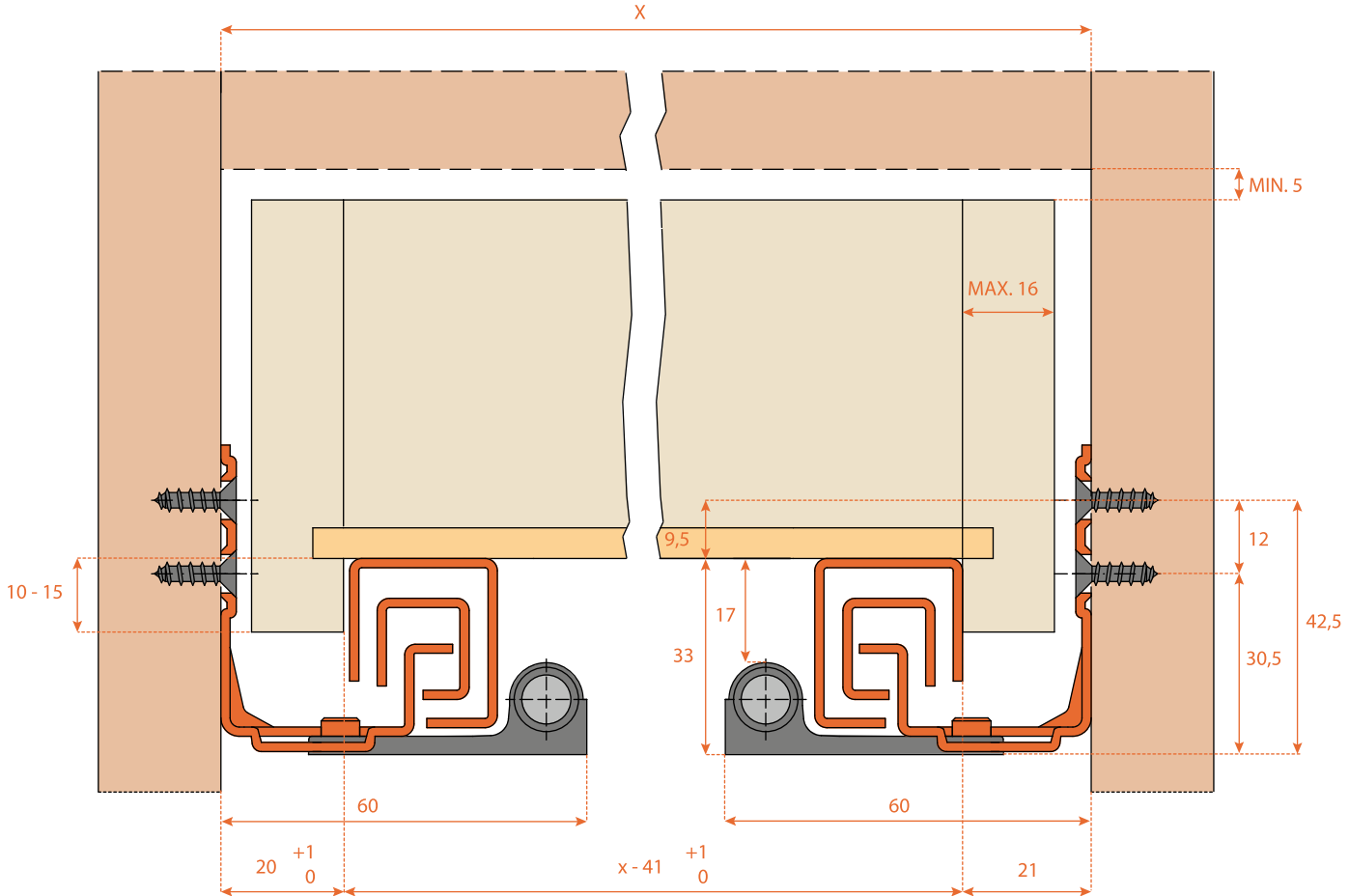
Full-extension runner system fixed to the drawer by clip.  
 The Push self-opening system for handle-less drawers is fully integrated into the runner.  
 A slight pressure on the drawer frontal is sufficient for the drawer to self-open.  
 The Smove decelerated closing action is also fully integrated into the runner.

#### Product features

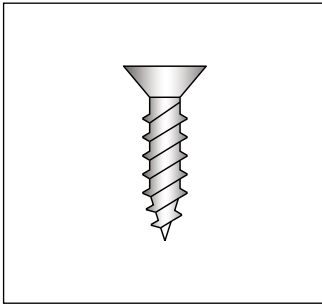
- Safety system that secures the drawer to the runner.
- Drawer height adjustment +2.5 mm with clip 10 710.
- Drawer height adjustment +2.5 mm, side adjustment  $\pm 1.5$  mm, depth adjustment  $\pm 2$  mm with clip 10 750.
- The drawer is maintained parallel with the cabinet side during opening.
- Finish: bright zinc-plated.



#### Dimensions



Part number



To be screw fixed  
Screw TSP ø 3,5 mm

BASIC PART NUMBER	RUNNER LENGTH (LN)	=	MIN. DEPTH OF THE CABINET (PM)
1 0 655 80 300 2 0 0	300		310
1 0 655 80 350 2 0 0	350		360
1 0 655 80 400 2 0 0	400		410
1 0 655 80 450 2 0 0	450		460
1 0 655 80 470 2 0 0	470		480
1 0 655 80 500 2 0 0	500		510

Fixing the drawer onto the runners

Clip part number 1 0 710 00 010 1 0 0

Detail of the clip with tool free integrated height adjustment.



Clip part number 1 0 750 00 010 1 0 0

Detail of the tool free integrated 3-way adjustment clip (height, depth and side adjustment).









## Lifetime Guarantee

### Congratulations

The product you have purchased is one of the best you can find on the market. Salice guarantees the furniture owner that its hinges, lift systems and drawer runners are free from any defects in materials.

All Salice hardware undergoes strict quality control procedures through all production stages.

Salice hardware is designed for cabinets and cabinet components made from wood, particle board, plywood or MDF. Careful attention must be paid to installation & operating instructions when using Salice hardware, further information on [www.salice.com](http://www.salice.com). Salice products should not be exposed to corrosive liquids, eg household cleaning solution.

#### Limited warranty

Should there be problems with our products, such as defects in material, and workmanship, Salice will replace the defective hinge, runners or lift systems (or part of them) with a new one. This warranty does not specially cover any causes of malfunction other than defects in material and workmanship, such as malfunction caused by misuse, abuse, accident, modification, improper installation or usual and customary wear. In order to avoid any misunderstanding Salice specify that will only replace the product and will not cover any cost of the removal of the defective item nor its installation. The warranty of Salice does not cover those products which have been incorrectly installed or used for purposes other than they are intended.

Should the Salice products be obsolete or discontinued, Salice reserves the right to replace the defective hardware with a current offering. No guarantee of interchangeability is offered.

## Lifetime Guarantee

### Replacement procedure

Any claim for replacement must be notified to Arturo Salice Spa only, at the following address:

**ARTURO SALICE S.p.A.**  
**VIA PROVINCIALE NOVEDRATESE, 10**  
**22060 NOVEDRATE (COMO) ITALIA**  
**TEL. 031 790424**  
**FAX 031 791508**  
**info.salice@salice.com**  
**www.salice.com**

### To obtain the warranty service you must provide:

- Your full name and address
- Phone number and email address
- Photo of the damaged product
- Photo of all Salice products installed in the cabinet
- Description of the problem

Upon request you might also be asked to post the claimed item.

### Other terms and conditions:

ALL WARRANTIES IMPLIED BY STATE LAW, INCLUDING THE IMPLIED WARRANTIES OF MERCHANTABILITY AND FITNESS FOR A PARTICULAR PURPOSE, ARE EXPRESSLY LIMITED AS SET FORTH ABOVE. However, some states/countries do not allow limitations on how long an implied warranty lasts, so the above limitation may not apply to you. WITH THE EXCEPTION OF ANY WARRANTIES IMPLIED BY STATE/COUNTRY LAW AS HEREBY LIMITED, THE FOREGOING EXPRESS LIMITED WARRANTY IS EXCLUSIVE AND IN LIEU OF ANY OTHER WARRANTIES OF SALICE WITH RESPECT TO THE REPAIR OR REPLACEMENT OF ANY PROPS OR PARTS. IN NO EVENT SHALL SALICE BE LIABLE FOR CONSEQUENTIAL OR INCIDENTAL DAMAGES RESULTING FROM THE USE, INSTALLATION, PERFORMANCE OR FAILURE OF ITS HARDWARE. However, some states/countries do allow the exclusion of limitation of incidental or consequential damages, so the above exclusion may not apply to you. This limited warranty gives you specific legal rights, and you may also have other rights which vary from state/country to state/country.

Arturo Salice S.p.A.

Only  
*Made in Italy*  
Since 1926



***SALICE***

**Lifetime Guarantee**



**Furniture owner's certificate**

# Congratulations

The product you have purchased is one of the best you can find on the market. Salice guarantees the furniture owner that its hinges, lift systems and drawer runners are free from any defects in materials.

All Salice hardware undergoes strict quality control procedures through all production stages. Salice hardware is designed for cabinets and cabinet components made from wood, particle board, plywood or MDF. Careful attention must be paid to installation & operating instructions when using Salice hardware, further information on [www.salice.com](http://www.salice.com). Salice products should not be exposed to corrosive liquids, eg household cleaning solution.

## Limited warranty

Should there be problems with our products, such as defects in material, and workmanship, Salice will replace the defective hinge, runners or lift systems (or part of them) with a new one. This warranty does not specially cover any causes of malfunction other than defects in material and workmanship, such as malfunction caused by misuse, abuse, accident, modification, improper installation or usual and customary wear. In order to avoid any misunderstanding Salice specify that will only replace the product and will not cover any cost of the removal of the defective item nor its installation. The warranty of Salice does not cover those products which have been incorrectly installed or used for purposes other than they are intended.

Should the Salice products be obsolete or discontinued, Salice reserves the right to replace the defective hardware with a current offering. No guarantee of interchangeability is offered.

## Replacement procedure

Any claim for replacement must be notified to Arturo Salice Spa only, at the following address:

**ARTURO SALICE S.p.A.**  
**VIA PROVINCIALE NOVEDRATESE, 10**  
**22060 NOVEDRATE (COMO) ITALIA**  
**TEL. 031 790424**  
**FAX 031 791508**  
**info.salice@salice.com**  
**www.salice.com**

## To obtain the warranty service you must provide:

- Your full name and address
- Phone number and email address
- Photo of the damaged product
- Photo of all Salice products installed in the cabinet
- Description of the problem

Upon request you might also be asked to post the claimed item.



## Other terms and conditions:

ALL WARRANTIES IMPLIED BY STATE LAW, INCLUDING THE IMPLIED WARRANTIES OF MERCHANTABILITY AND FITNESS FOR A PARTICULAR PURPOSE, ARE EXPRESSLY LIMITED AS SET FORTH ABOVE. However, some states/countries do not allow limitations on how long an implied warranty lasts, so the above limitation may not apply to you. WITH THE EXCEPTION OF ANY WARRANTIES IMPLIED BY STATE/COUNTRY LAW AS HEREBY LIMITED, THE FOREGOING EXPRESS LIMITED WARRANTY IS EXCLUSIVE AND IN LIEU OF ANY OTHER WARRANTIES OF SALICE WITH RESPECT TO THE REPAIR OR REPLACEMENT OF ANY PROPS OR PARTS. IN NO EVENT SHALL SALICE BE LIABLE FOR CONSEQUENTIAL OR INCIDENTAL DAMAGES RESULTING FROM THE USE, INSTALLATION, PERFORMANCE OR FAILURE OF ITS HARDWARE. However, some states/countries do allow the exclusion of limitation of incidental or consequential damages, so the above exclusion may not apply to you. This limited warranty gives you specific legal rights, and you may also have other rights which vary from state/country to state/country.

Arturo Salice S.p.A.

Only  
**Made in Italy**  
Since 1926





**Lineabox**  
***SALICE***



## Lineabox - Metal drawer

Clean, simple lines with minimal wall thickness to maximize internal space.  
Streamlined aesthetics uncluttered with holes or assembly components.  
Assembly is rapid without the need for machines or templates.  
Fluid, silent and progressive sliding movement, thanks to Futura full-extension runners.



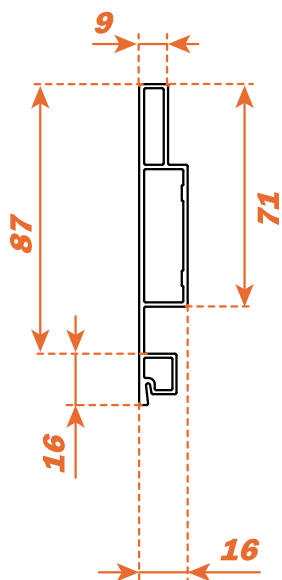
## Lineabox - Metal drawer - 2-sided - H 103 mm



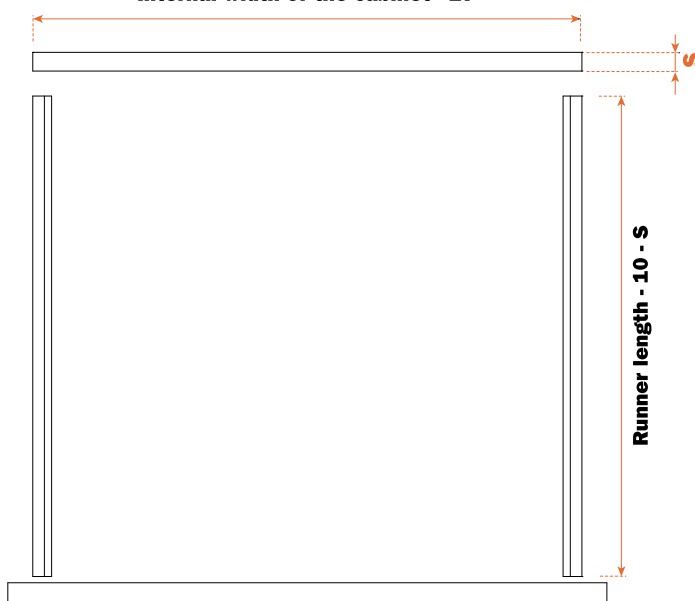
**Lineabox metal sides, wooden frontal and back panel.**  
**Height of the side 103 mm - Internal height 71 mm**  
**For use with Futura full-extension runners:**  
**652 - 655 - 6527 - 6557 - 6525 - 6555 (consult the general catalogue "Runners and drawers").**

- Rapid assembly system, with no machinery or templates needed.
- Rapid mounting and removal of drawer frontal.
- The back can be personalised according the width of the cabinet.
- Height, sideways and depth adjustment of the drawer incorporated in the runner fixing clips.
- Bottom thickness 15 mm.
- Material: Aluminium.
- Finishes:
  - Stainless
  - Champagne
  - Titanium
  - Black
  - White

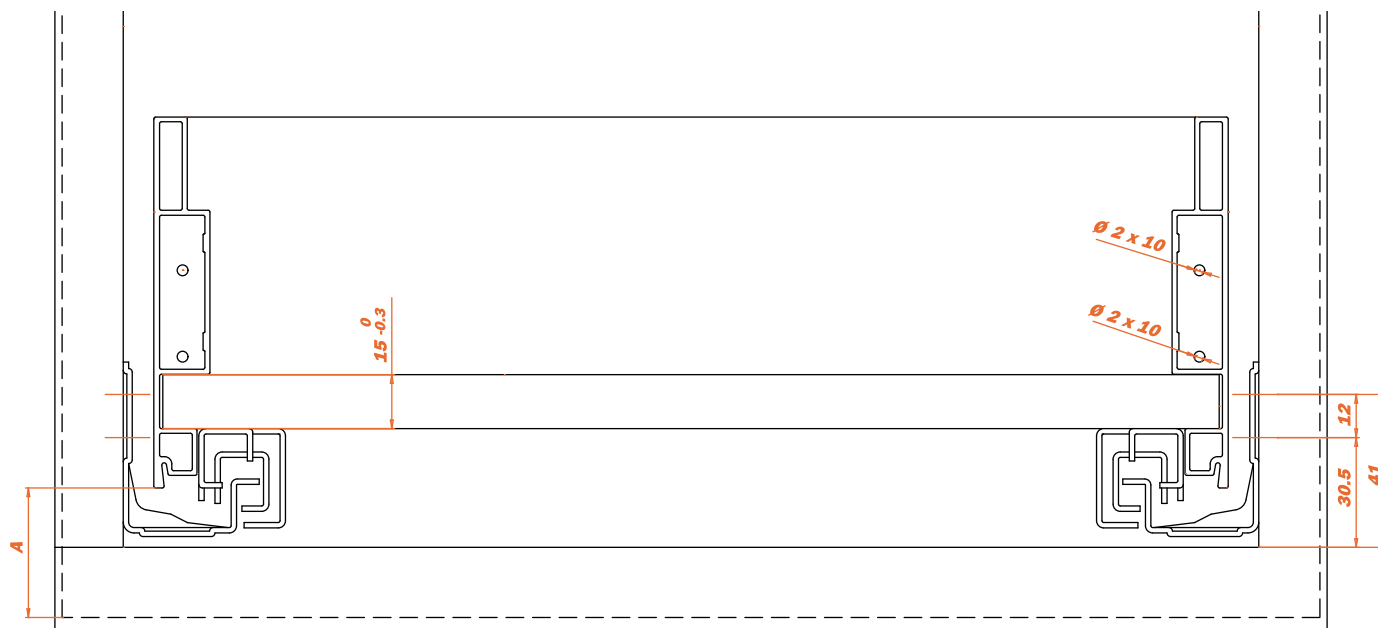
### Thickness of the metal side



### Internal width of the cabinet - 17

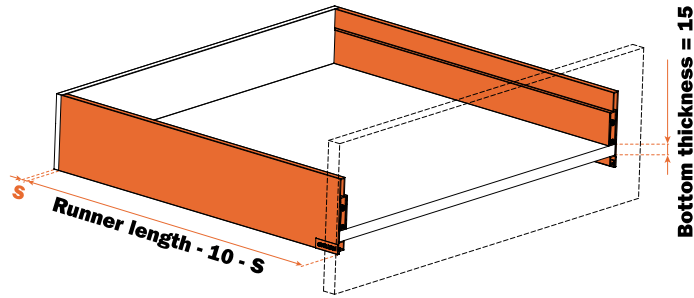


### Dimensions with Futura full-extension runners

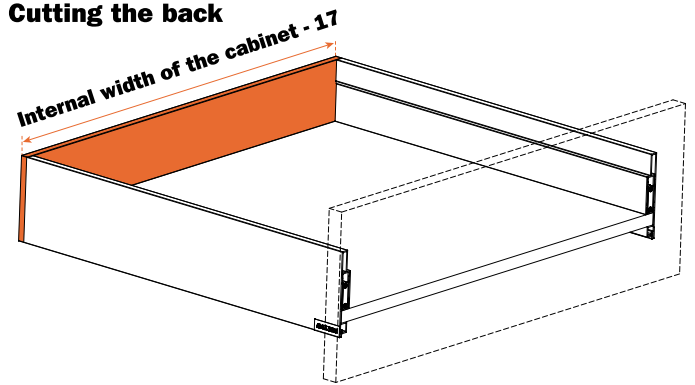




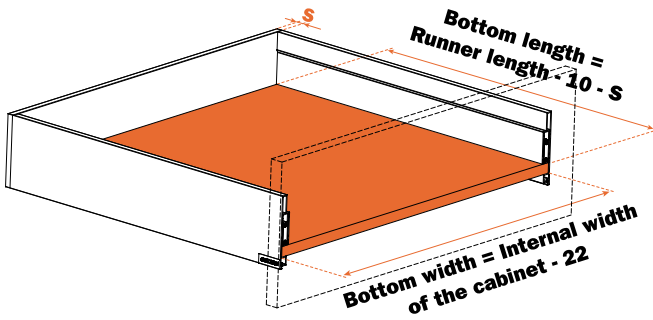
Cutting the sides



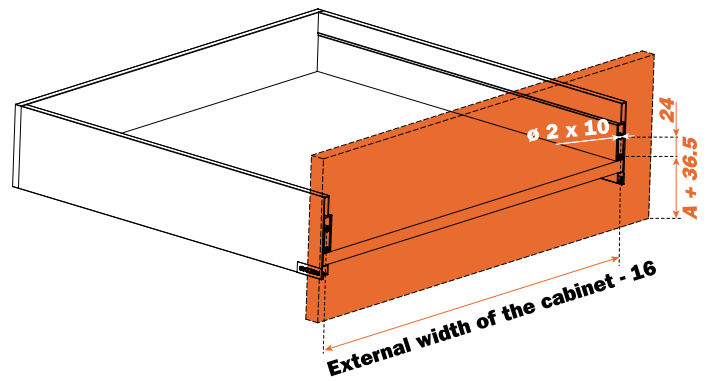
Cutting the back



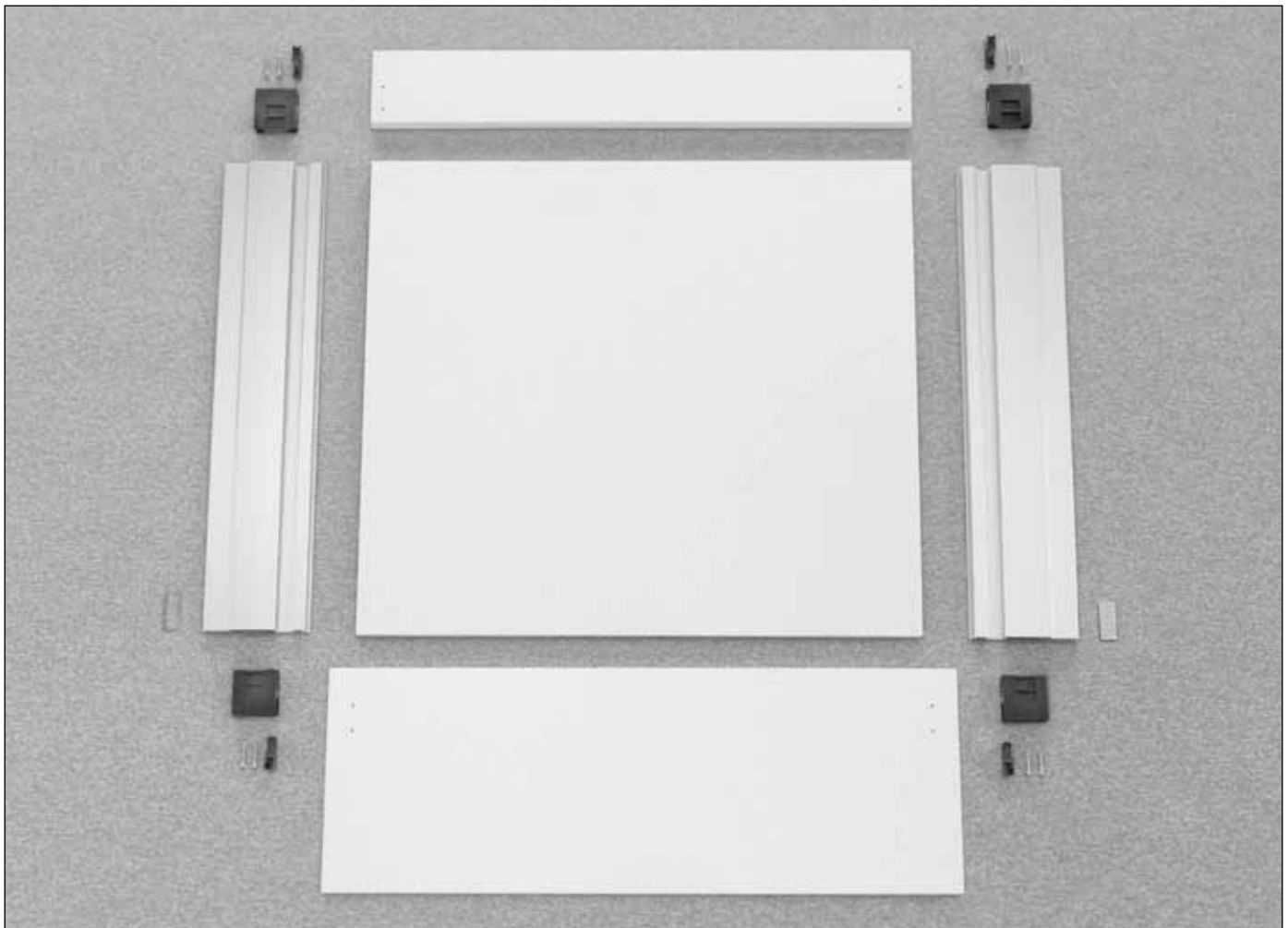
Cutting the bottom



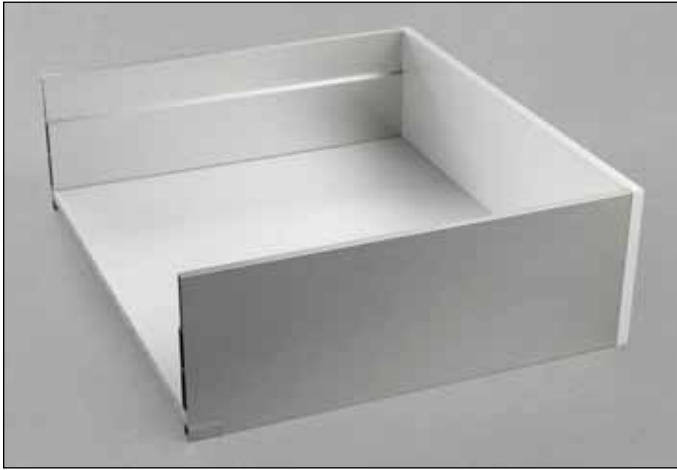
Frontal drilling



Elements of the drawer



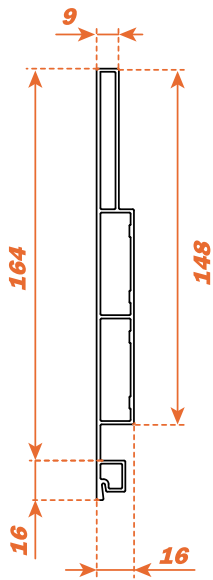
# Lineabox - Metal drawer - 2-sided - H 180 mm



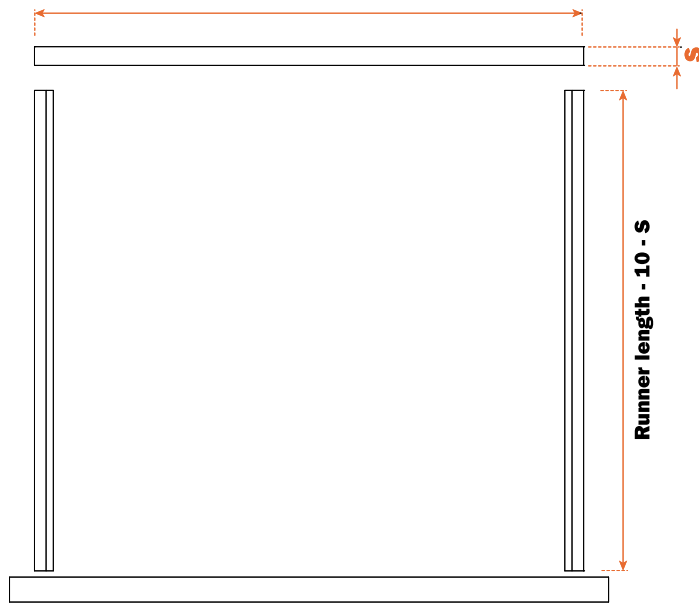
**Lineabox metal sides, wooden frontal and back panel.**  
**Height of the side 180 mm - Internal height 148 mm**  
**For use with Futura full-extension runners:**  
**652 - 655 - 6527 - 6557 - 6525 - 6555 (consult the general catalogue "Runners and drawers").**

- Rapid assembly system, with no machinery or templates needed.
- Rapid mounting and removal of drawer frontal.
- The back can be personalised according the width of the cabinet.
- Height, sideways and depth adjustment of the drawer incorporated in the runner fixing clips.
- Bottom thickness 15 mm.
- Material: Aluminium.
- Finishes:
  - Stainless
  - Champagne
  - Titanium
  - Black
  - White

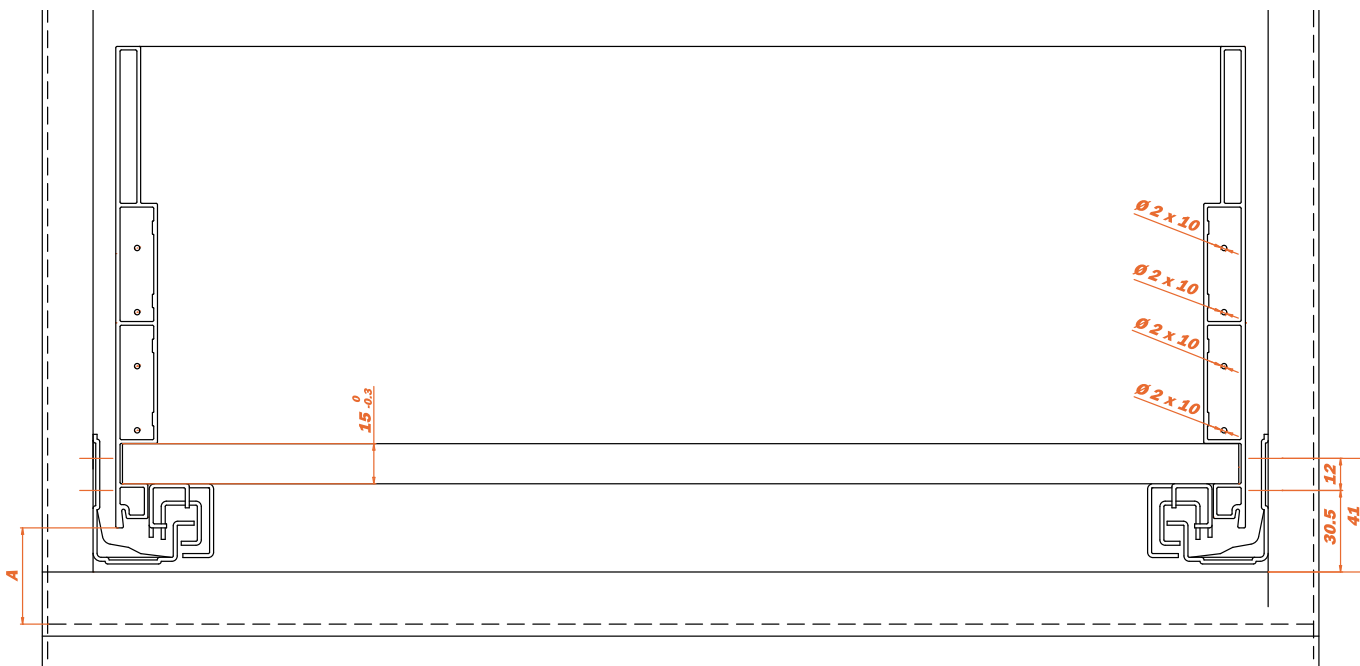
## Thickness of the metal side



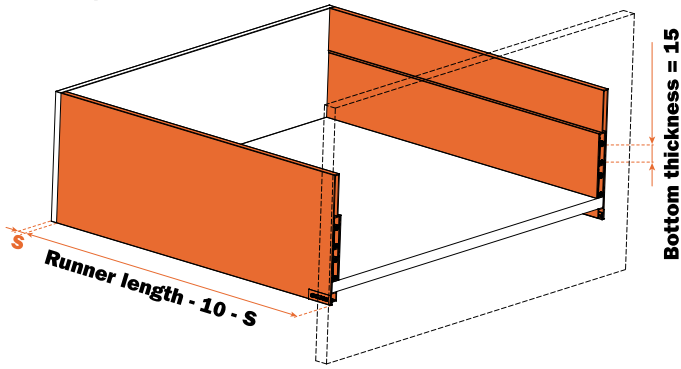
## Internal width of the cabinet - 17



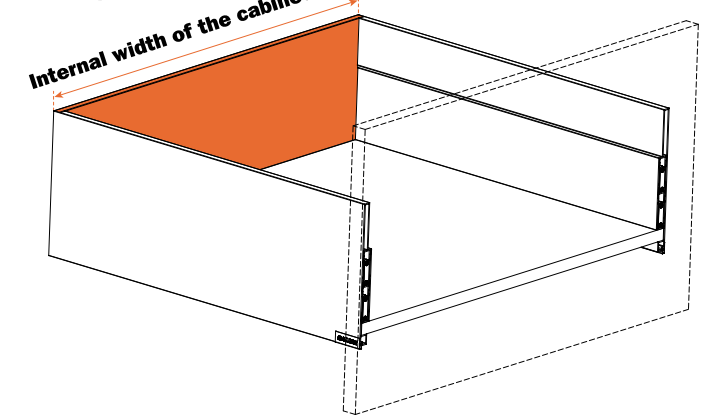
## Dimensions with Futura full-extension runners



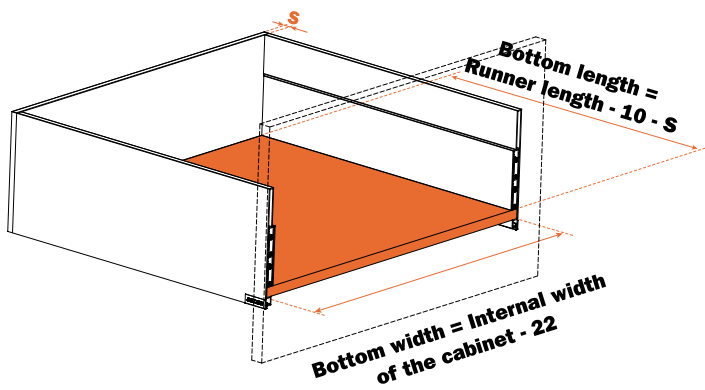
Cutting the sides



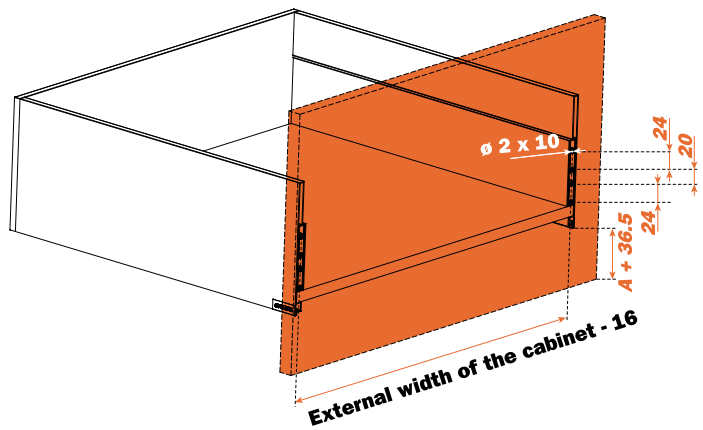
Cutting the back



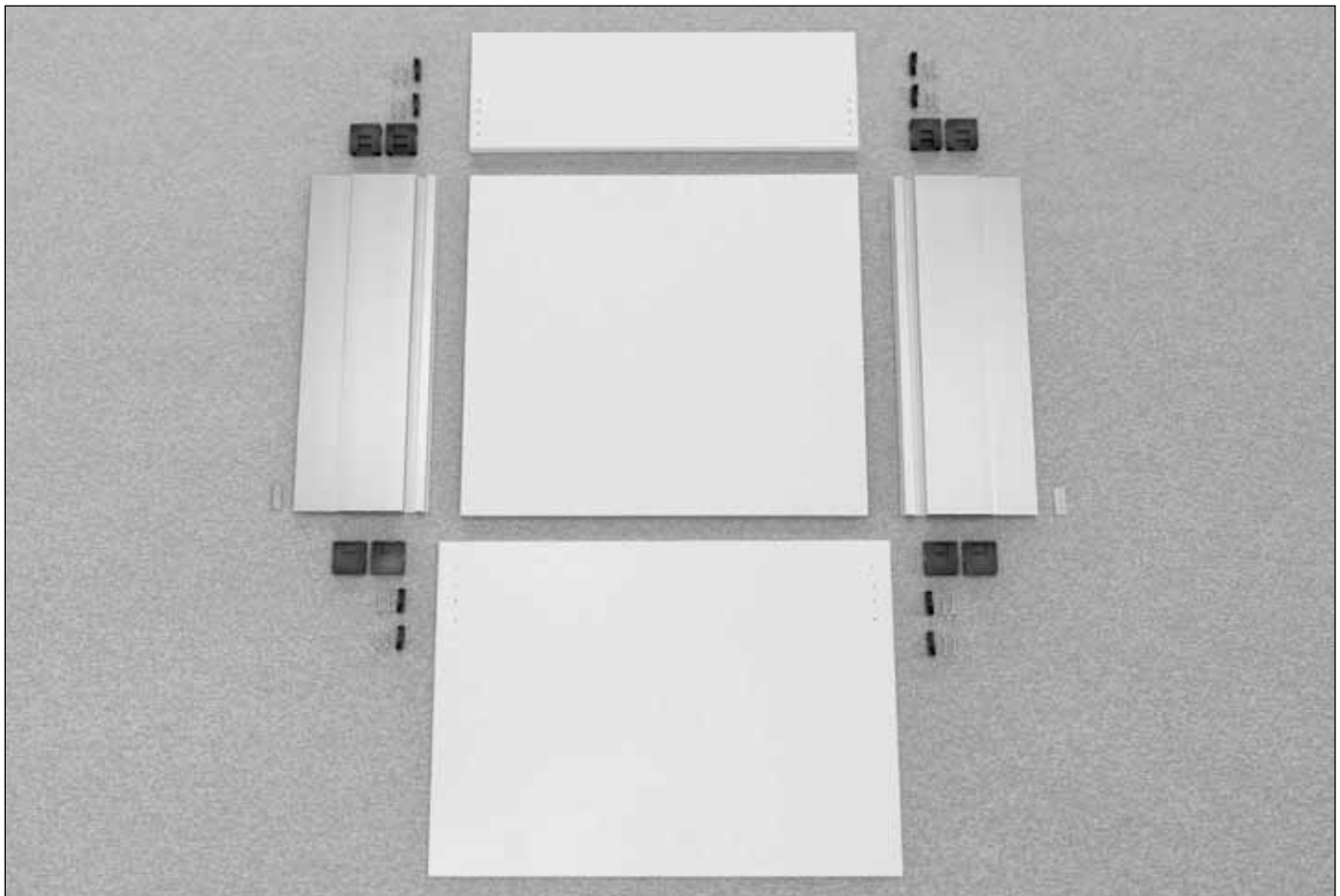
Cutting the bottom



Frontal drilling



Elements of the drawer



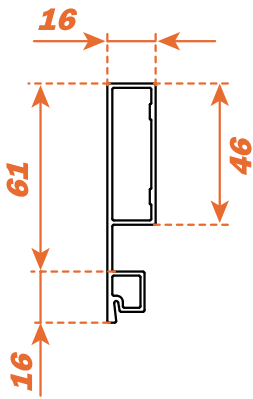
# Lineabox - Metal drawer - 2-sided - H 77 mm



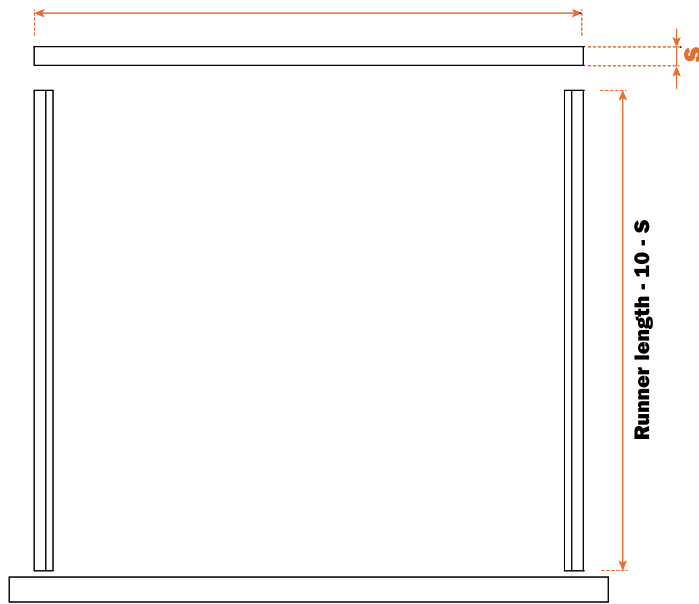
**Lineabox metal sides, wooden frontal and back panel.**  
**Height of the side 77 mm - Internal height 46 mm**  
**For use with Futura full-extension runners:**  
**652 - 655 - 6527 - 6557 - 6525 - 6555 (consult the general catalogue "Runners and drawers").**

- Rapid assembly system, with no machinery or templates needed.
- Rapid mounting and removal of drawer frontal.
- The back can be personalised according the width of the cabinet.
- Height, sideways and depth adjustment of the drawer incorporated in the runner fixing clips.
- Bottom thickness 15 mm.
- Material: Aluminium.
- Finishes: - Stainless
  - Champagne
  - Titanium
  - Black
  - White

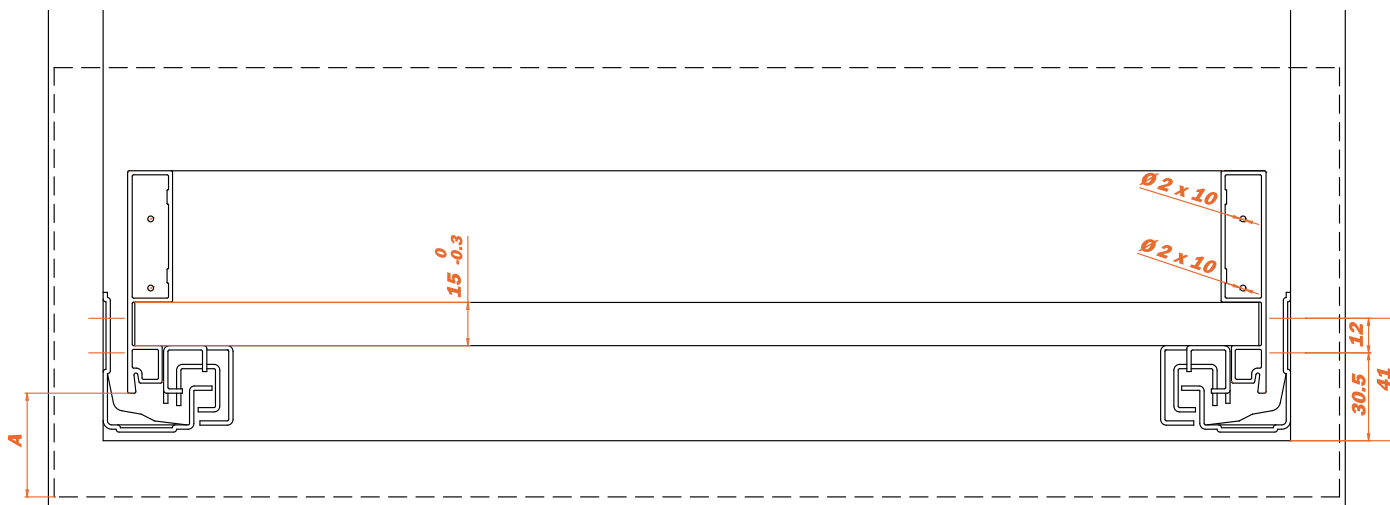
## Thickness of the metal side



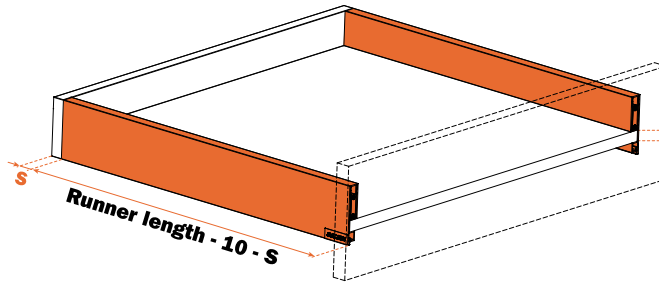
## Internal width of the cabinet - 17



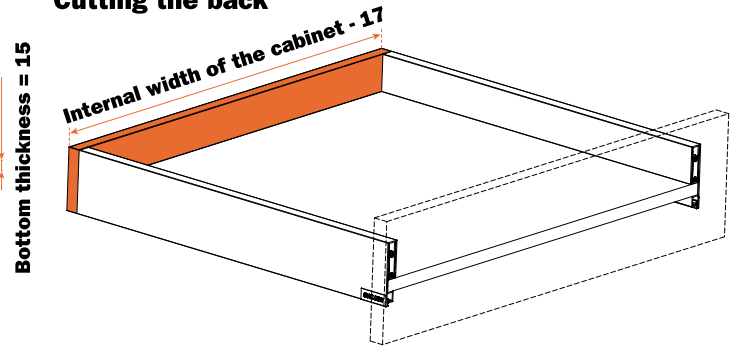
## Dimensions with Futura full-extension runners



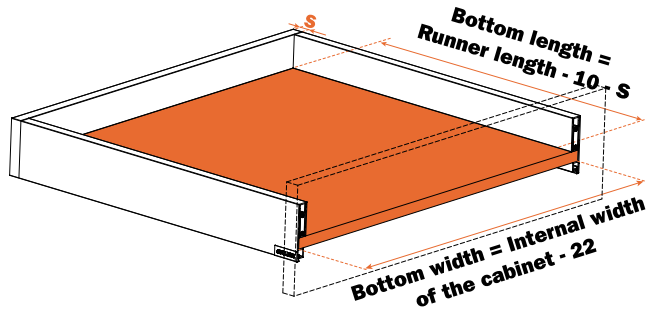
Cutting the sides



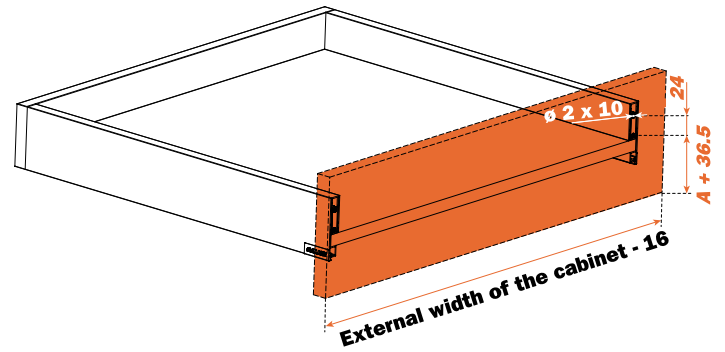
Cutting the back



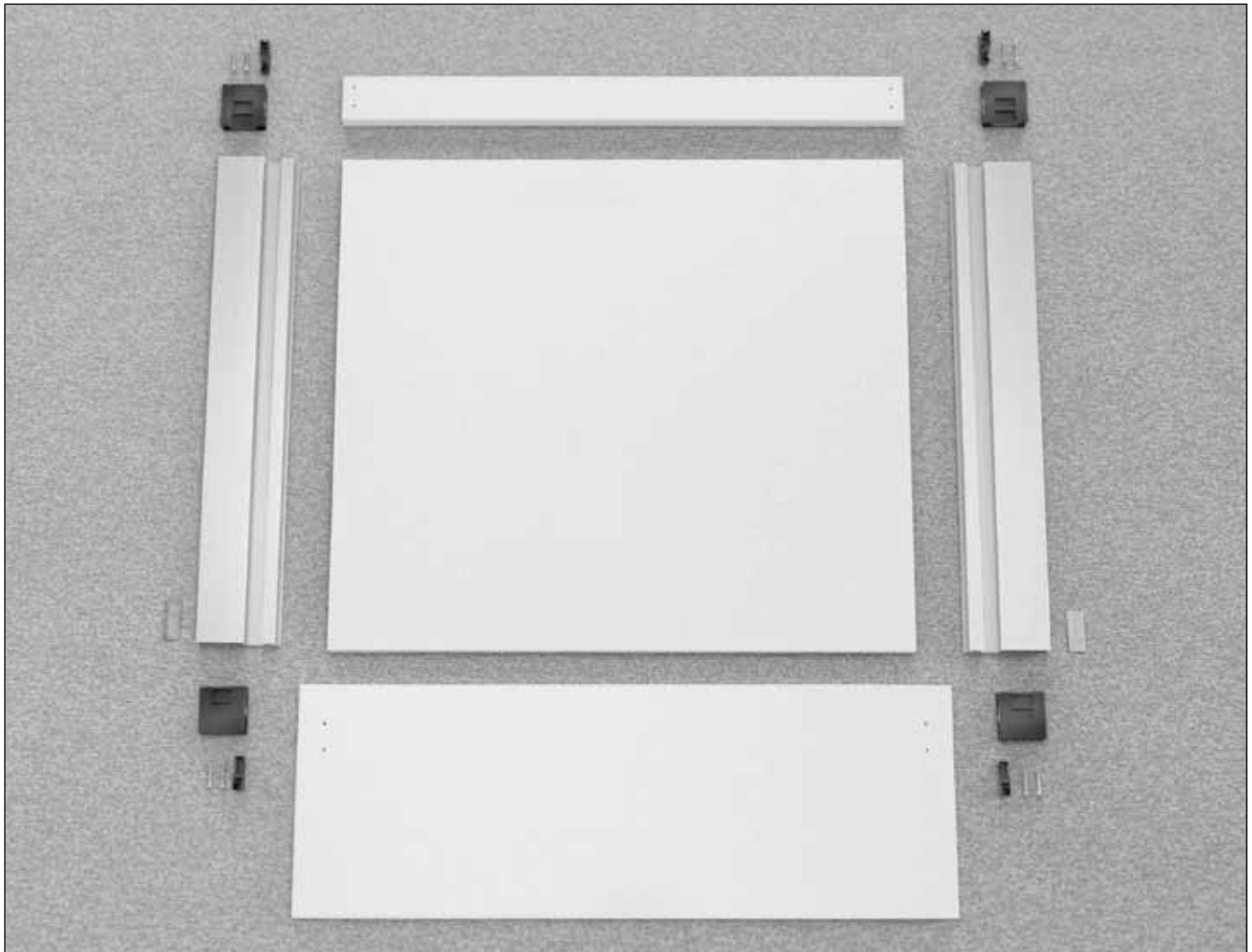
Cutting the bottom



Frontal drilling



Elements of the drawer



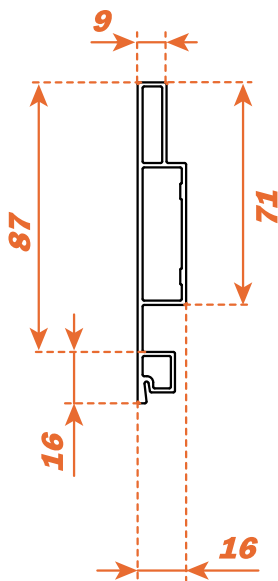
## Lineabox - Metal drawer - 3-sided - H 103 mm



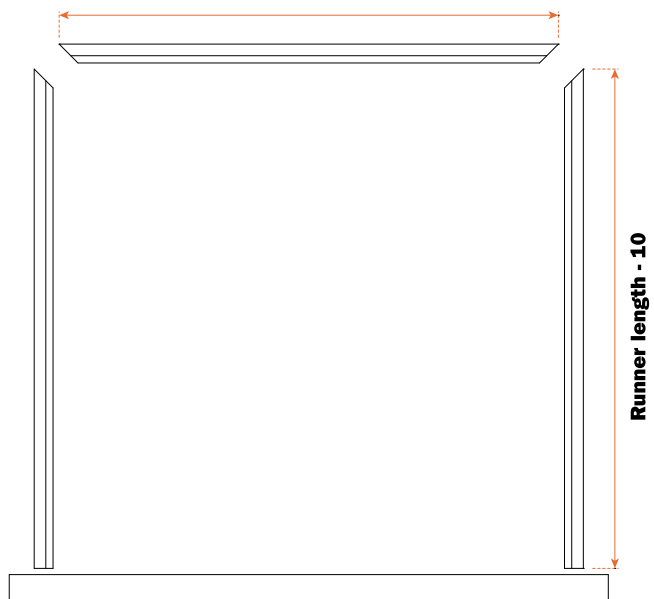
**Height of the side 103 mm - Internal height 71 mm**  
**For use with Futura full-extension runners:**  
**652 - 655 - 6527 - 6557 - 6525 - 6555 (consult the general catalogue "Runners and drawers").**

- Rapid assembly system, with no machinery or templates needed.
- Rapid mounting and removal of drawer frontal.
- The back can be personalised according the width of the cabinet.
- Height, sideways and depth adjustment of the drawer incorporated in the runner fixing clips.
- Bottom thickness 15 mm.
- Material: Aluminium.
- Finishes:
  - Stainless
  - Champagne
  - Titanium
  - Black
  - White

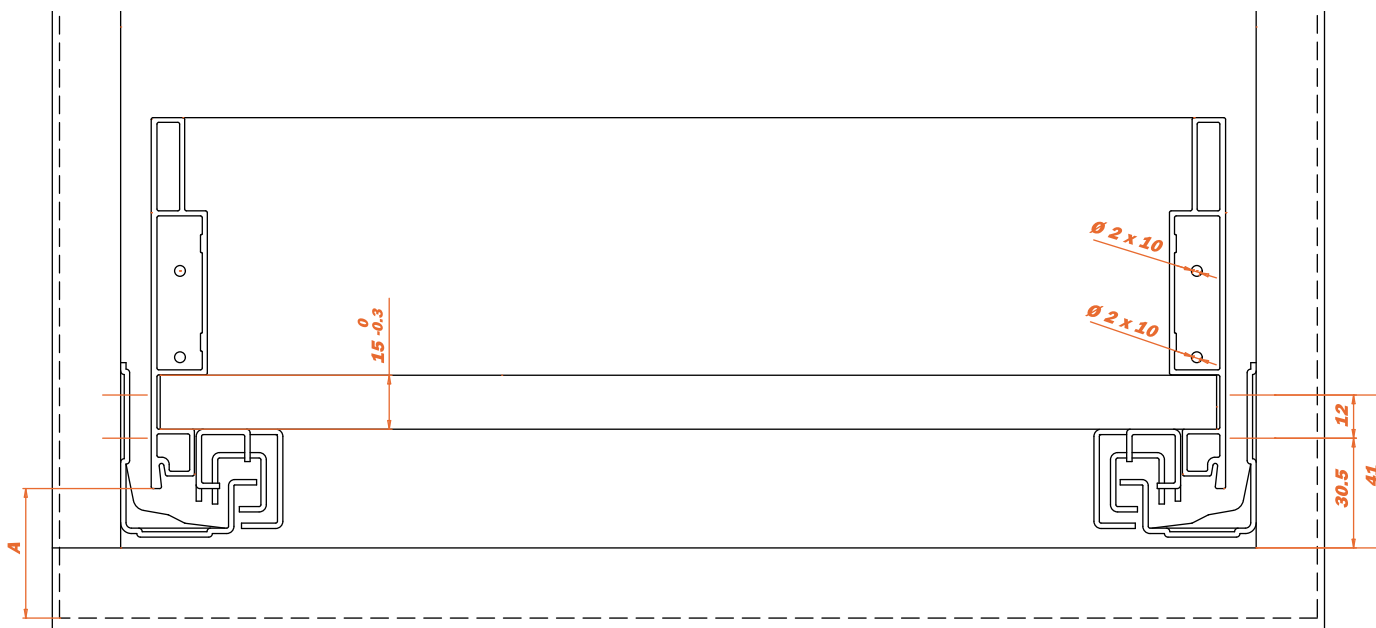
### Thickness of the metal side



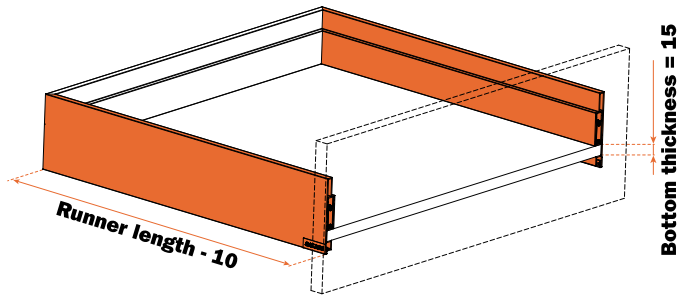
### Internal width of the cabinet - 17



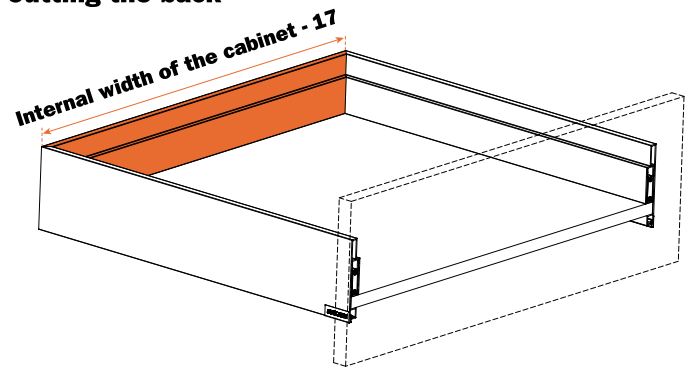
### Dimensions with Futura full-extension runners



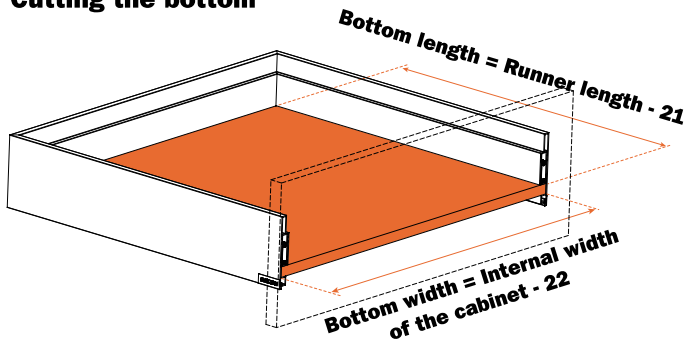
Cutting the sides



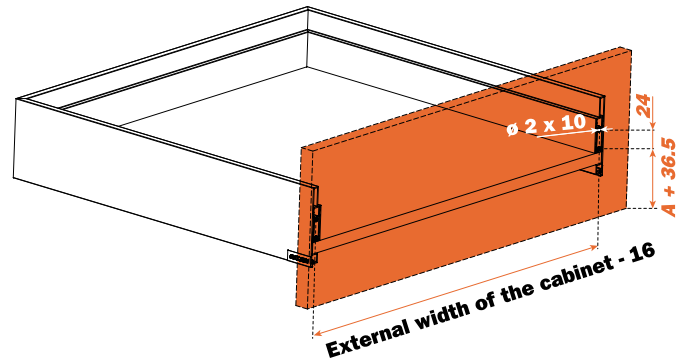
Cutting the back



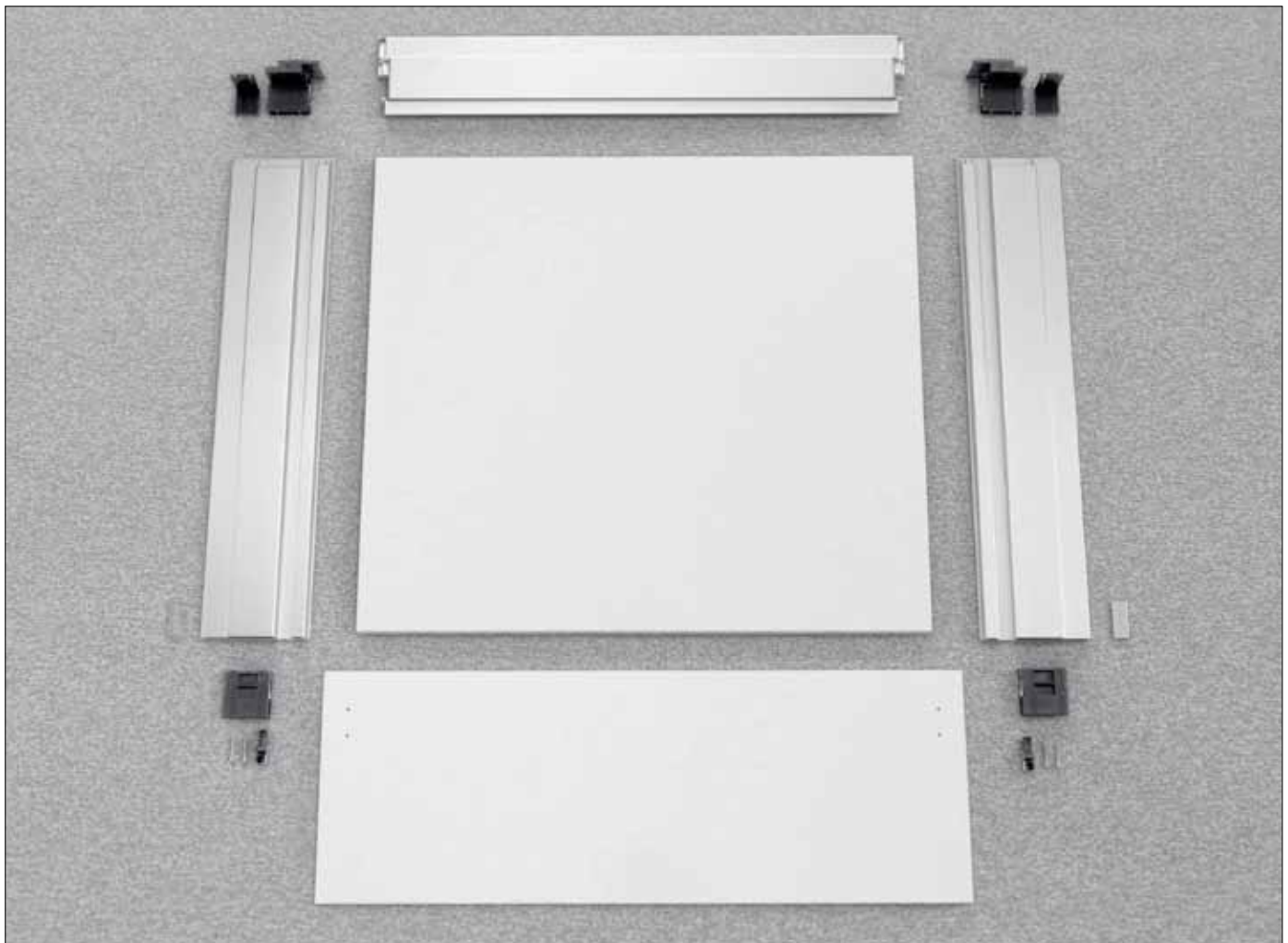
Cutting the bottom



Frontal drilling



Elements of the drawer



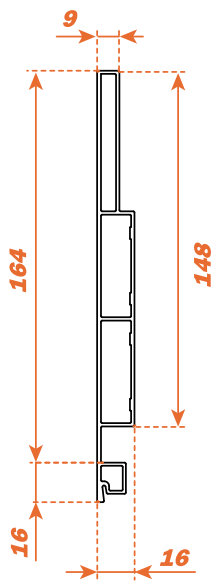
## Lineabox - Metal drawer - 3-sided - H 180 mm



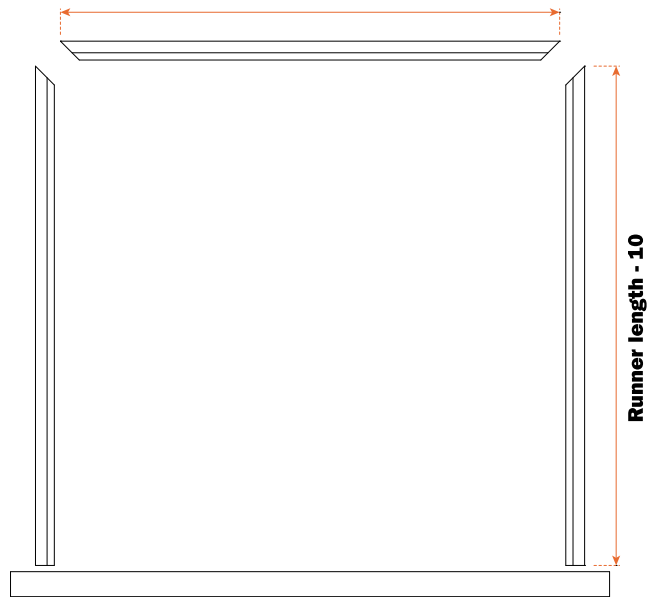
**Height of the side 180 mm - Internal height 148 mm**  
**For use with Futura full-extension runners:**  
**652 - 655 - 6527 - 6557 - 6525 - 6555 (consult the general catalogue "Runners and drawers").**

- Rapid assembly system, with no machinery or templates needed.
- Rapid mounting and removal of drawer frontal.
- The back can be personalised according the width of the cabinet.
- Height, sideways and depth adjustment of the drawer incorporated in the runner fixing clips.
- Bottom thickness 15 mm.
- Material: Aluminium.
- Finishes:
  - Stainless
  - Champagne
  - Titanium
  - Black
  - White

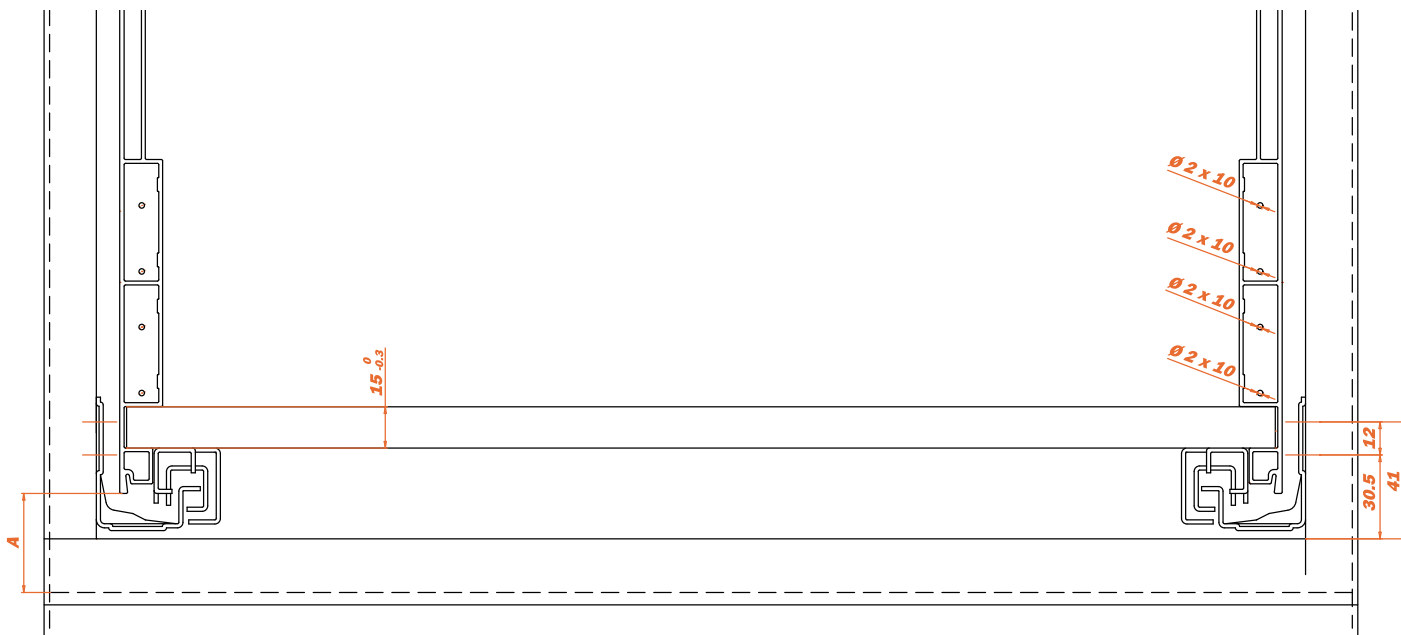
### Thickness of the metal side



### Internal width of the cabinet - 17

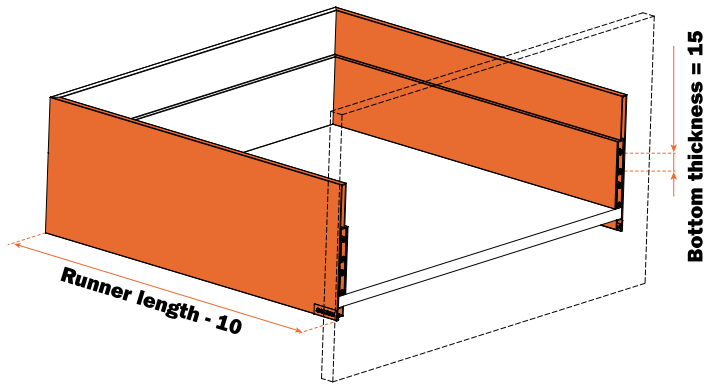


### Dimensions with Futura full-extension runners

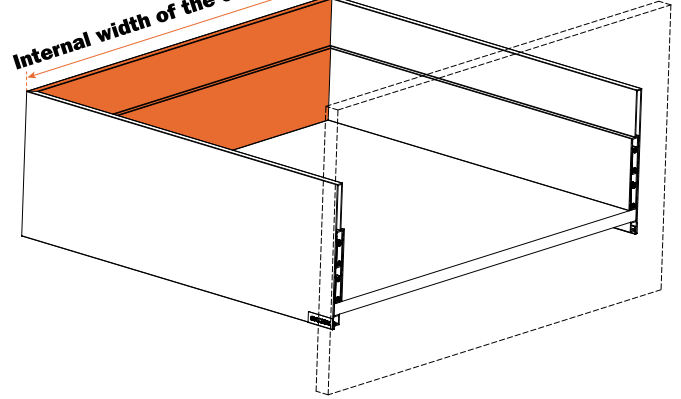




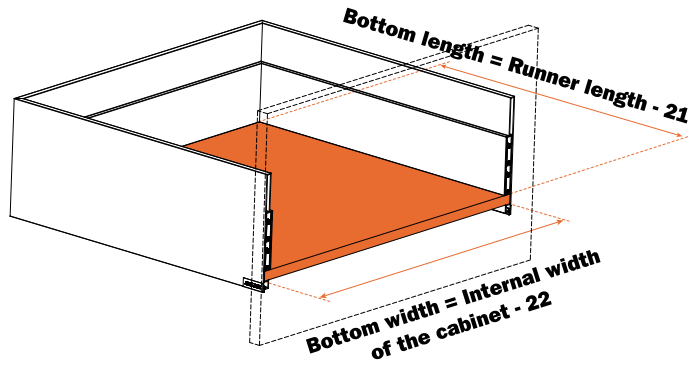
Cutting the sides



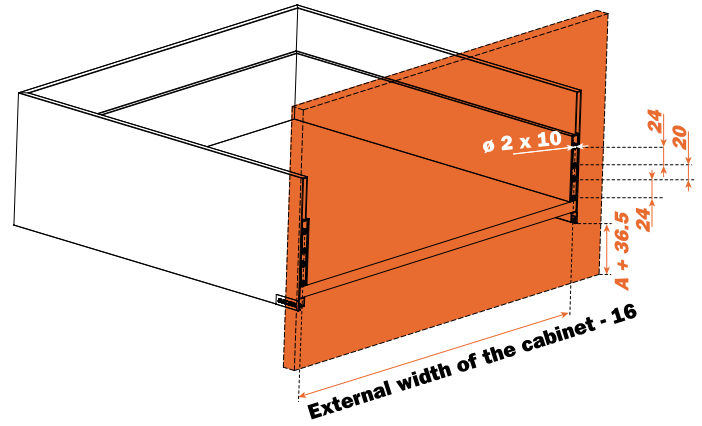
Cutting the back



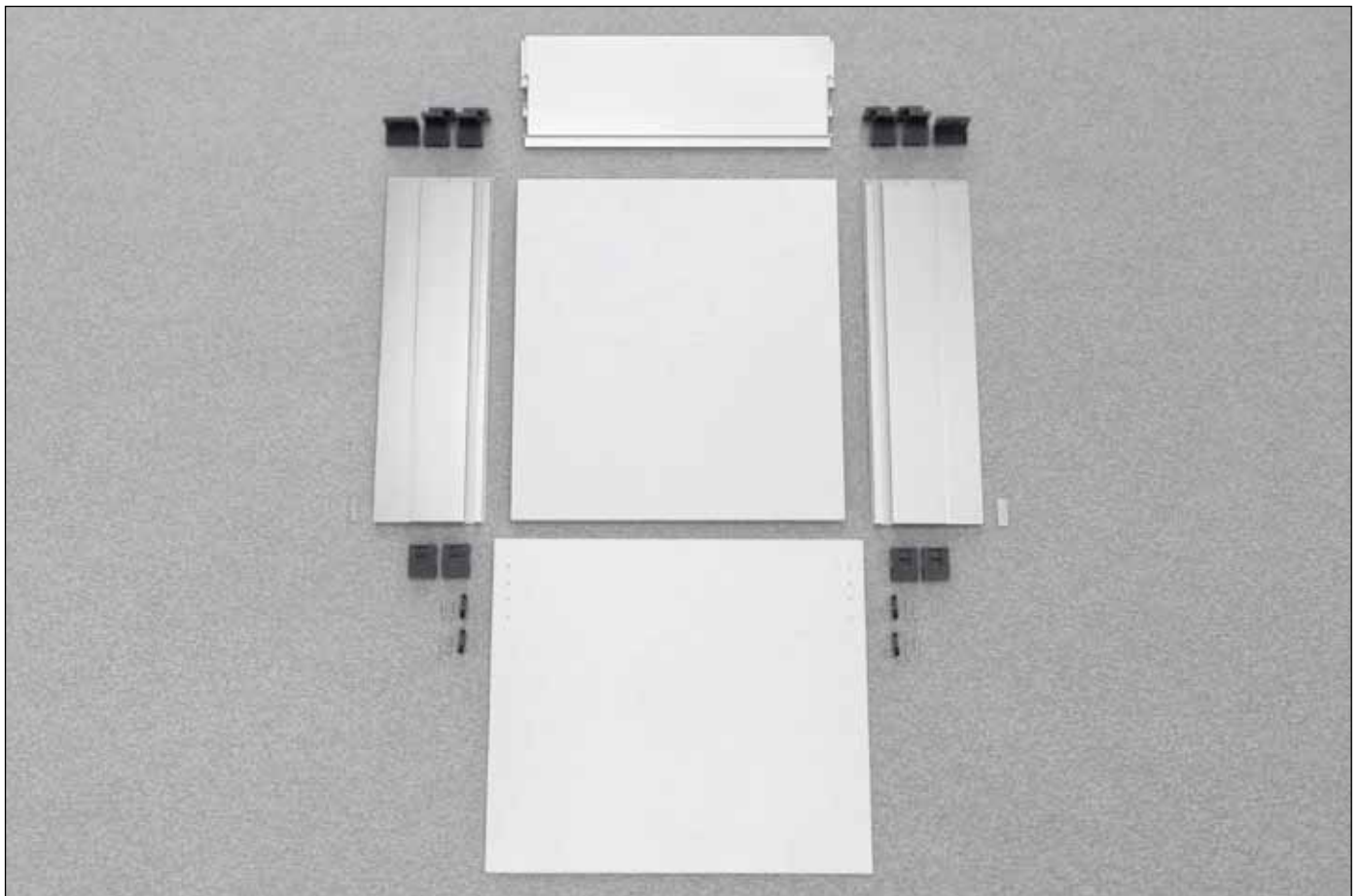
Cutting the bottom



Frontal drilling



Elements of the drawer



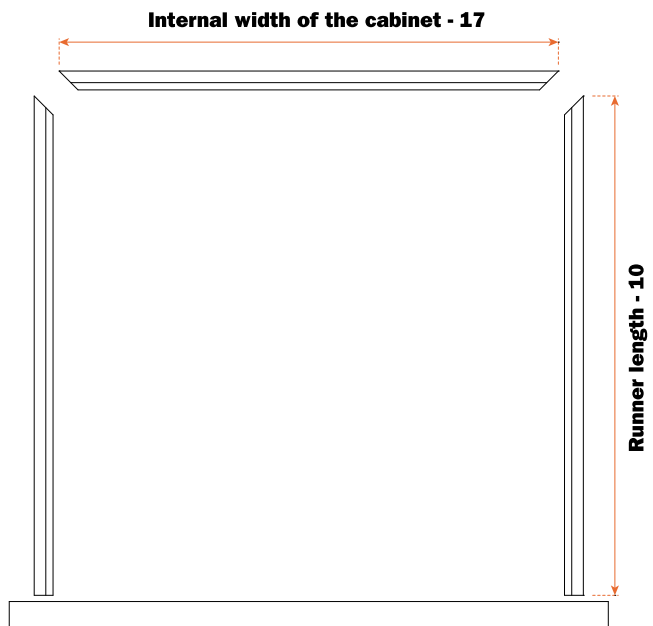
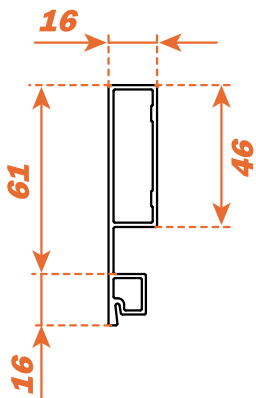
# Lineabox - Metal drawer - 3-sided - H 77 mm



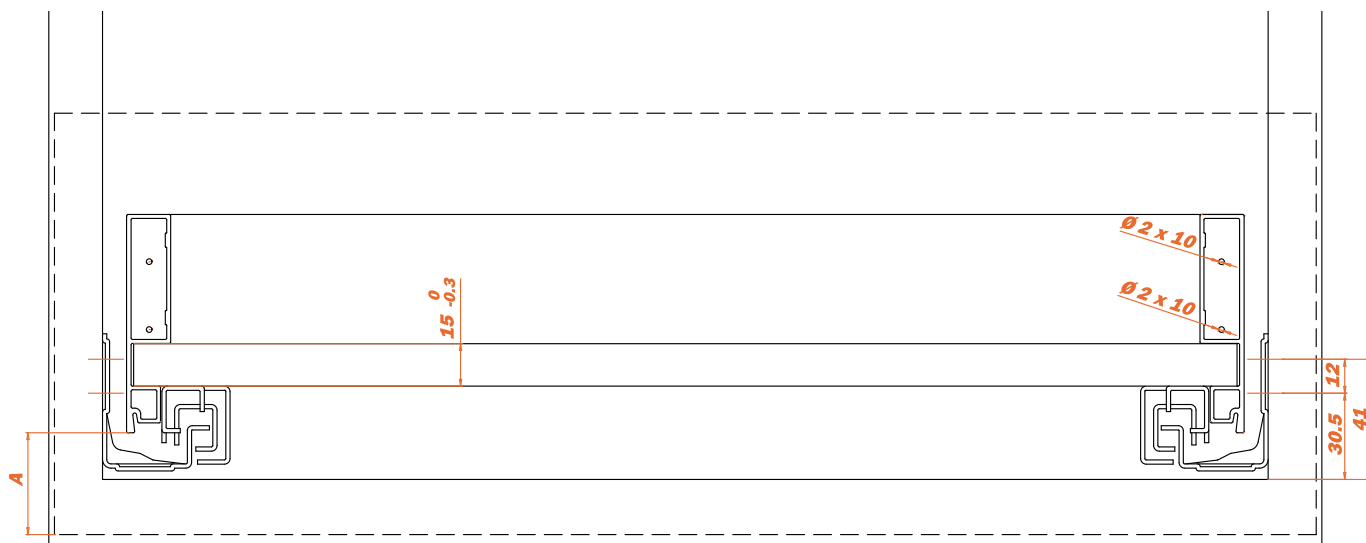
**Height of the side 77 mm - Internal height 46 mm**  
**For use with Futura full-extension runners:**  
**652 - 655 - 6527 - 6557 - 6525 - 6555 (consult the general catalogue "Runners and drawers").**

- Rapid assembly system, with no machinery or templates needed.
- Rapid mounting and removal of drawer frontal.
- The back can be personalised according the width of the cabinet.
- Height, sideways and depth adjustment of the drawer incorporated in the runner fixing clips.
- Bottom thickness 15 mm.
- Material: Aluminium.
- Finishes:
  - Stainless
  - Champagne
  - Titanium
  - Black
  - White

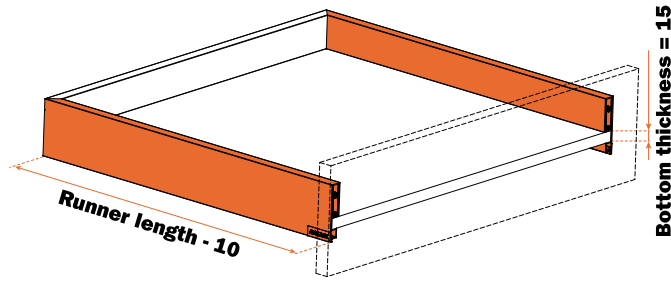
## Thickness of the metal side



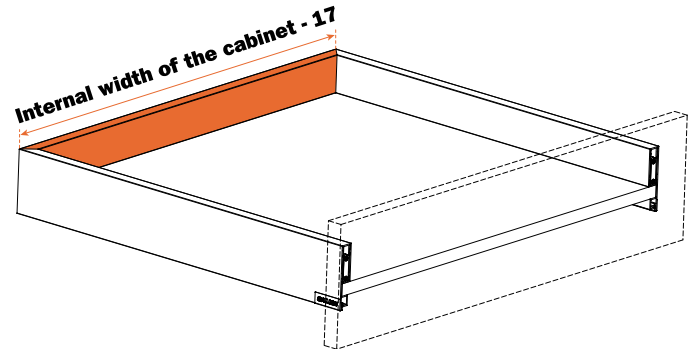
## Dimensions with Futura full-extension runners



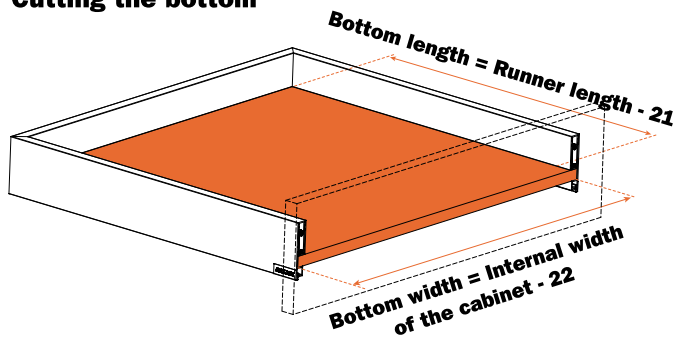
Cutting the sides



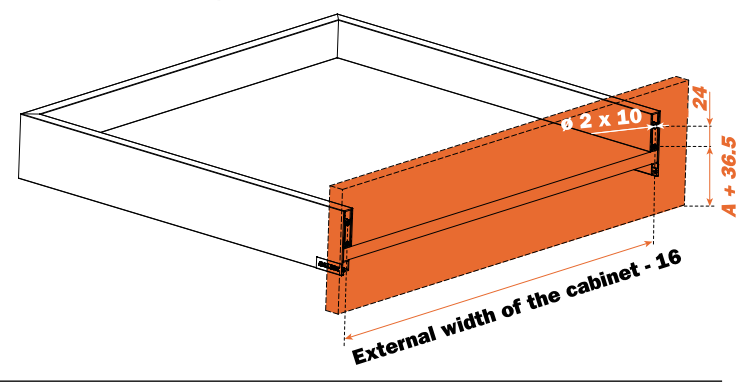
Cutting the back



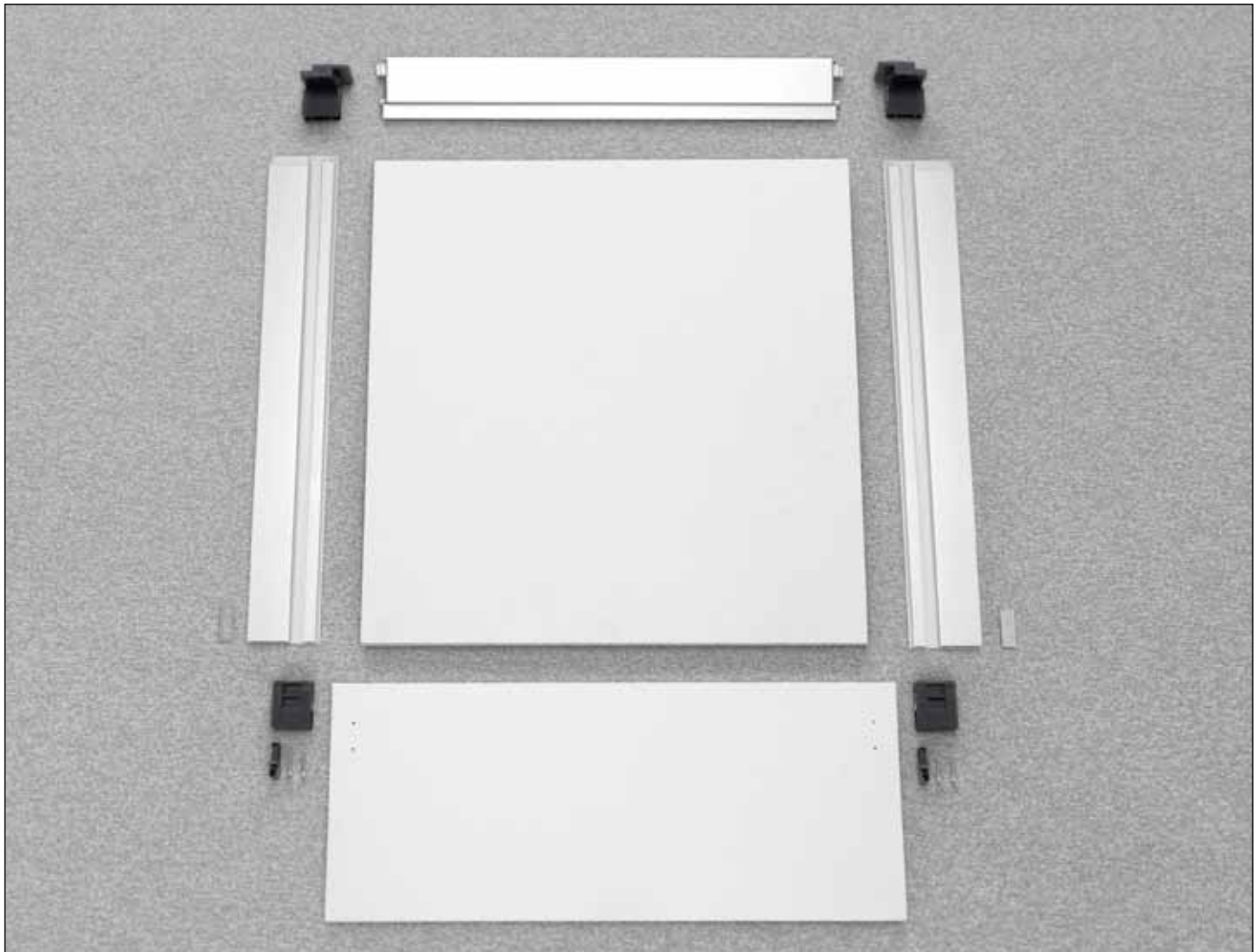
Cutting the bottom



Frontal drilling



Elements of the drawer



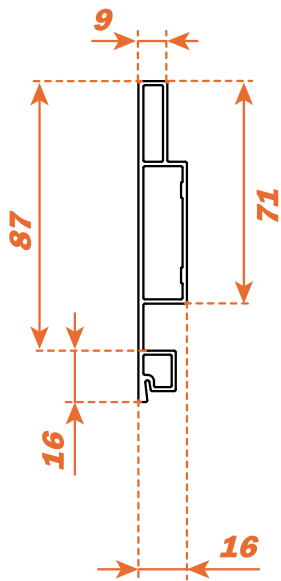
## Lineabox - Metal drawer - 4-sided - H 103 mm



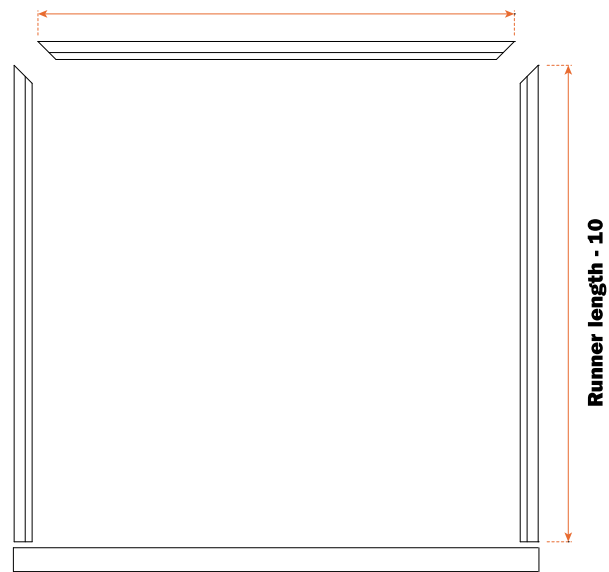
**Height of the side 103 mm - Internal height 71 mm**  
**For use with Futura full-extension runners:**  
**652 - 655 - 6527 - 6557 - 6525 - 6555 (consult the general catalogue "Runners and drawers").**

- Rapid assembly system, with no machinery or templates needed.
- Rapid mounting and removal of drawer frontal.
- The back can be personalised according the width of the cabinet.
- Height, sideways and depth adjustment of the drawer incorporated in the runner fixing clips.
- Bottom thickness 15 mm.
- Material: Aluminium.
- Finishes: - Stainless
  - Champagne
  - Titanium
  - Black
  - White

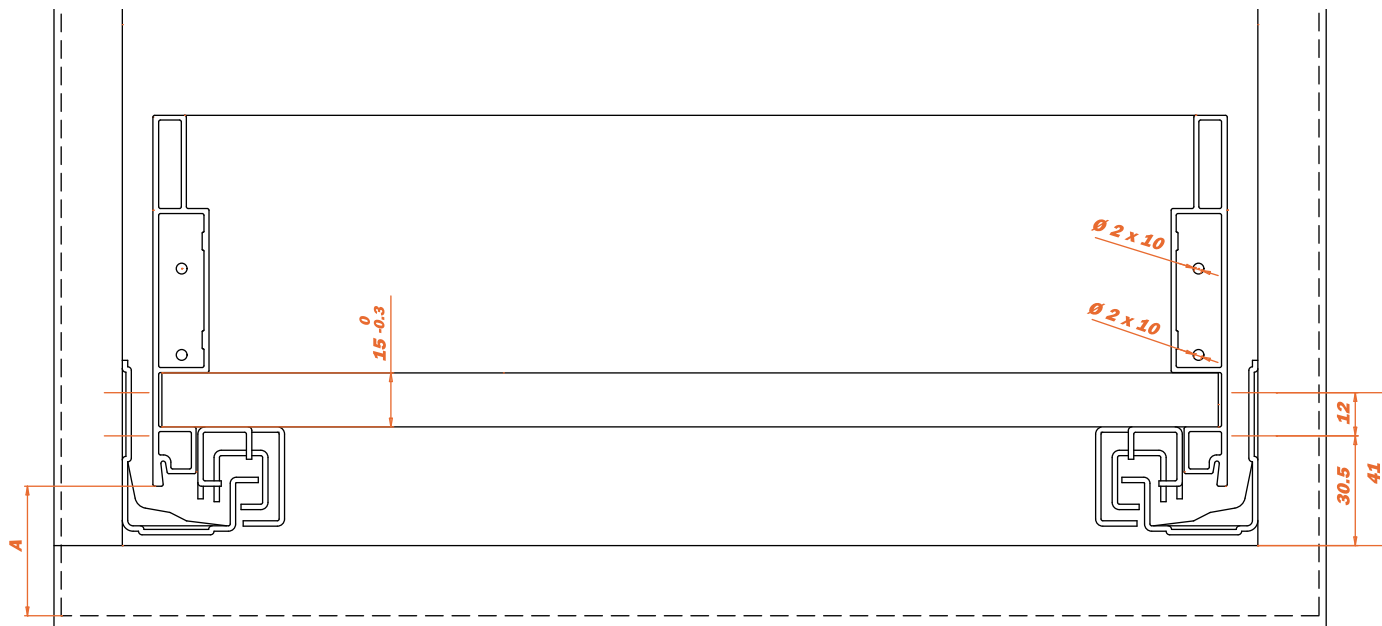
### Thickness of the metal side



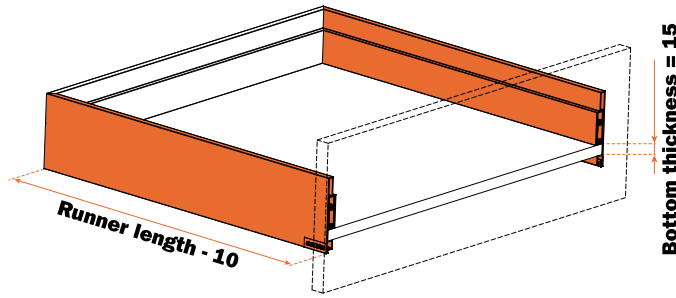
### Internal width of the cabinet - 17



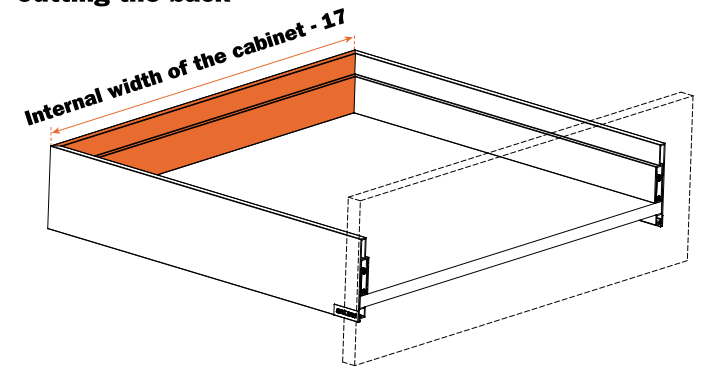
### Dimensions with Futura full-extension runners



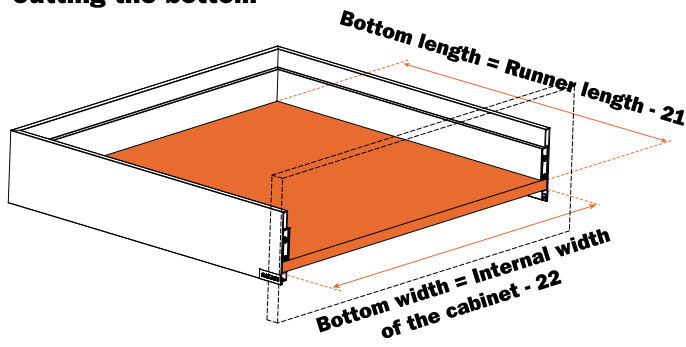
Cutting the sides



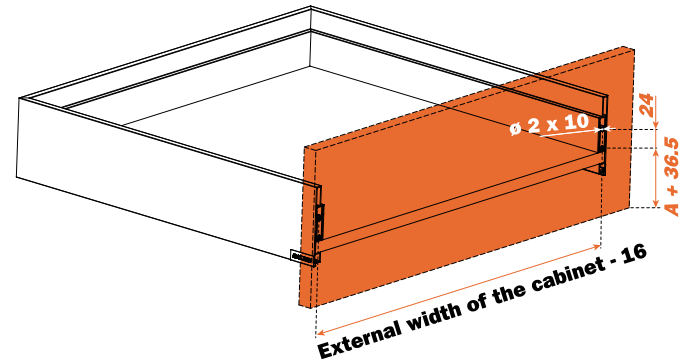
Cutting the back



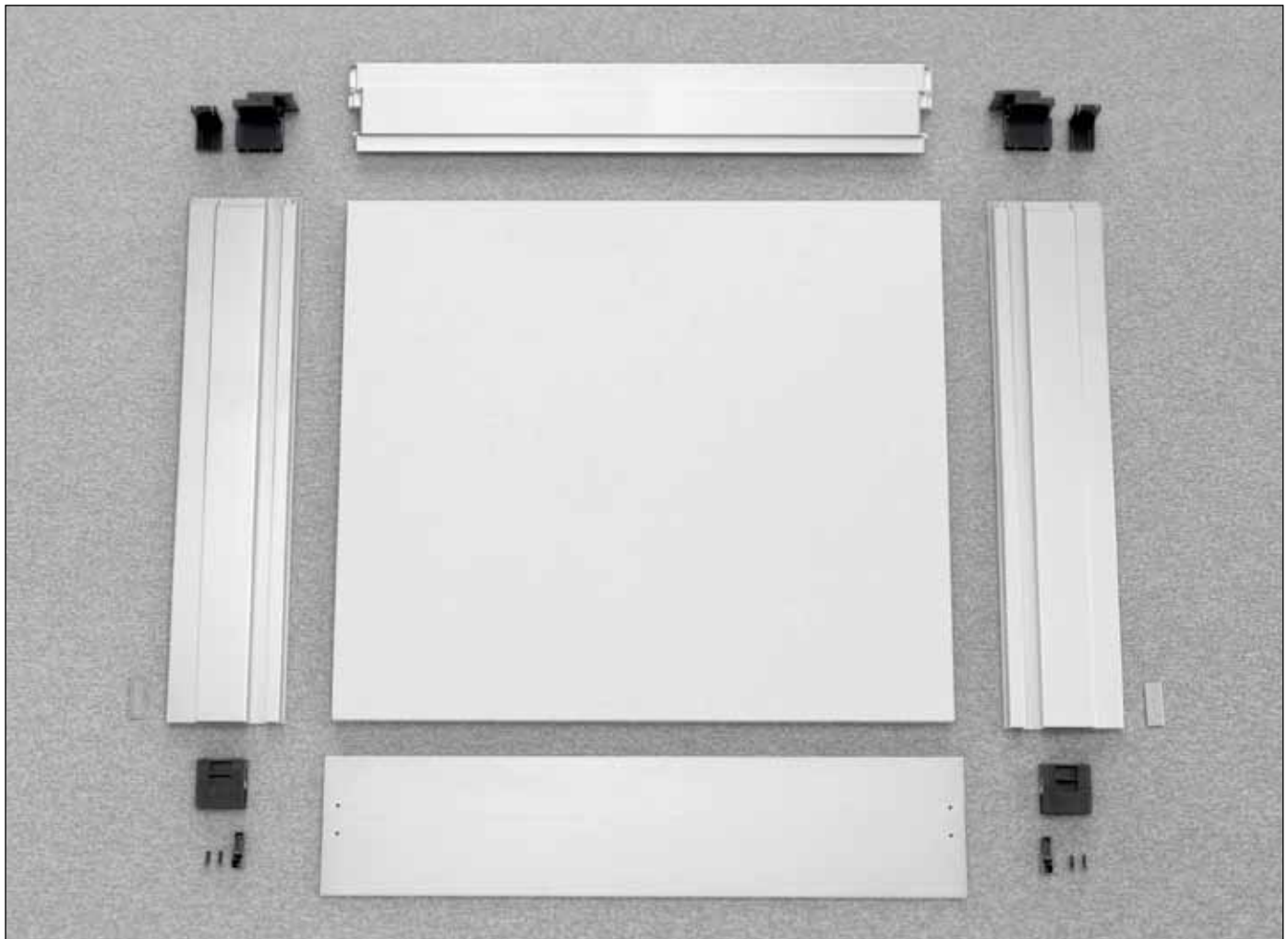
Cutting the bottom



Frontal drilling



Elements of the drawer



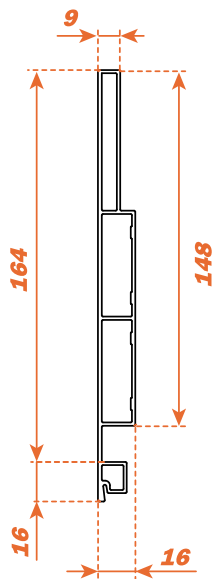
## Lineabox - Metal drawer - 4-sided - H 180 mm



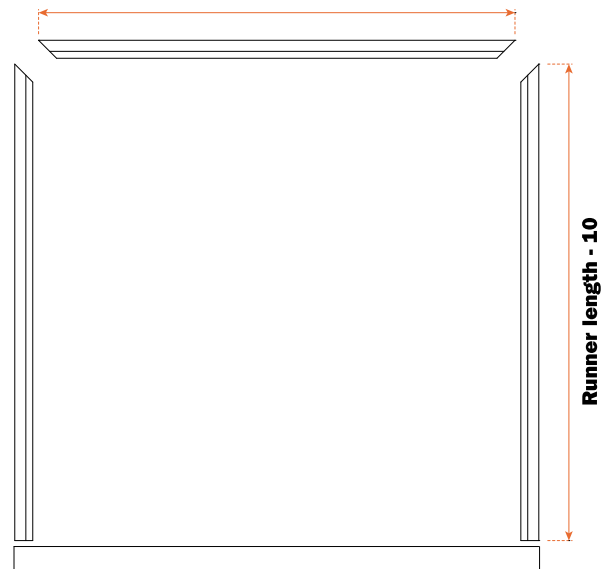
**Height of the side 180 mm - Internal height 148 mm**  
**For use with Futura full-extension runners:**  
**652 - 655 - 6527 - 6557 - 6525 - 6555 (consult the general catalogue "Runners and drawers").**

- Rapid assembly system, with no machinery or templates needed.
- Rapid mounting and removal of drawer frontal.
- The back can be personalised according to the width of the cabinet.
- Height, sideways and depth adjustment of the drawer incorporated in the runner fixing clips.
- Bottom thickness 15 mm.
- Material: Aluminium.
- Finishes:
  - Stainless
  - Champagne
  - Titanium
  - Black
  - White

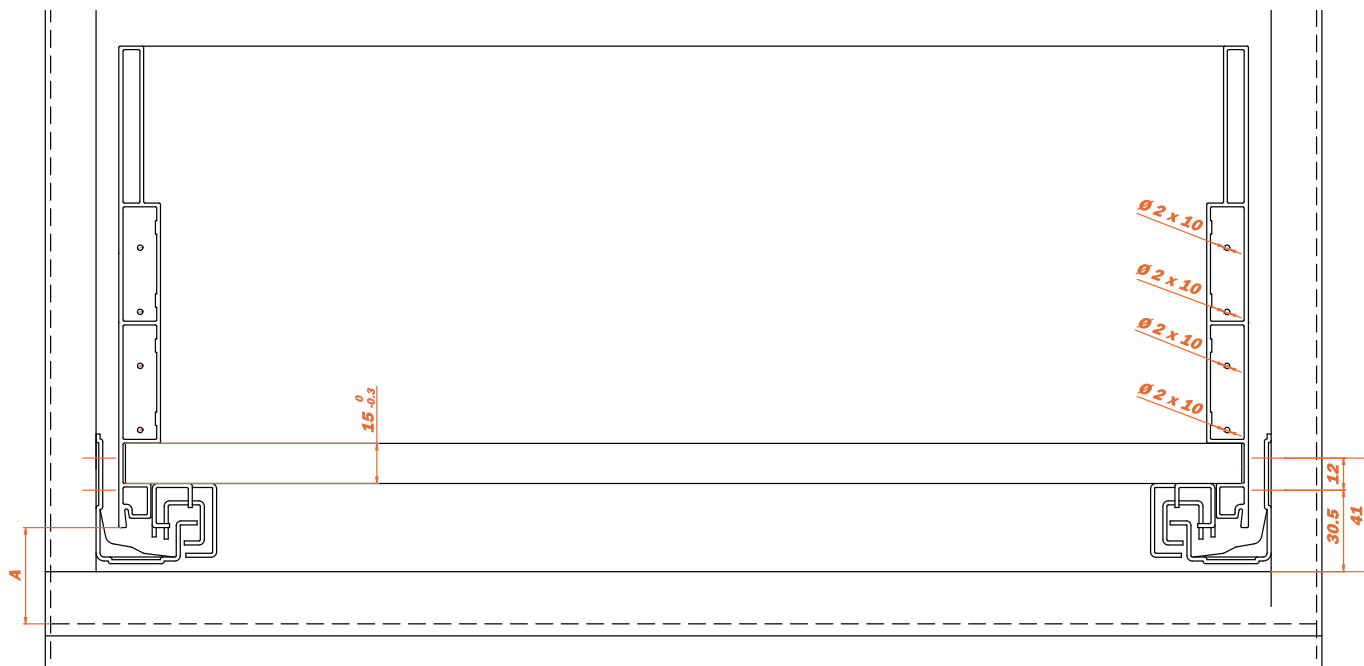
### Thickness of the metal side



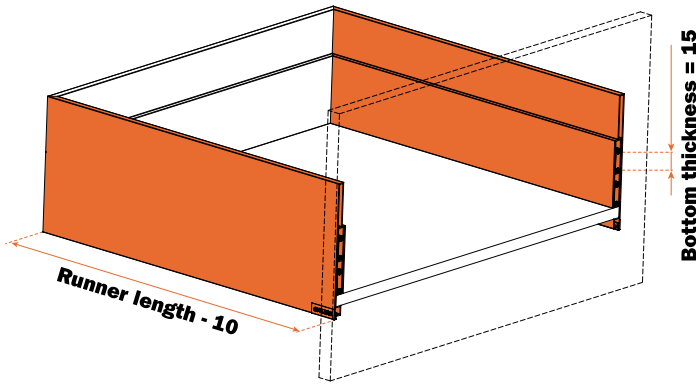
### Internal width of the cabinet - 17



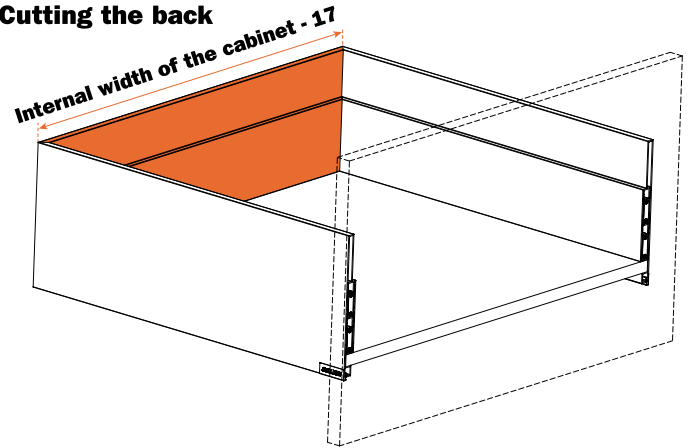
### Dimensions with Futura full-extension runners



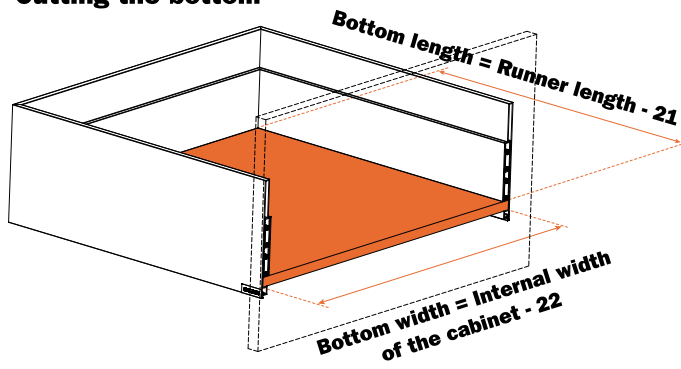
Cutting the sides



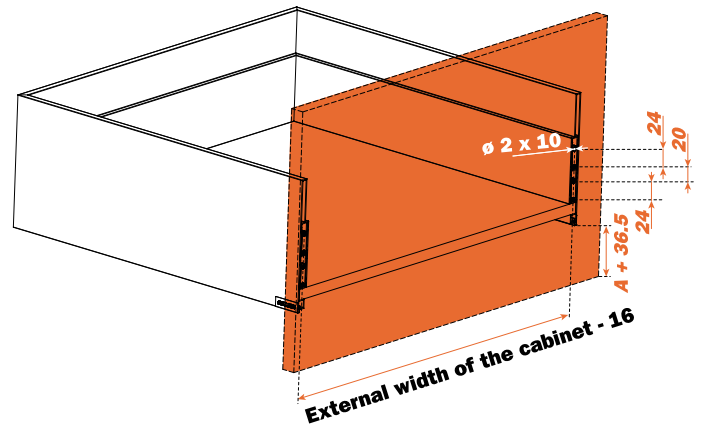
Cutting the back



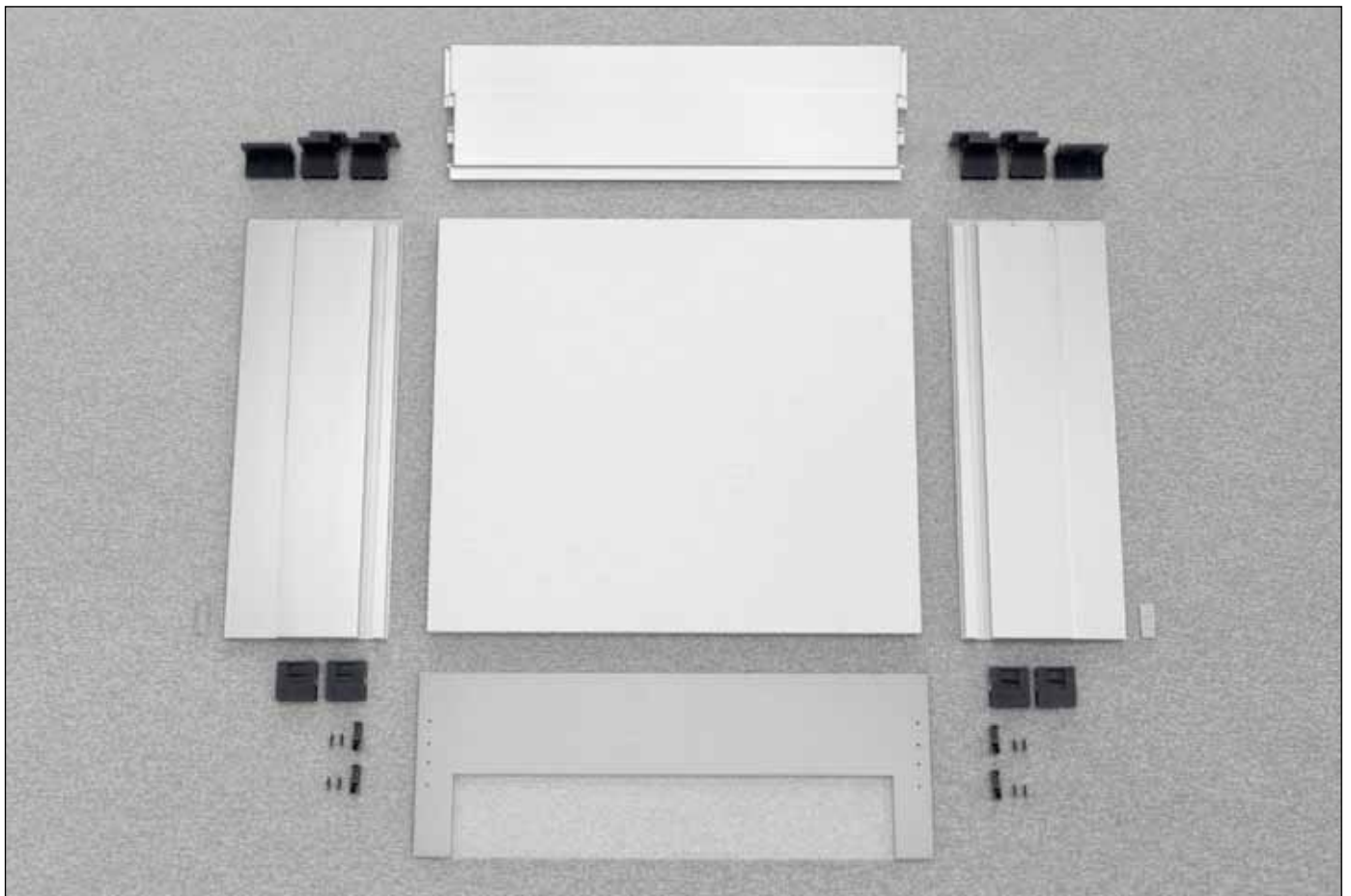
Cutting the bottom



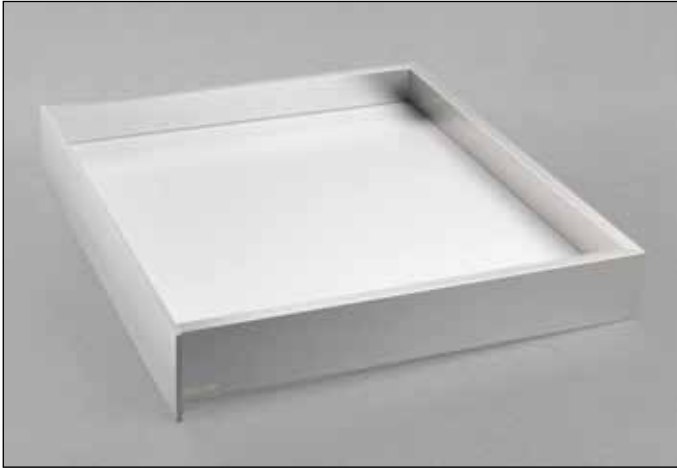
Frontal drilling



Elements of the drawer



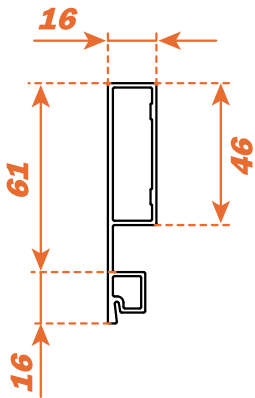
## Lineabox - Metal drawer - 4-sided - H 77 mm



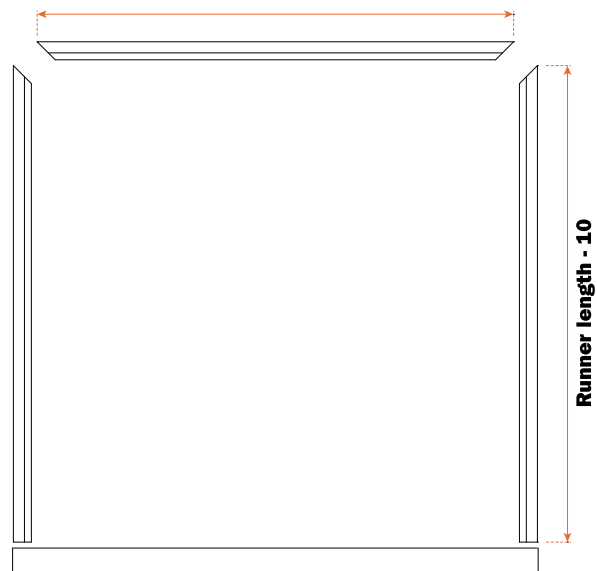
**Height of the side 77 mm - Internal height 46 mm**  
**For use with Futura full-extension runners:**  
**652 - 655 - 6527 - 6557 - 6525 - 6555 (consult the general catalogue "Runners and drawers").**

- Rapid assembly system, with no machinery or templates needed.
- Rapid mounting and removal of drawer frontal.
- The back can be personalised according the width of the cabinet.
- Height, sideways and depth adjustment of the drawer incorporated in the runner fixing clips.
- Bottom thickness 15 mm.
- Material: Aluminium.
- Finishes: - Stainless
  - Champagne
  - Titanium
  - Black
  - White

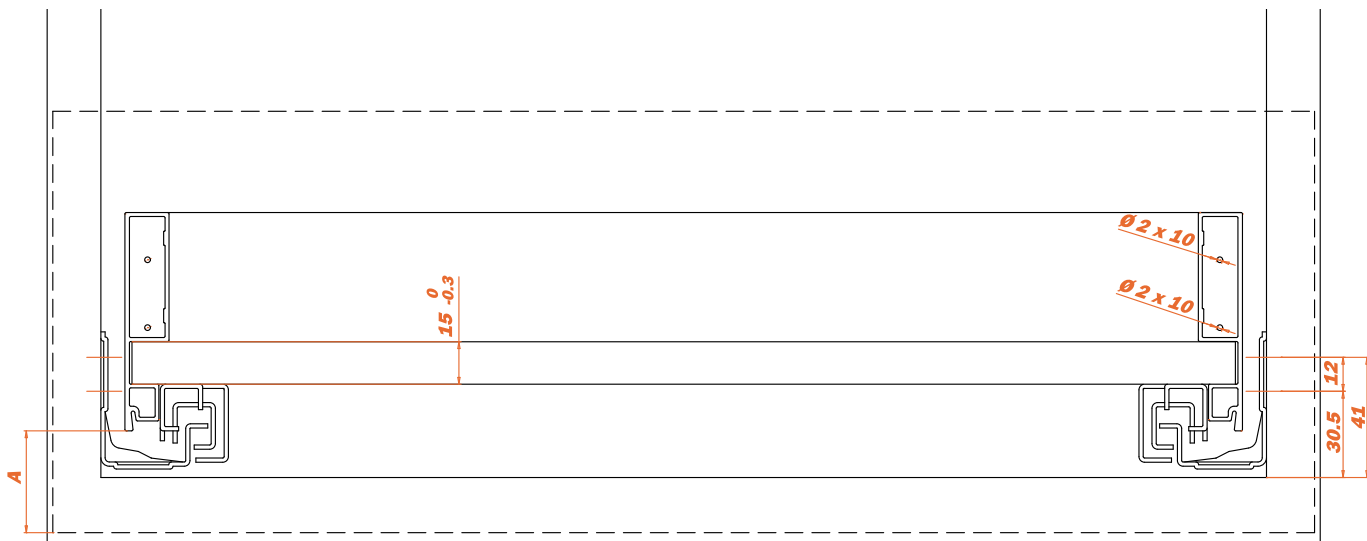
### Thickness of the metal side



### Internal width of the cabinet - 17

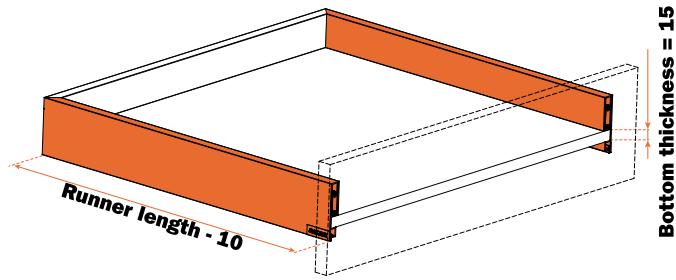


### Dimensions with Futura full-extension runners

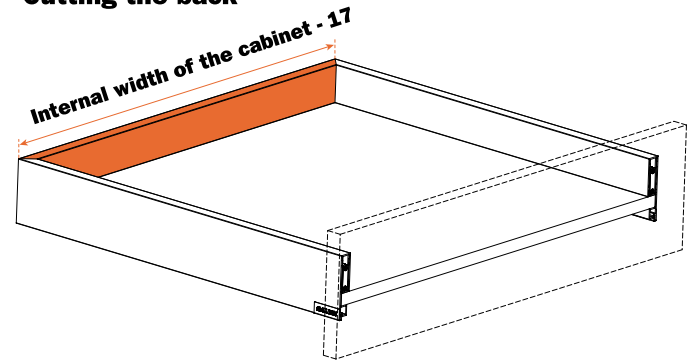




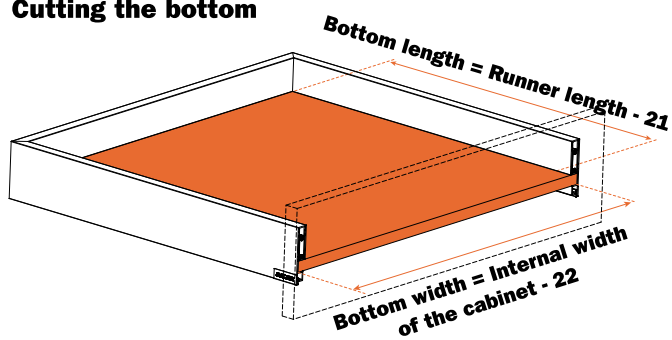
Cutting the sides



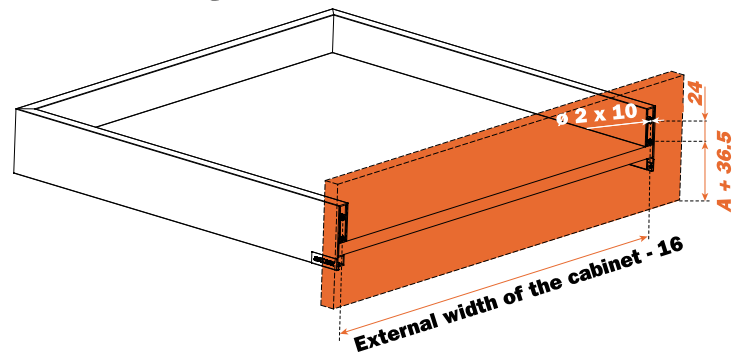
Cutting the back



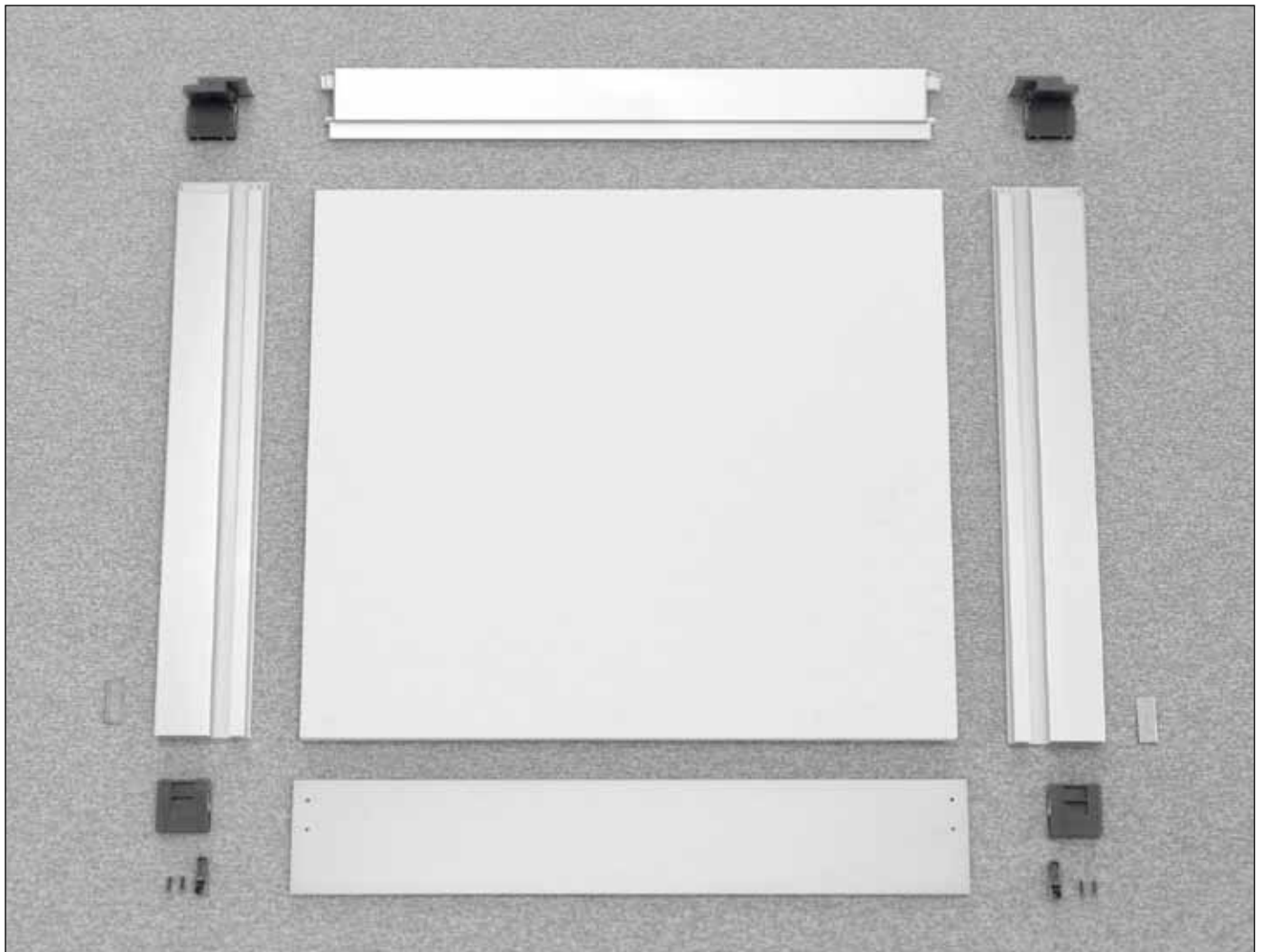
Cutting the bottom



Frontal drilling



Elements of the drawer



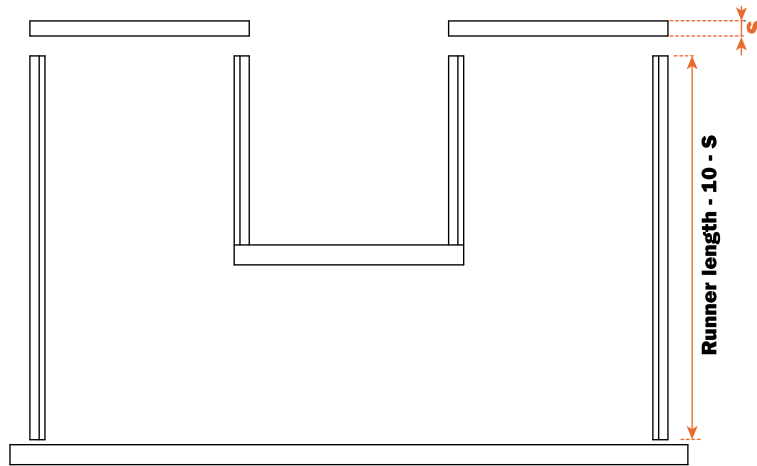
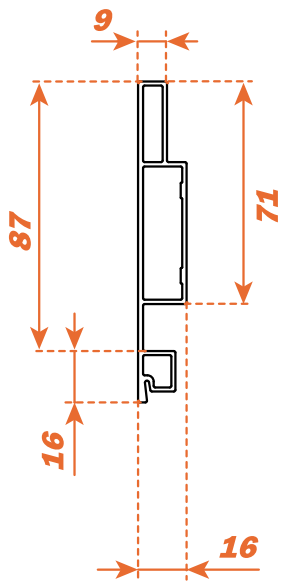
# Lineabox - Metal drawer - Under-sink drawer - 2-sided - H 103 mm



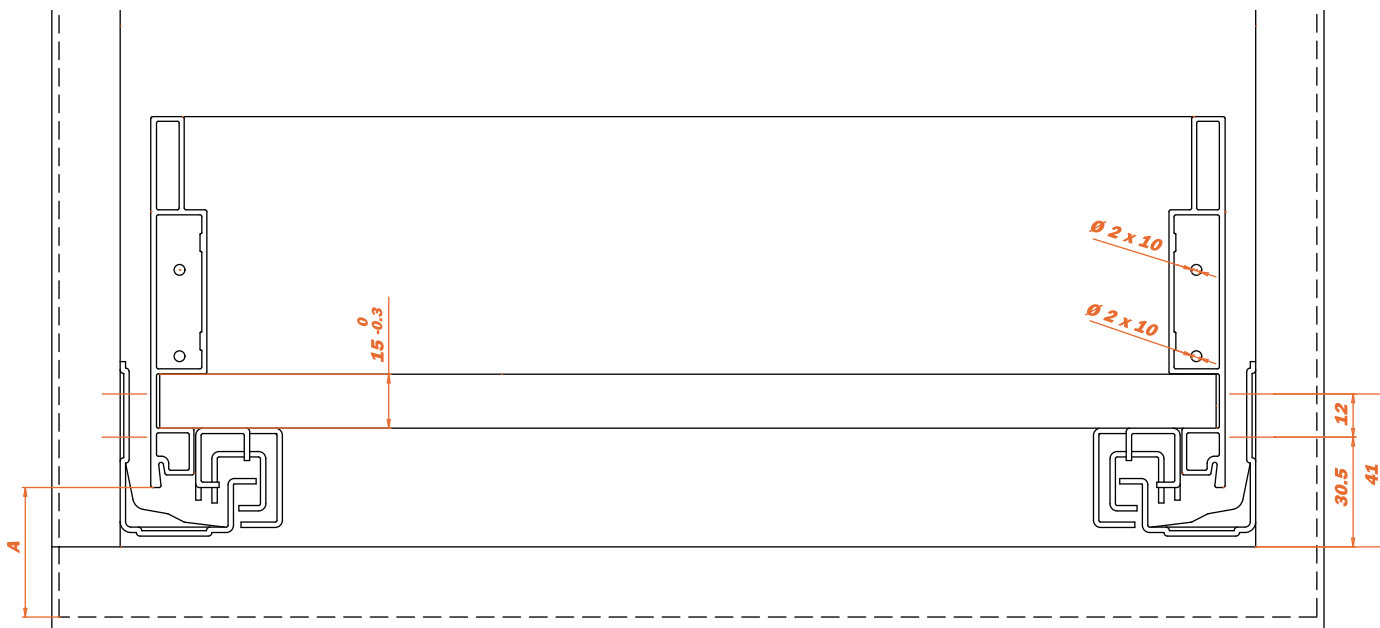
**Lineabox metal sides, wooden frontal and back panel.**  
**Height of the side 103 mm - Internal height 71 mm**  
**For use with Futura full-extension runners:**  
**652 - 655 - 6527 - 6557 - 6525 - 6555 (consult the general catalogue "Runners and drawers").**

- Rapid assembly system, with no machinery or templates needed.
- Rapid mounting and removal of drawer frontal.
- The back can be personalised according the width of the cabinet.
- Height, sideways and depth adjustment of the drawer incorporated in the runner fixing clips.
- Bottom thickness 15 mm.
- Material: Aluminium.
- Finishes:
  - Stainless
  - Champagne
  - Titanium
  - Black
  - White

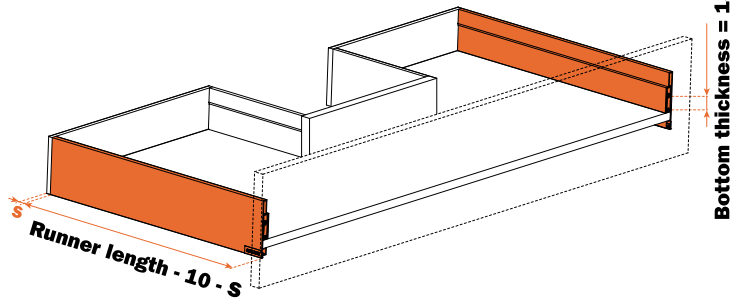
## Thickness of the metal side



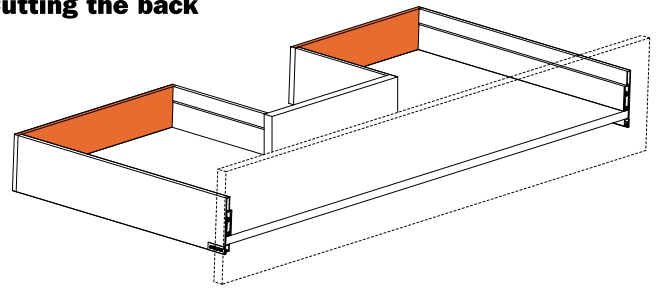
## Dimensions with Futura full-extension runners



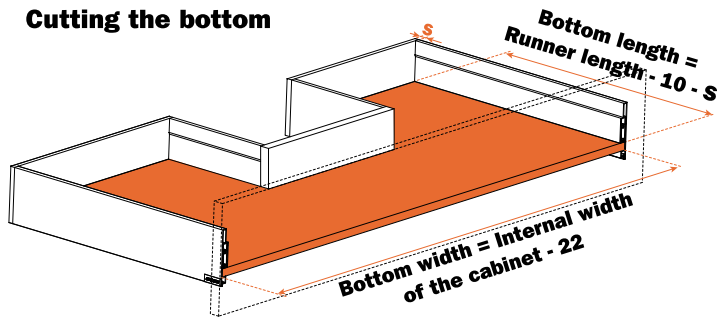
Cutting the sides



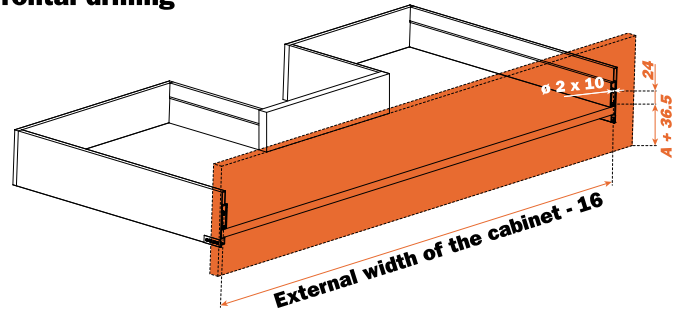
Cutting the back



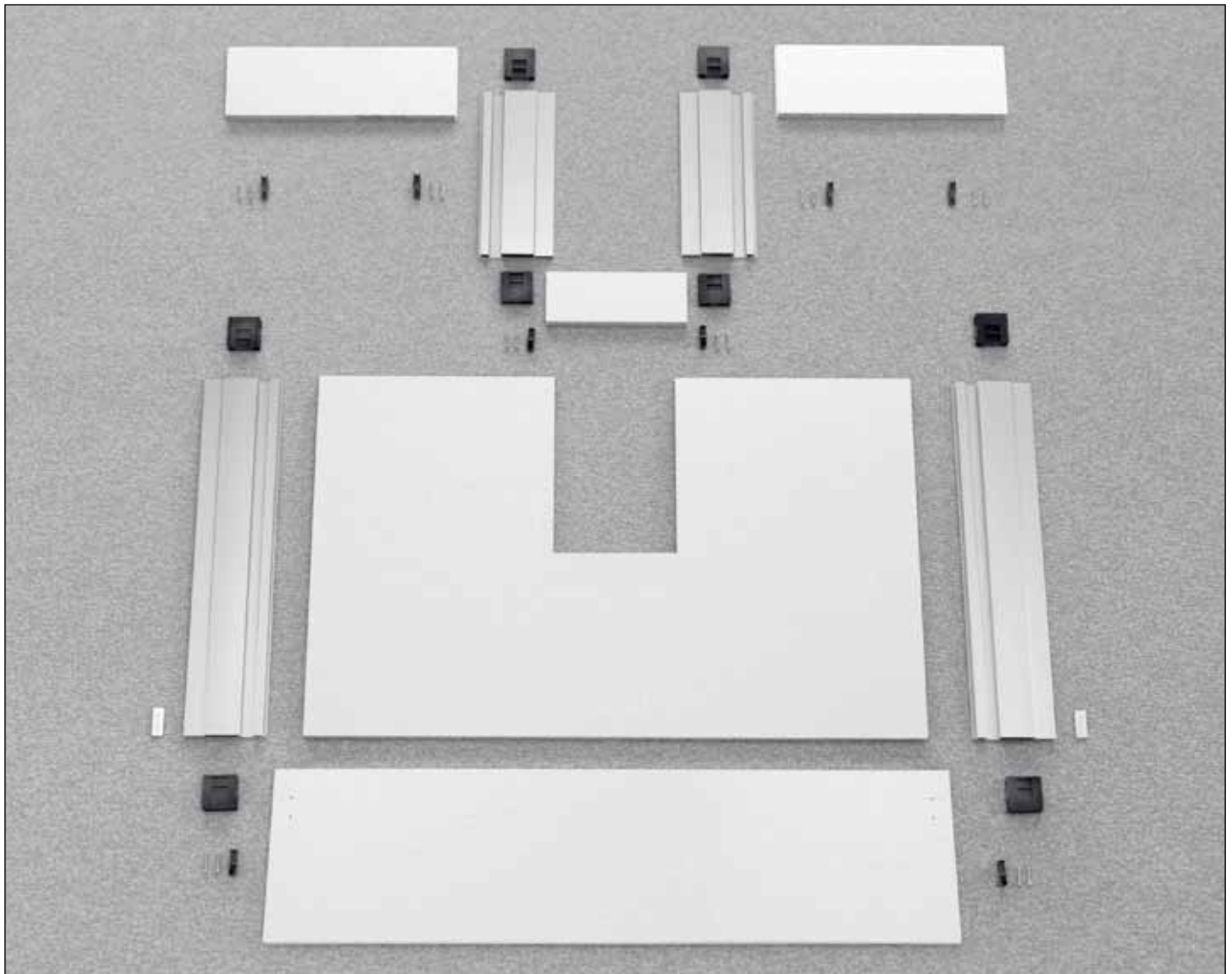
Cutting the bottom



Frontal drilling



Elements of the drawer



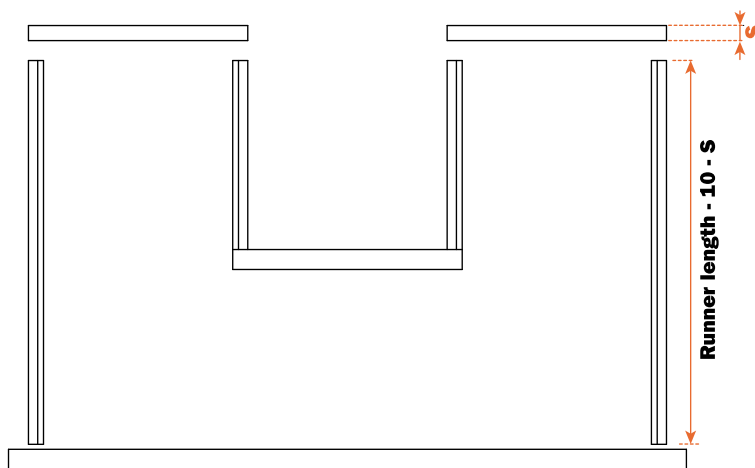
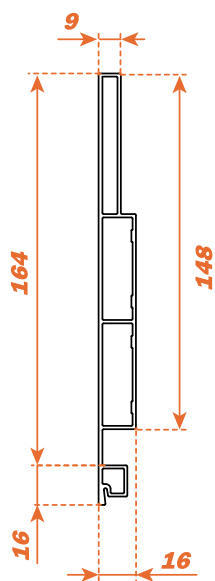
## Lineabox - Metal drawer - Under-sink drawer - 2-sided - H 180 mm



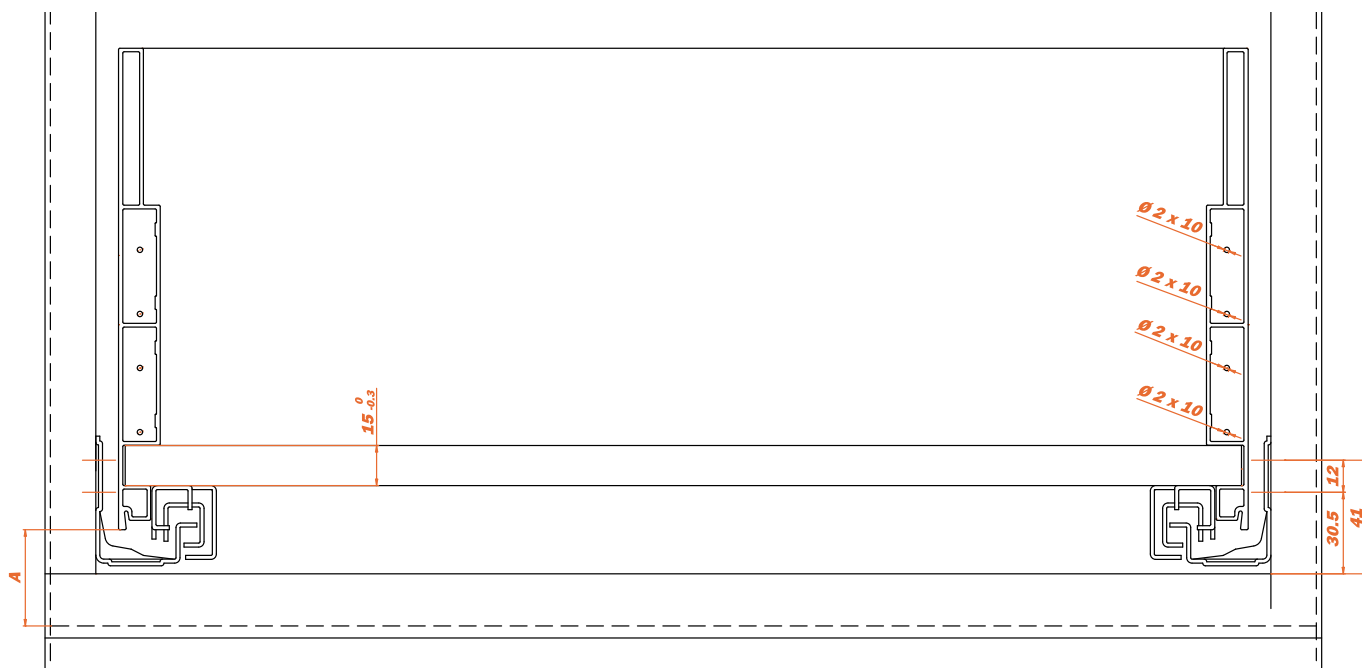
**Lineabox metal sides, wooden frontal and back panel.**  
**Height of the side 180 mm - Internal height 148 mm**  
**For use with Futura full-extension runners:**  
**652 - 655 - 6527 - 6557 - 6525 - 6555 (consult the general catalogue "Runners and drawers").**

- Rapid assembly system, with no machinery or templates needed.
- Rapid mounting and removal of drawer frontal.
- The back can be personalised according the width of the cabinet.
- Height, sideways and depth adjustment of the drawer incorporated in the runner fixing clips.
- Bottom thickness 15 mm.
- Material: Aluminium.
- Finishes:
  - Stainless
  - Champagne
  - Titanium
  - Black
  - White

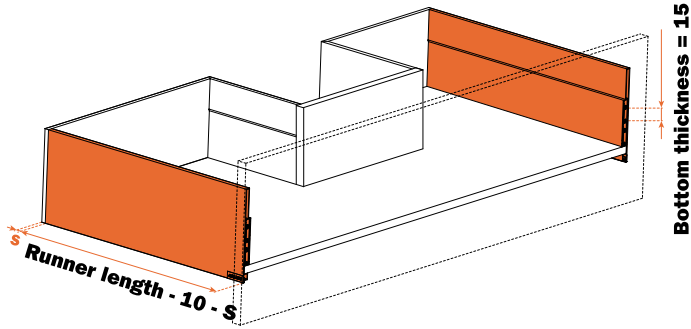
### Thickness of the metal side



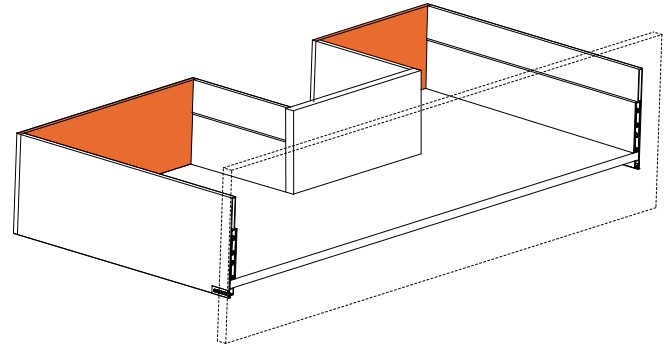
### Dimensions with Futura full-extension runners



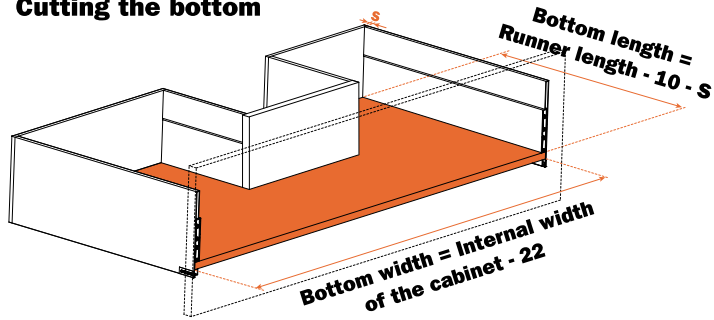
Cutting the sides



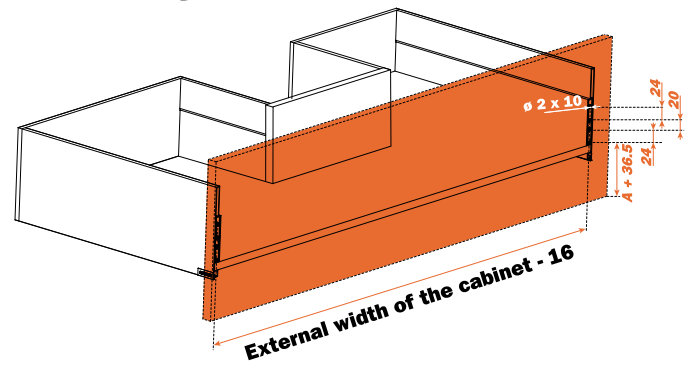
Cutting the back



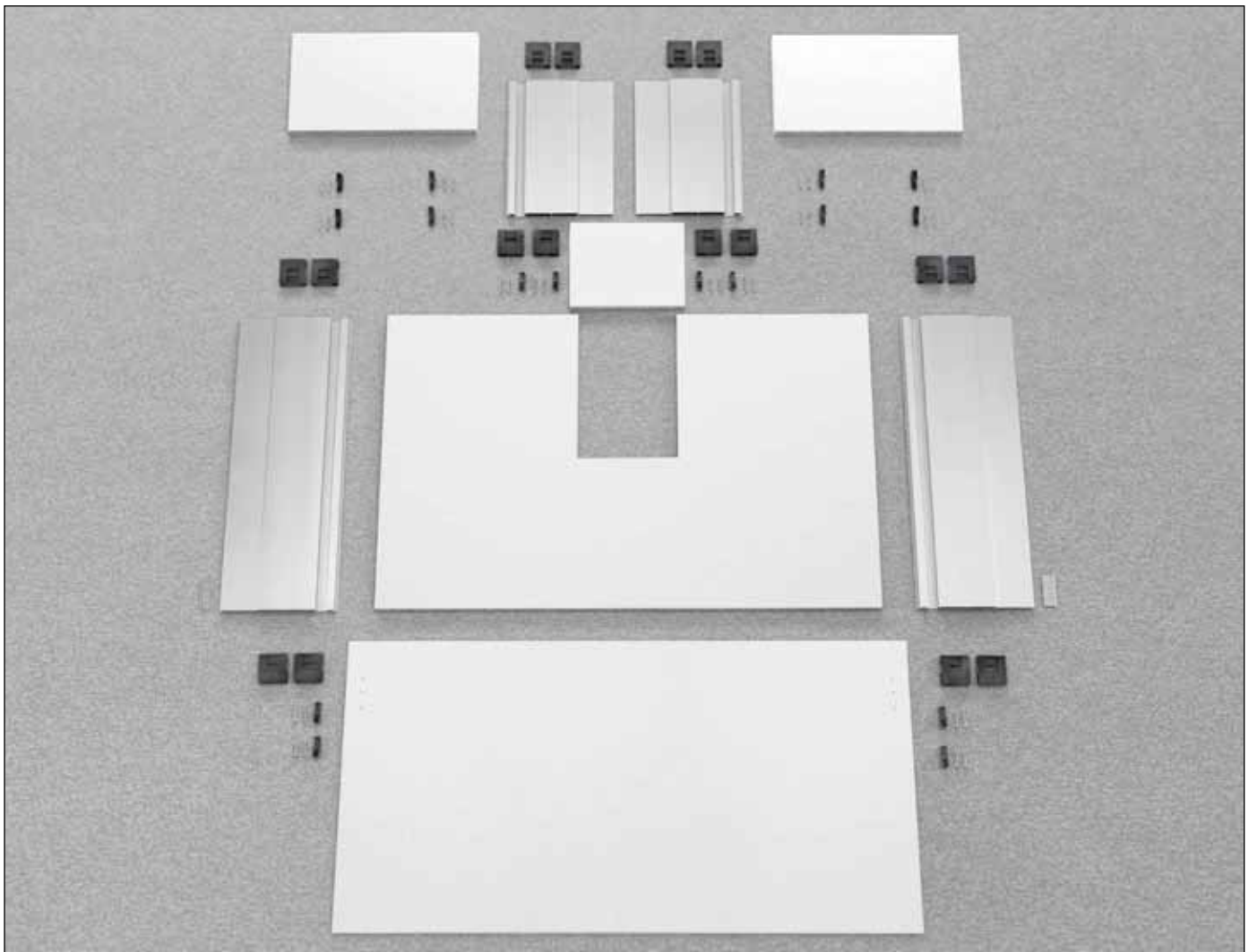
Cutting the bottom



Frontal drilling



Elements of the drawer



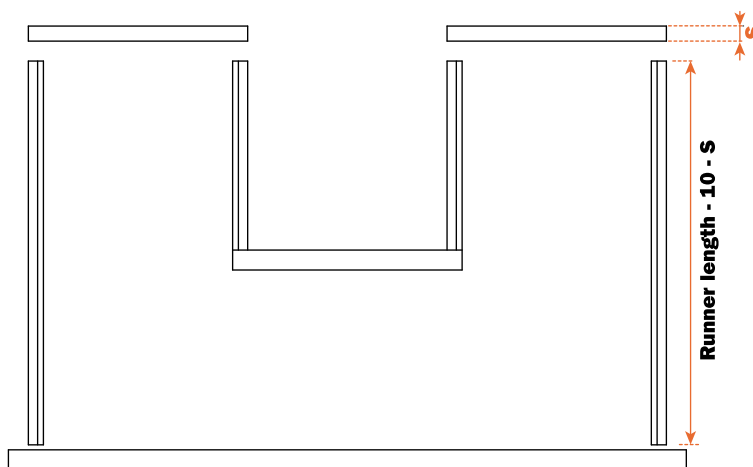
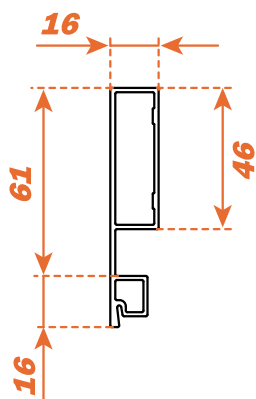
## Lineabox - Metal drawer - Under-sink drawer - 2-sided - H 77 mm



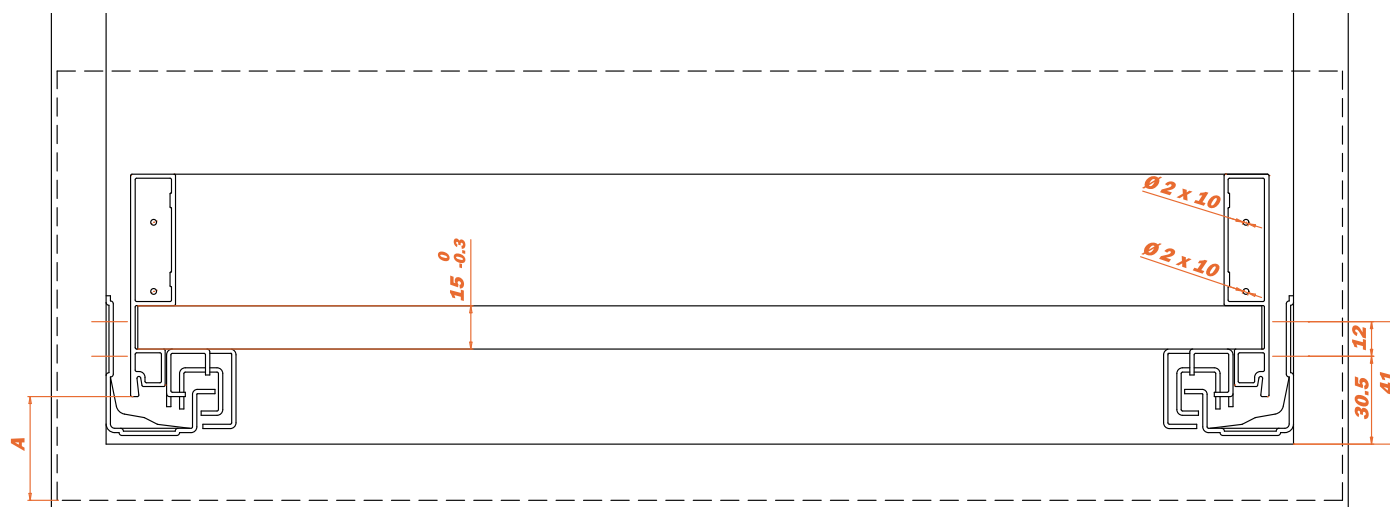
**Lineabox metal sides, wooden frontal and back panel.**  
**Height of the side 77 mm - Internal height 46 mm**  
**For use with Futura full-extension runners:**  
**652 - 655 - 6527 - 6557 - 6525 - 6555 (consult the general catalogue "Runners and drawers").**

- Rapid assembly system, with no machinery or templates needed.
- Rapid mounting and removal of drawer frontal.
- The back can be personalised according the width of the cabinet.
- Height, sideways and depth adjustment of the drawer incorporated in the runner fixing clips.
- Bottom thickness 15 mm.
- Material: Aluminium.
- Finishes: - Stainless
  - Champagne
  - Titanium
  - Black
  - White

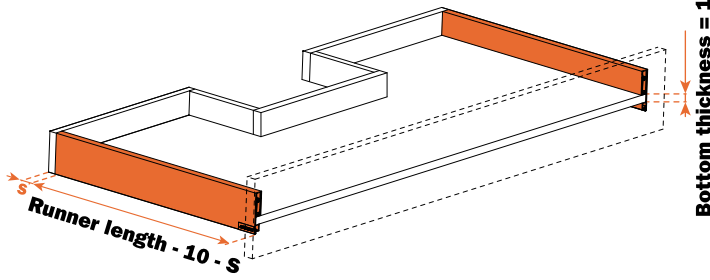
### Thickness of the metal side



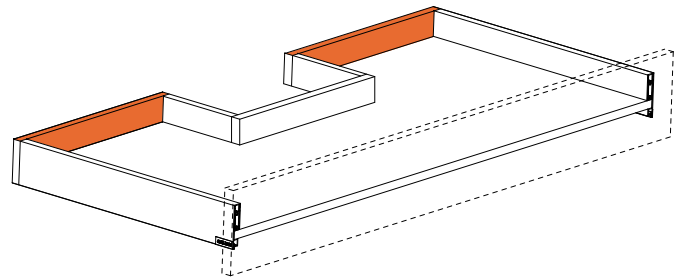
### Dimensions with Futura full-extension runners



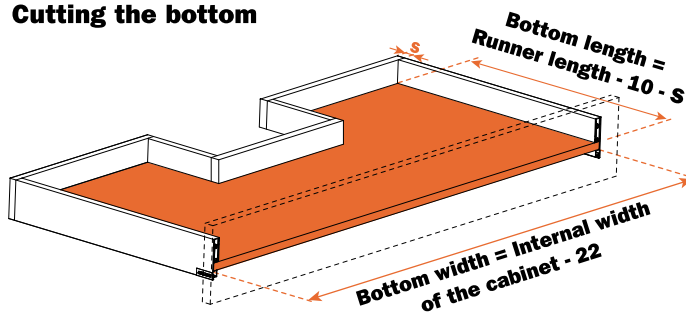
Cutting the sides



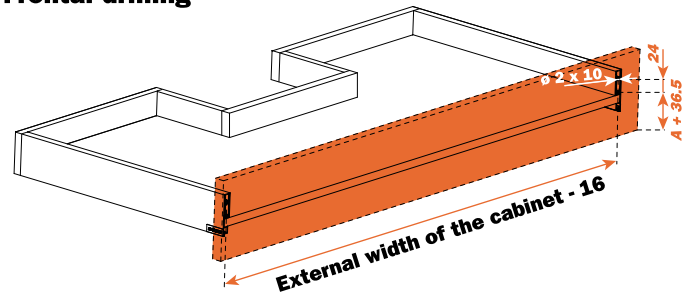
Cutting the back



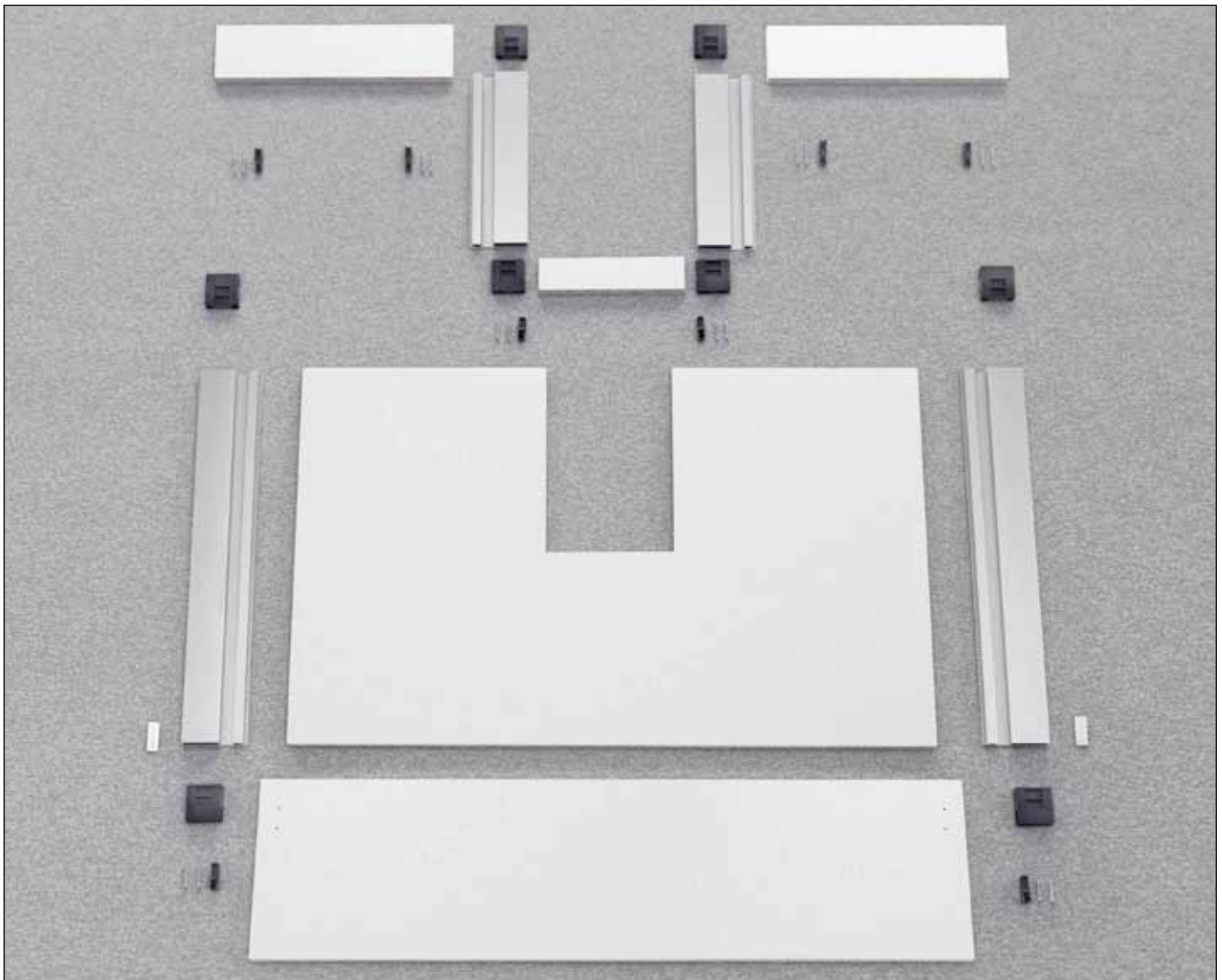
Cutting the bottom



Frontal drilling



Elements of the drawer



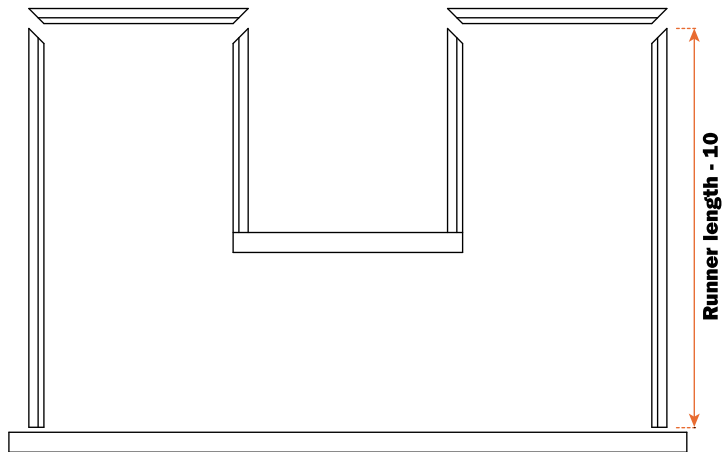
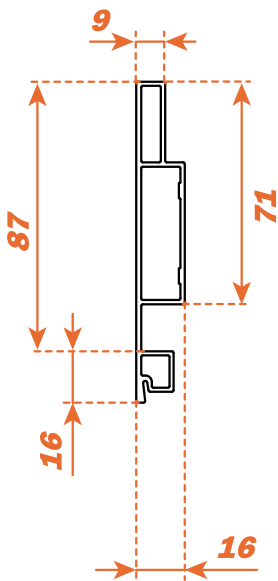
# Lineabox - Metal drawer - Under-sink drawer - 3-sided - H 103 mm



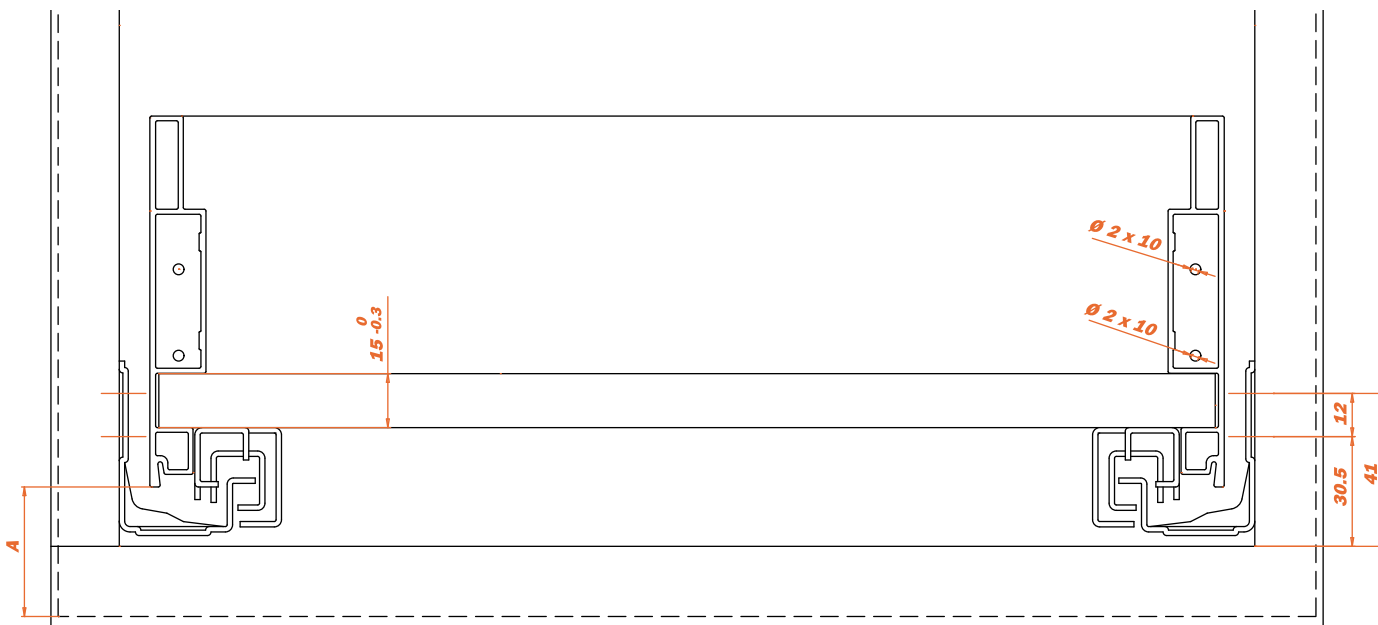
**Height of the side 103 mm - Internal height 71 mm**  
**For use with Futura full-extension runners:**  
**652 - 655 - 6527 - 6557 - 6525 - 6555 (consult the general catalogue "Runners and drawers").**

- Rapid assembly system, with no machinery or templates needed.
- Rapid mounting and removal of drawer frontal.
- The back can be personalised according the width of the cabinet.
- Height, sideways and depth adjustment of the drawer incorporated in the runner fixing clips.
- Bottom thickness 15 mm.
- Material: Aluminium.
- Finishes:
  - Stainless
  - Champagne
  - Titanium
  - Black
  - White

## Thickness of the metal side

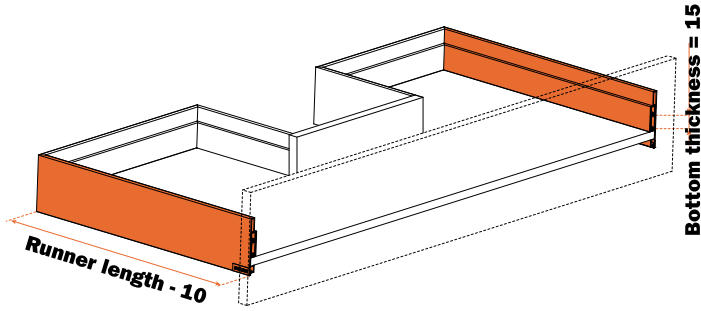


## Dimensions with Futura full-extension runners

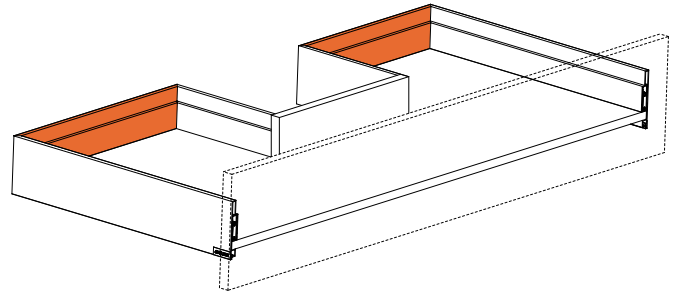




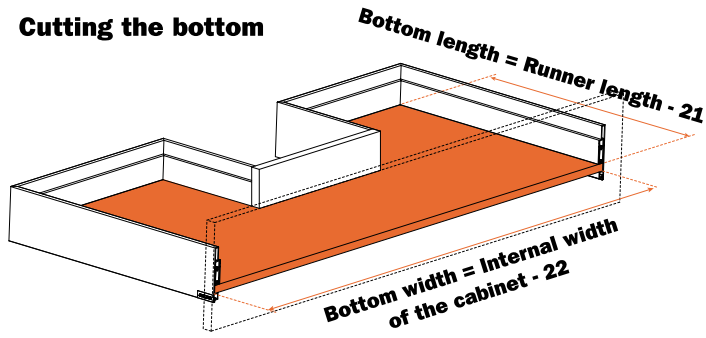
Cutting the sides



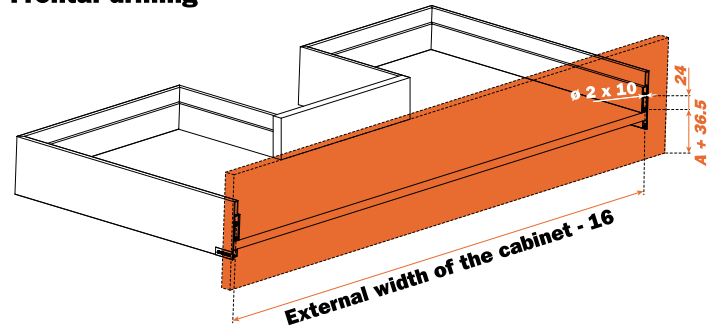
Cutting the back



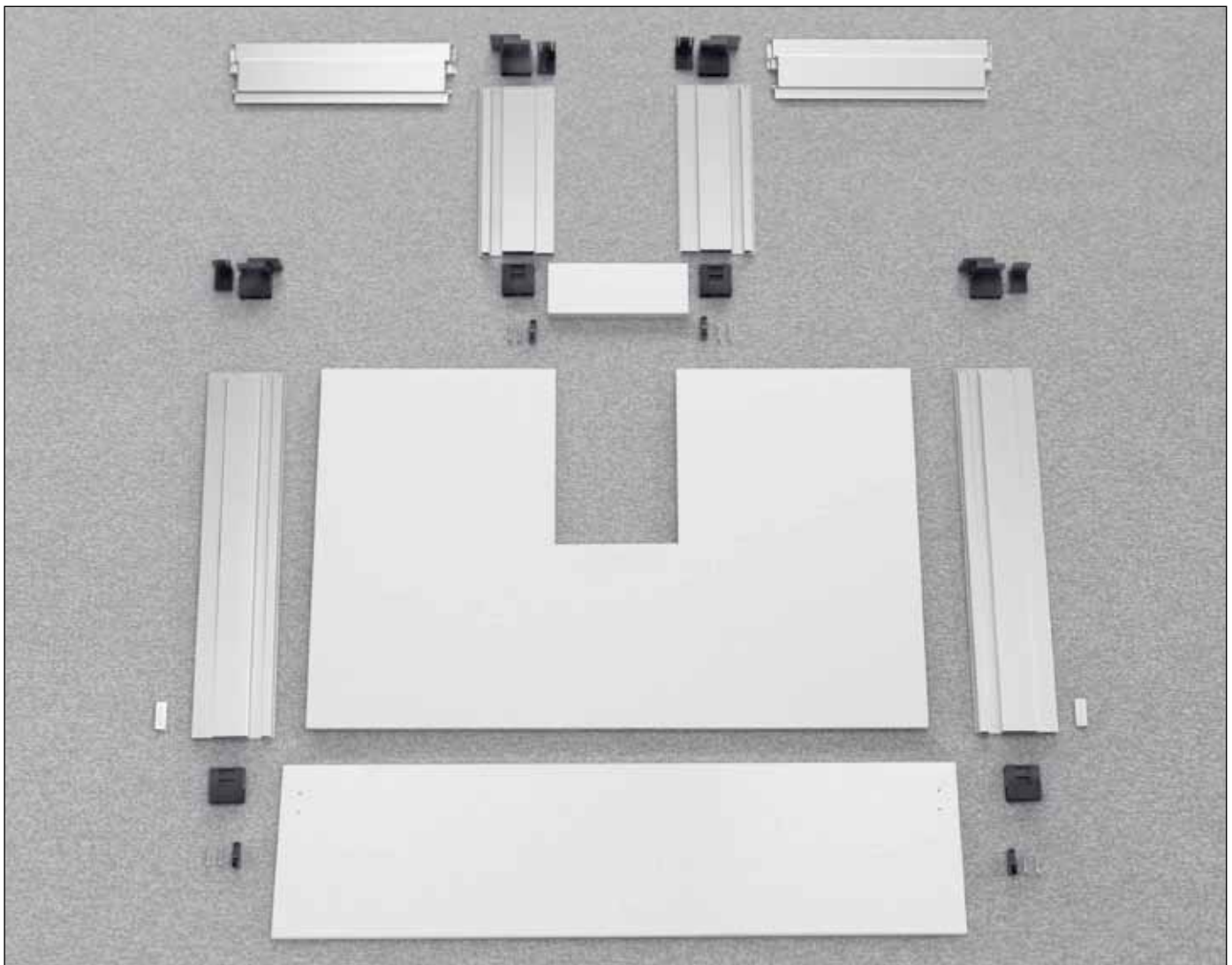
Cutting the bottom



Frontal drilling



Elements of the drawer



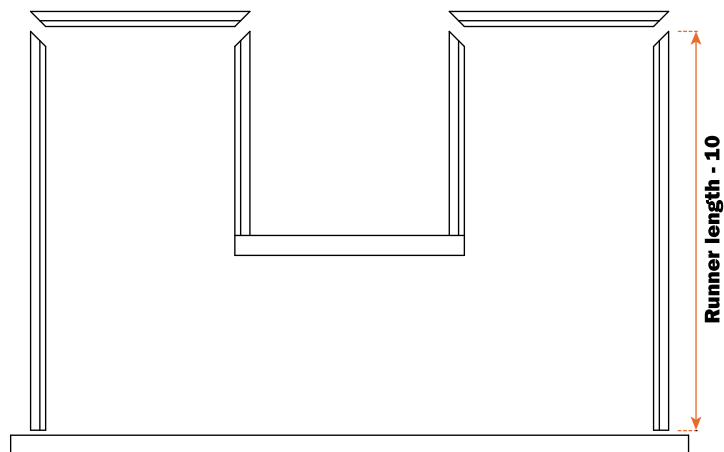
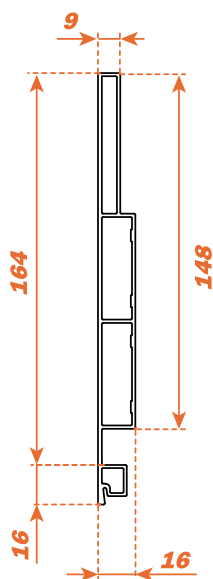
## Lineabox - Metal drawer - Under-sink drawer - 3-sided - H 180 mm



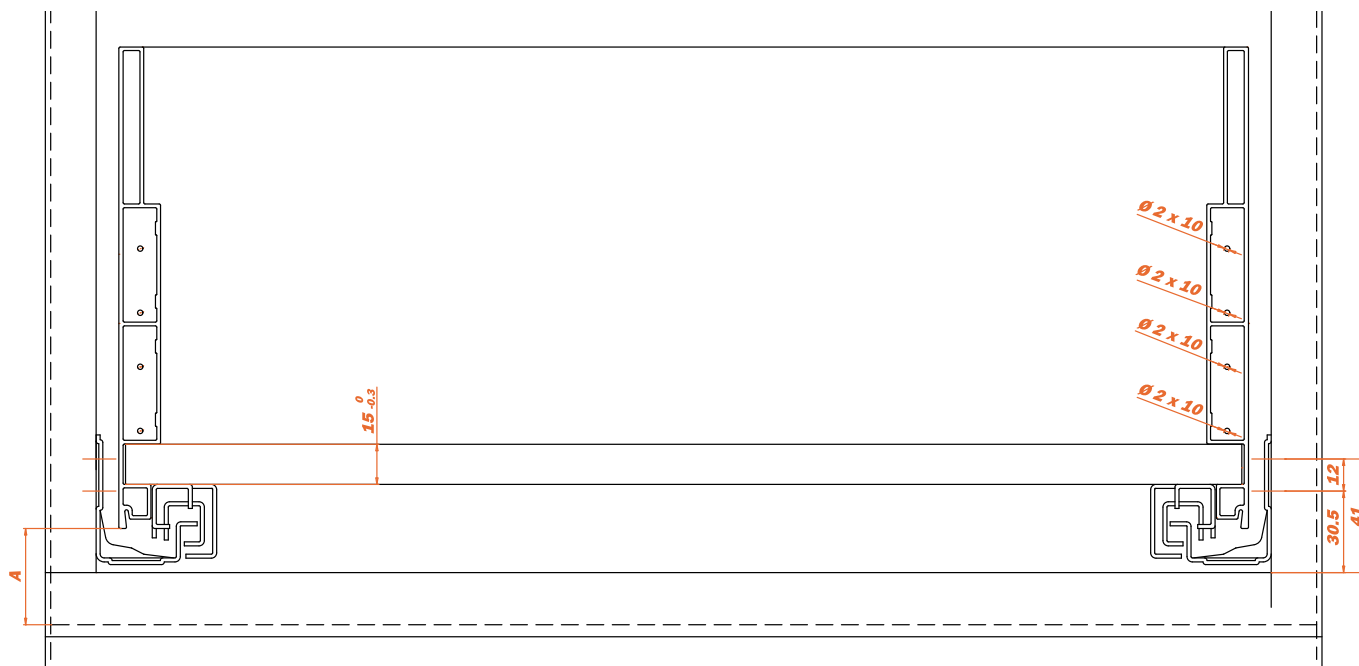
**Height of the side 180 mm - Internal height 148 mm**  
**For use with Futura full-extension runners:**  
**652 - 655 - 6527 - 6557 - 6525 - 6555 (consult the general catalogue "Runners and drawers").**

- Rapid assembly system, with no machinery or templates needed.
- Rapid mounting and removal of drawer frontal.
- The back can be personalised according to the width of the cabinet.
- Height, sideways and depth adjustment of the drawer incorporated in the runner fixing clips.
- Bottom thickness 15 mm.
- Material: Aluminium.
- Finishes:
  - Stainless
  - Champagne
  - Titanium
  - Black
  - White

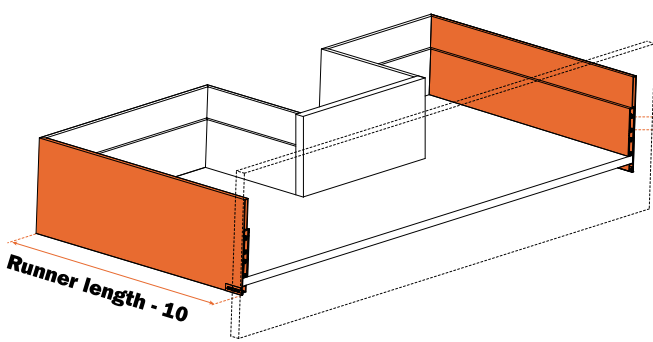
### Thickness of the metal side



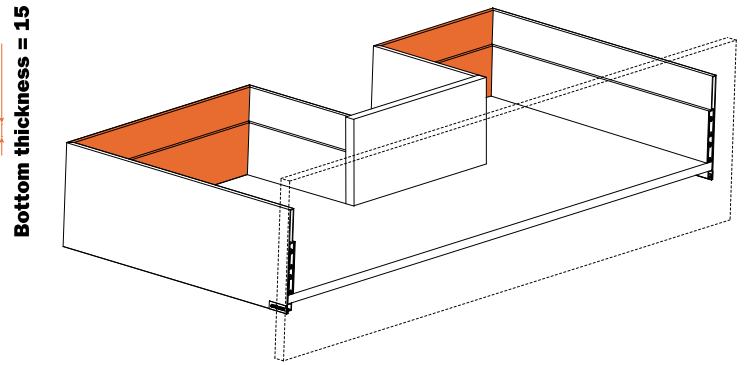
### Dimensions with Futura full-extension runners



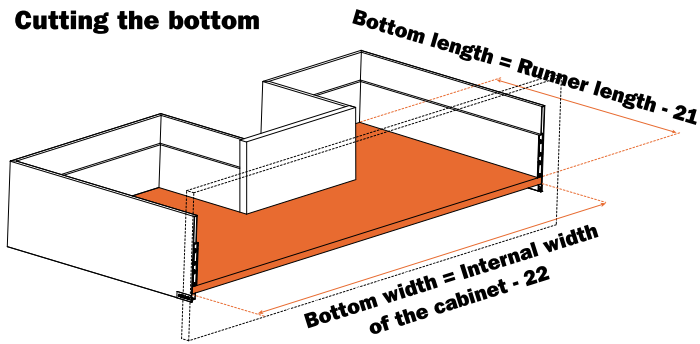
Cutting the sides



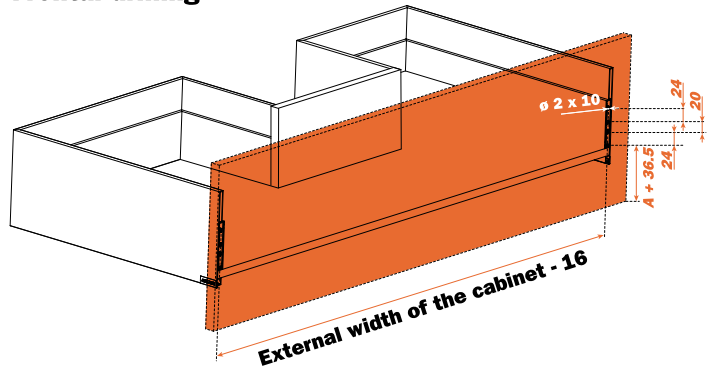
Cutting the back



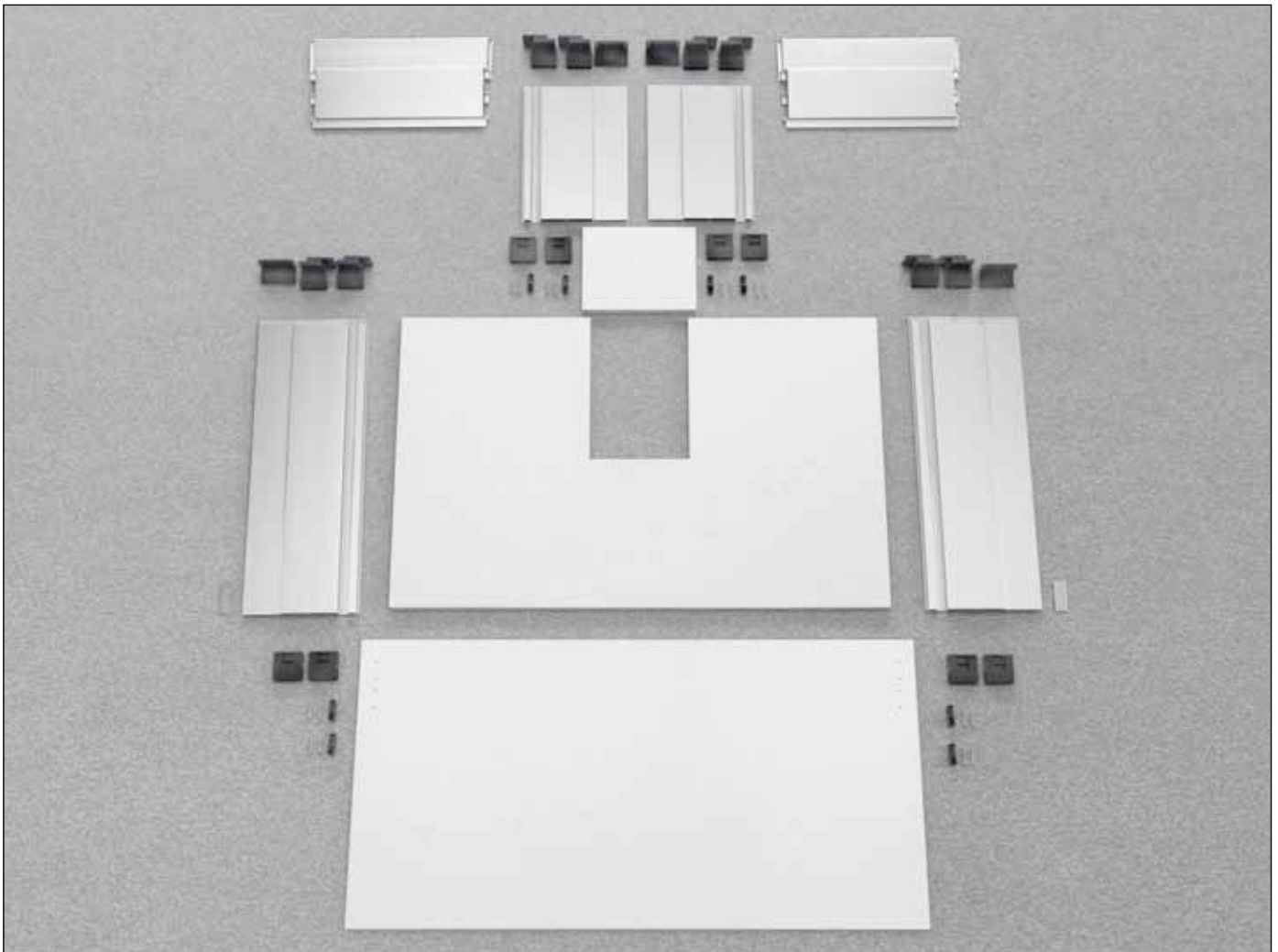
Cutting the bottom



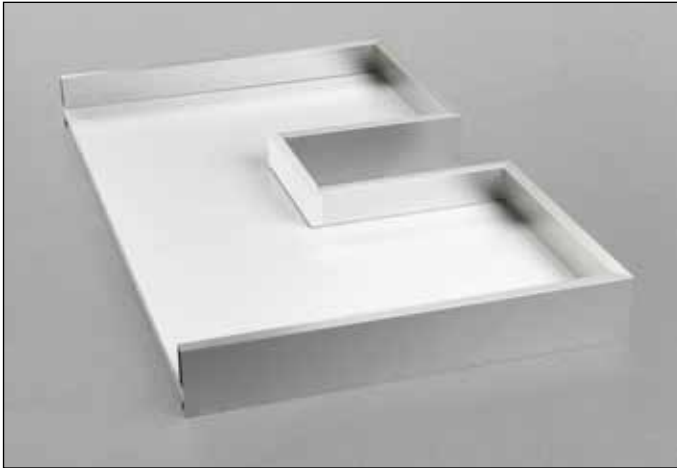
Frontal drilling



Elements of the drawer



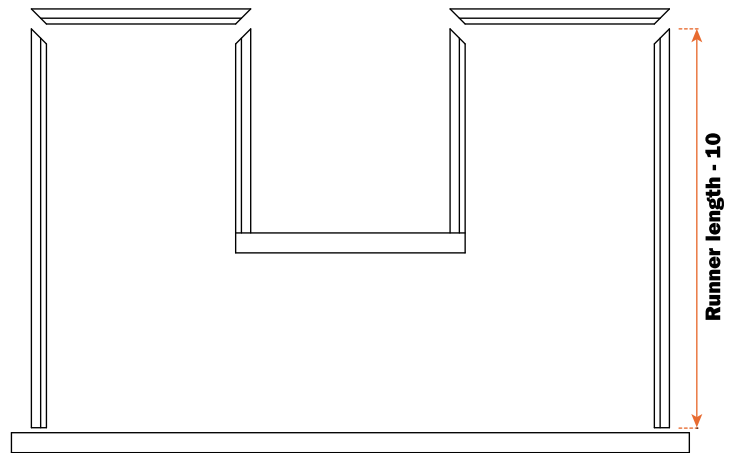
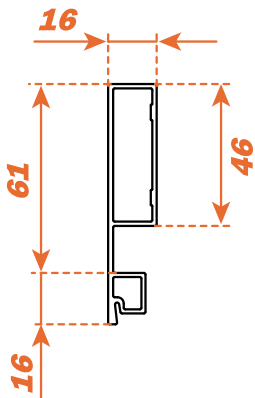
## Lineabox - Metal drawer - Under-sink drawer - 3-sided - H 77 mm



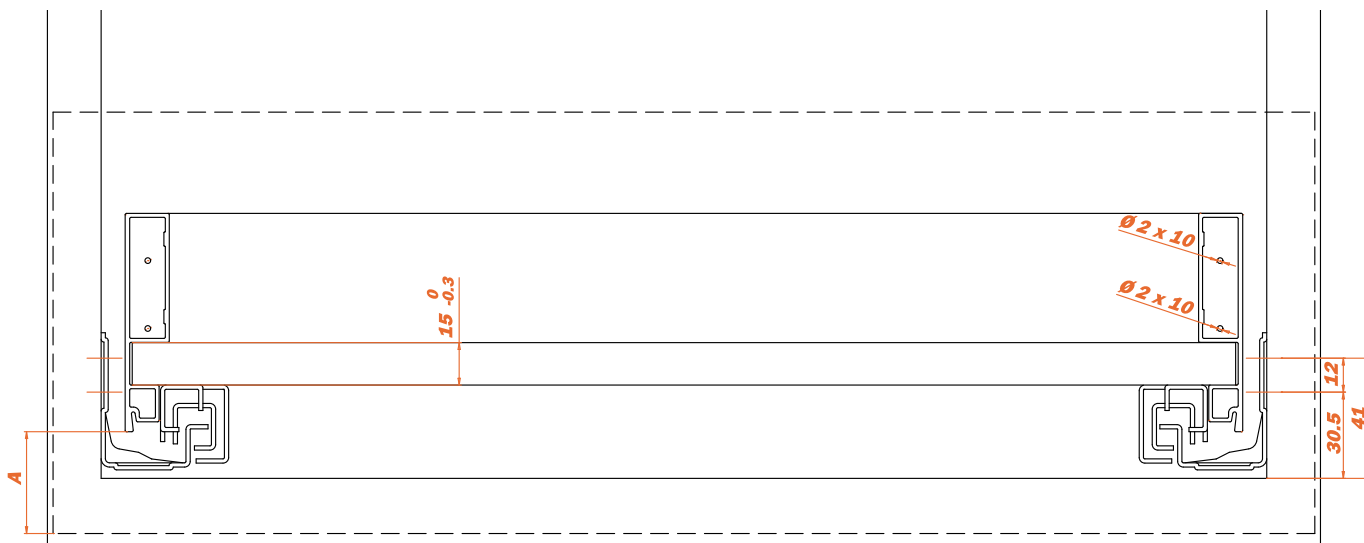
**Height of the side 77 mm - Internal height 46 mm**  
**For use with Futura full-extension runners:**  
**652 - 655 - 6527 - 6557 - 6525 - 6555 (consult the general catalogue "Runners and drawers").**

- Rapid assembly system, with no machinery or templates needed.
- Rapid mounting and removal of drawer frontal.
- The back can be personalised according the width of the cabinet.
- Height, sideways and depth adjustment of the drawer incorporated in the runner fixing clips.
- Bottom thickness 15 mm.
- Material: Aluminium.
- Finishes:
  - Stainless
  - Champagne
  - Titanium
  - Black
  - White

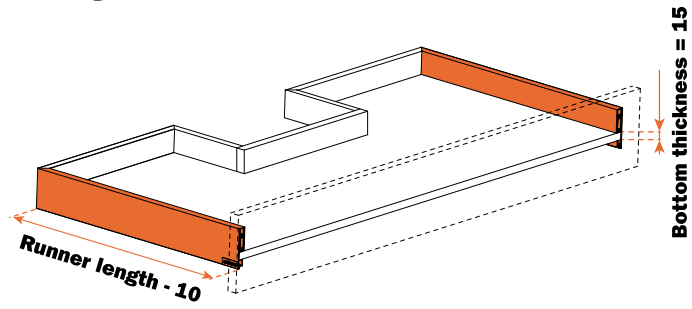
### Thickness of the metal side



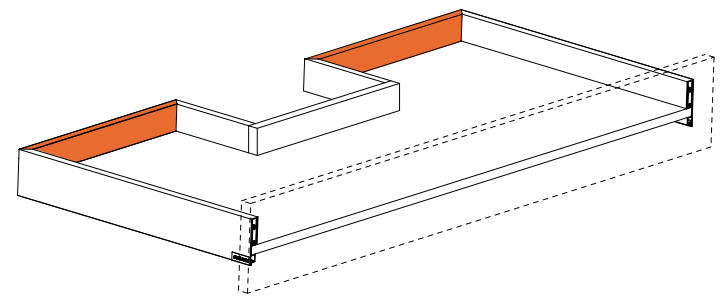
### Dimensions with Futura full-extension runners



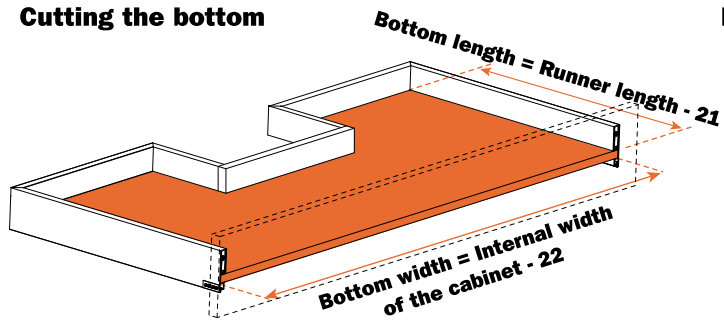
Cutting the sides



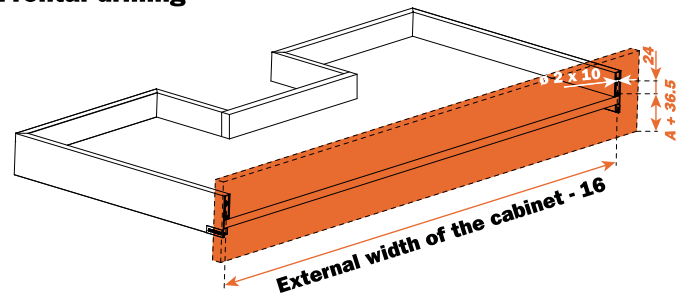
Cutting the back



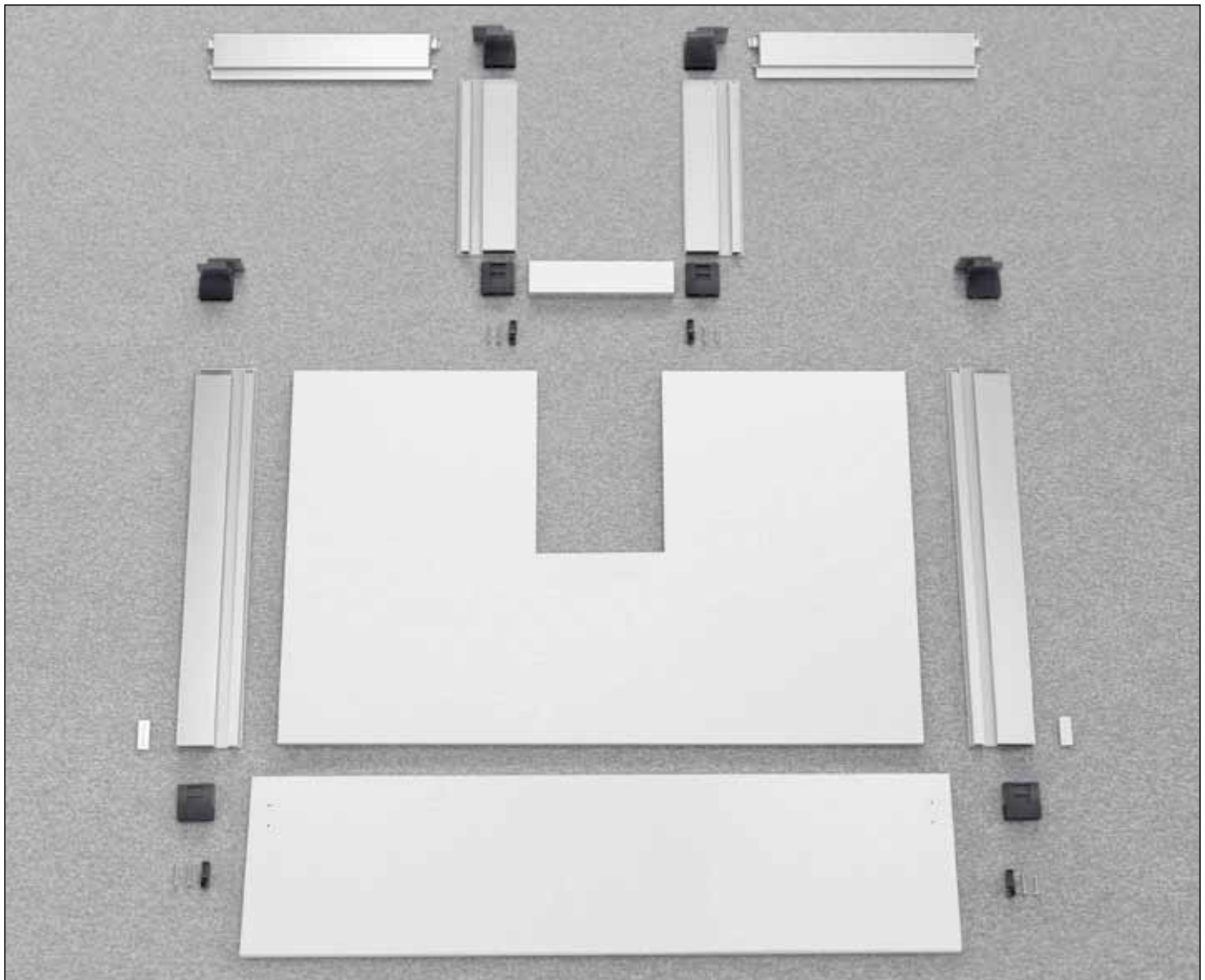
Cutting the bottom



Frontal drilling



Elements of the drawer

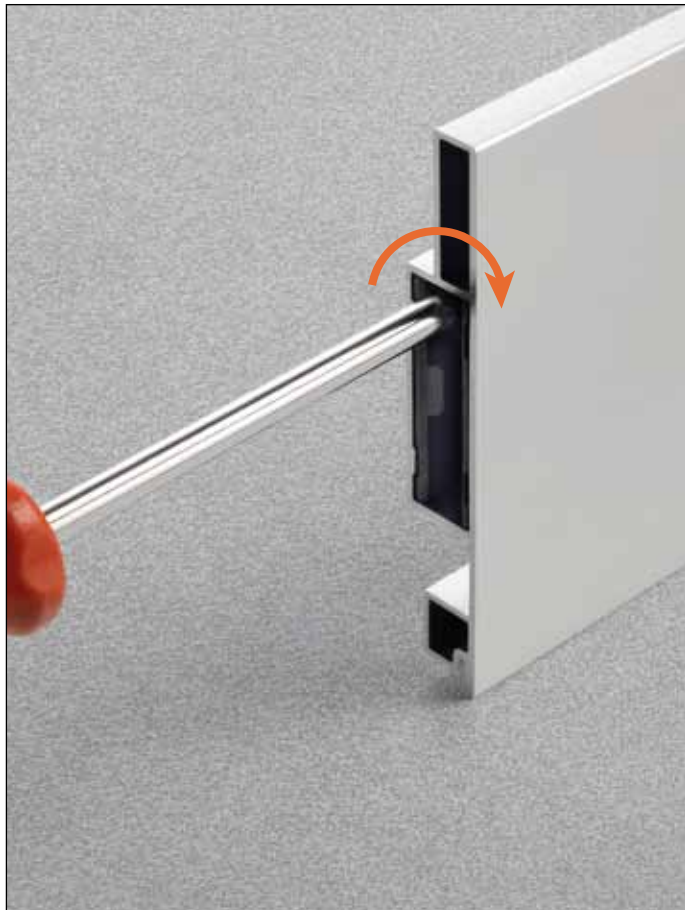


# Lineabox - 2-sided - Assembly features

## Front



## Back



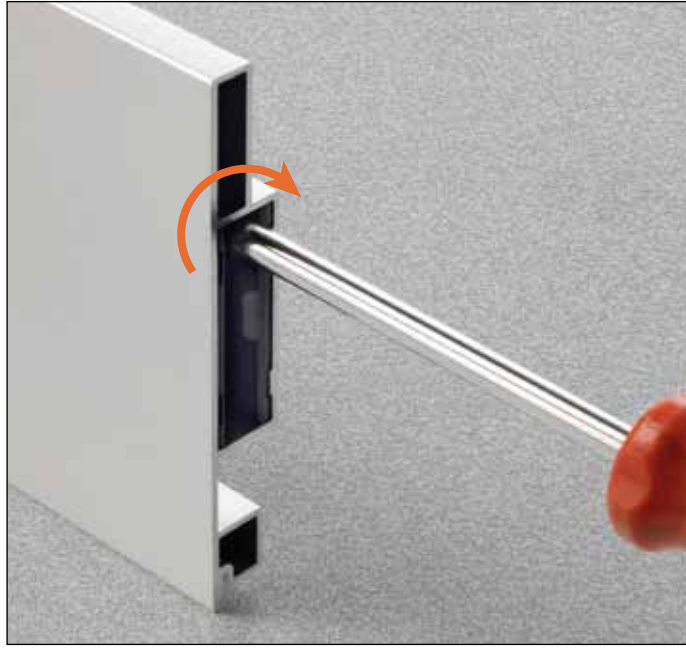
**Back**



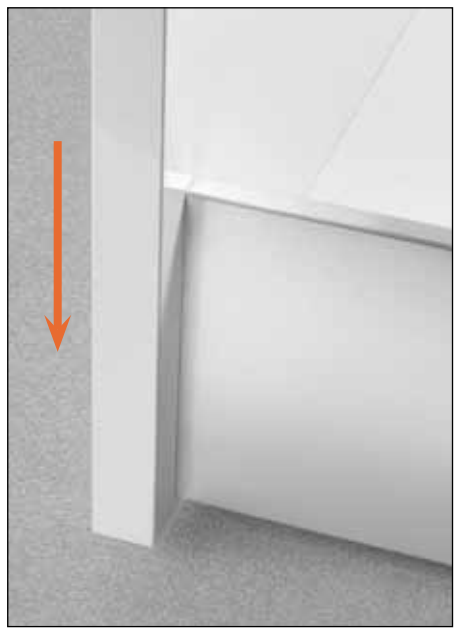
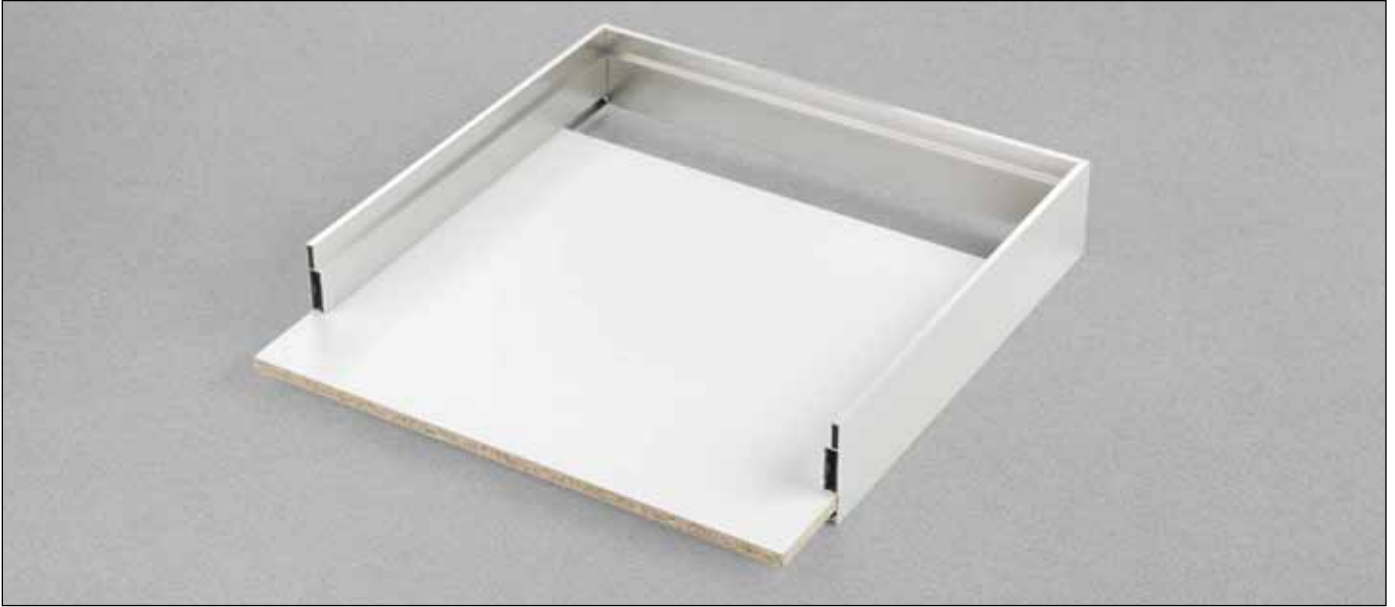
**Front**



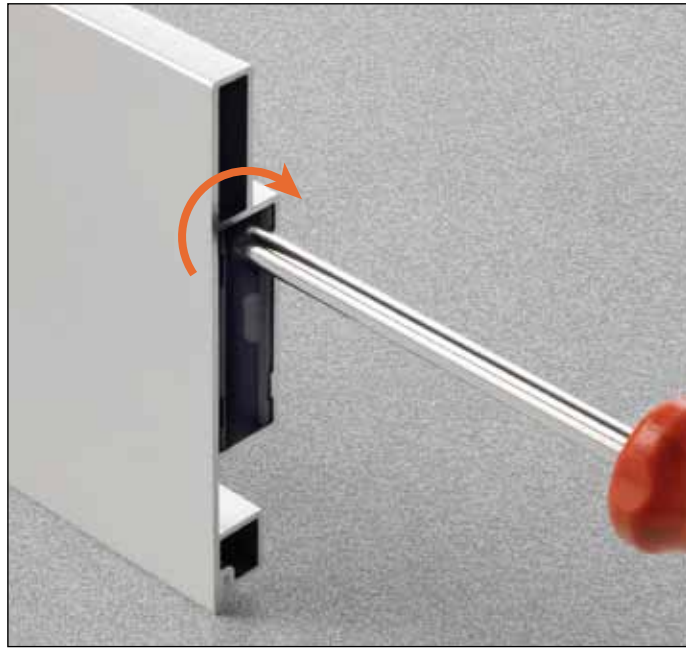
## Lineabox - 3-sided - Assembly features

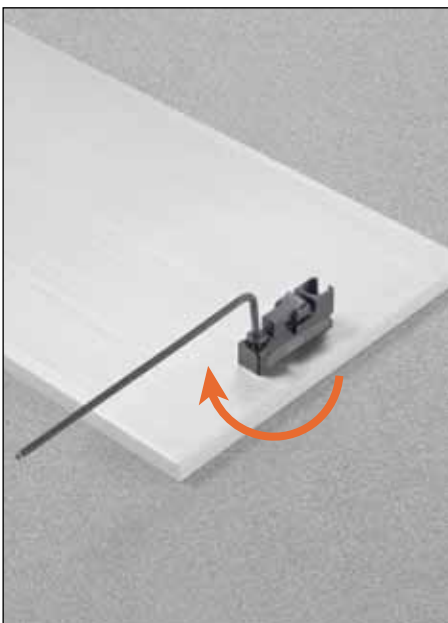
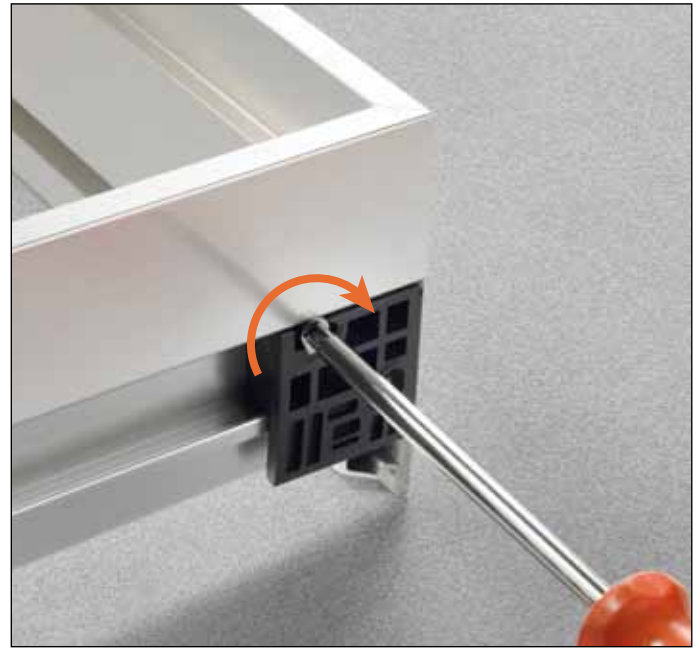






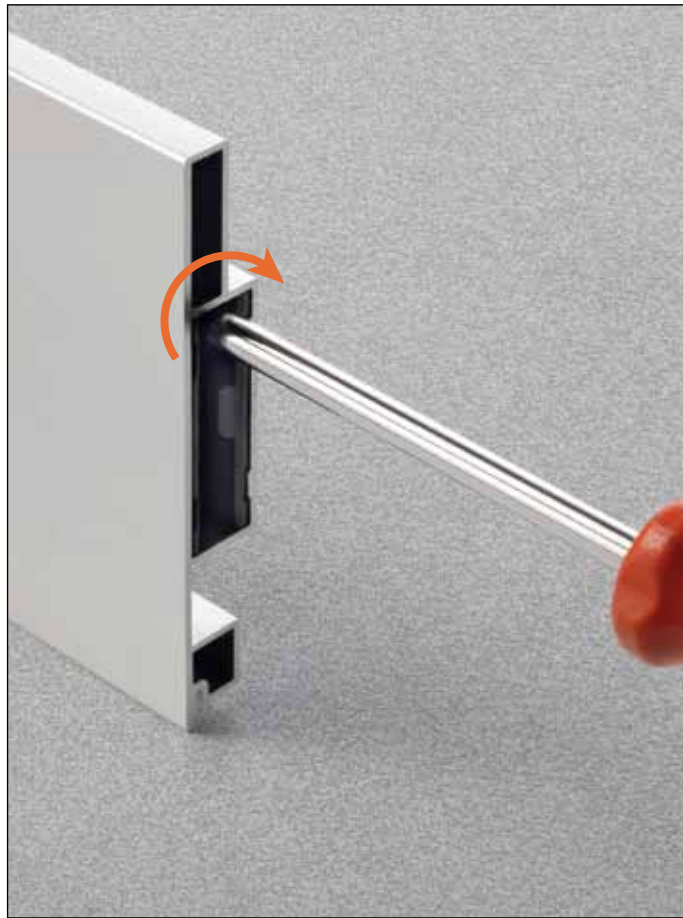
## Lineabox - 4-sided - Assembly features





# Lineabox - Under-sink drawer - 2-sided - Assembly features

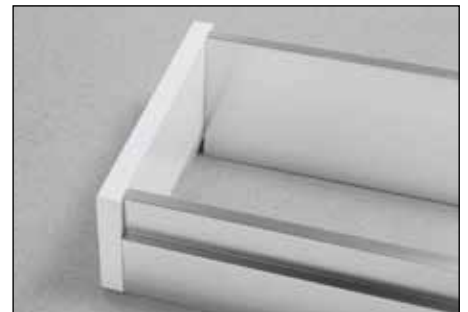
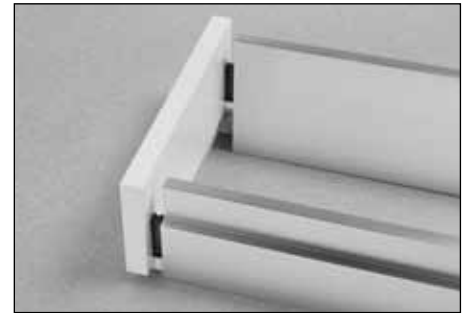
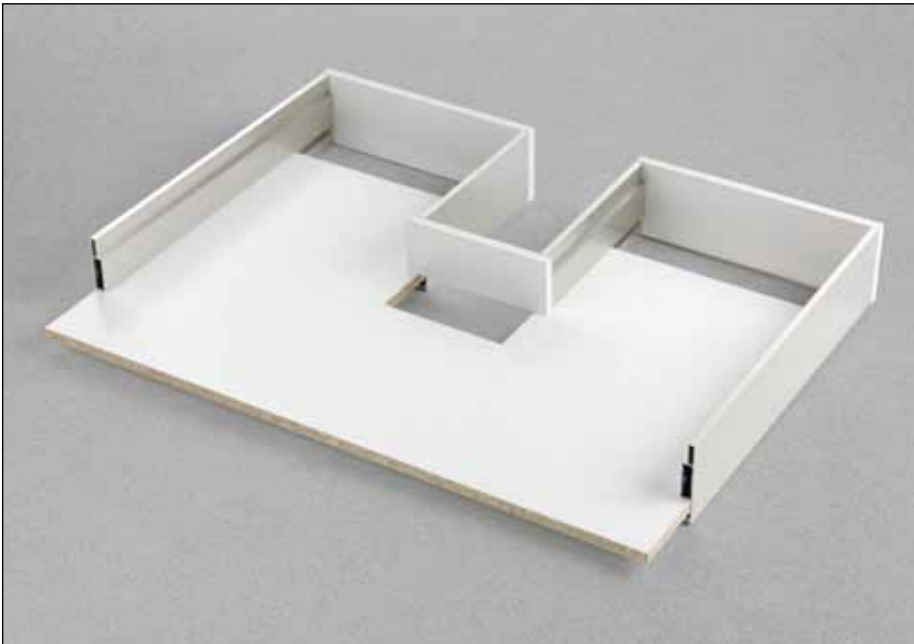
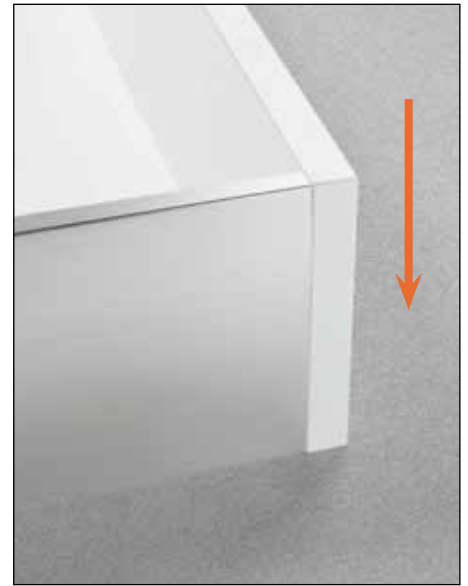
## Front



## Back



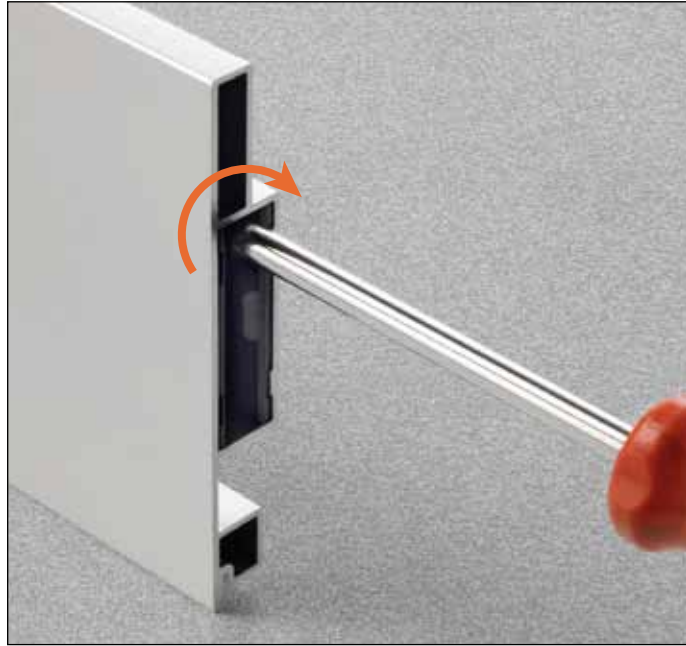
**Back**

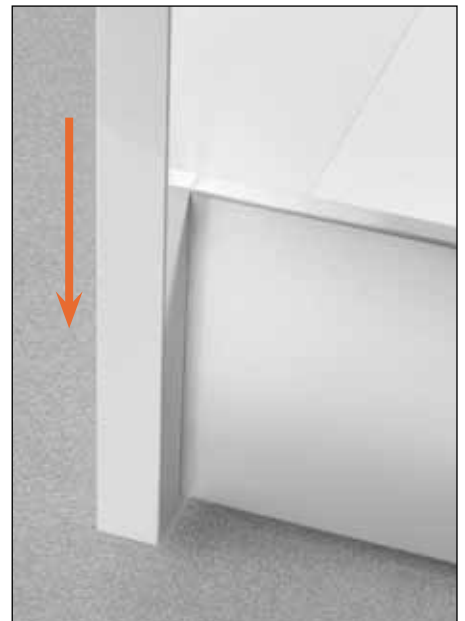
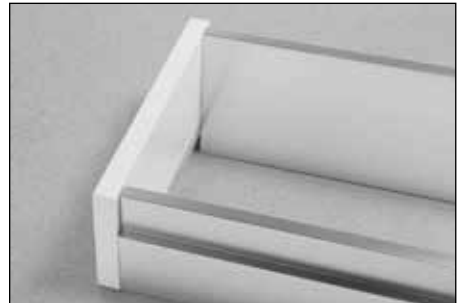
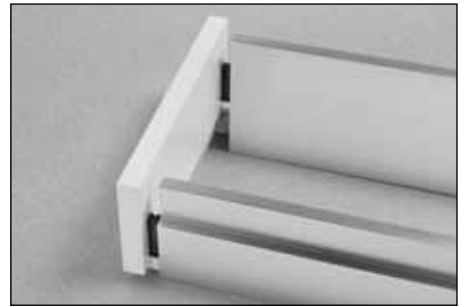
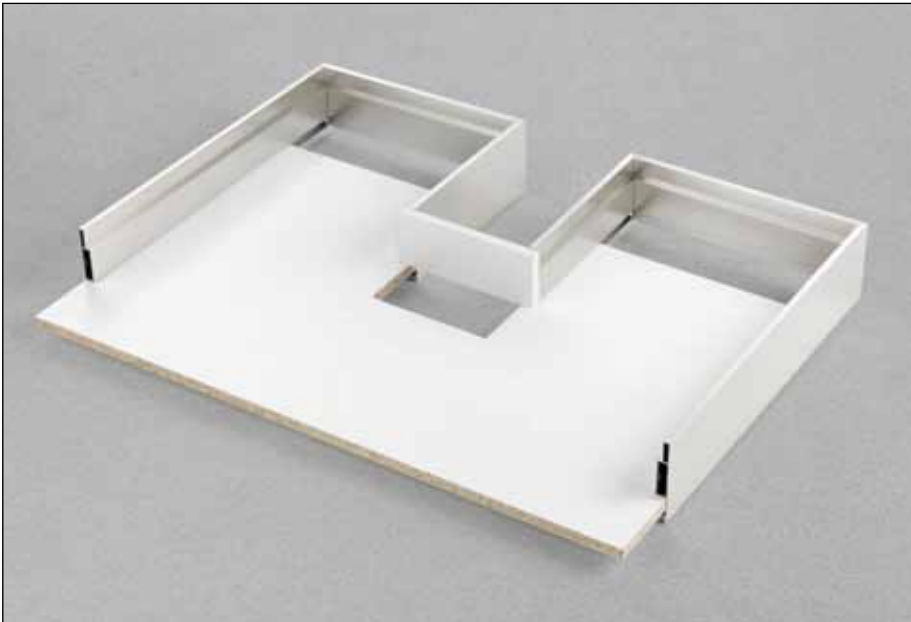


**Front**



## Lineabox - Under-sink drawer - 3-sided - Assembly features













# Finishes

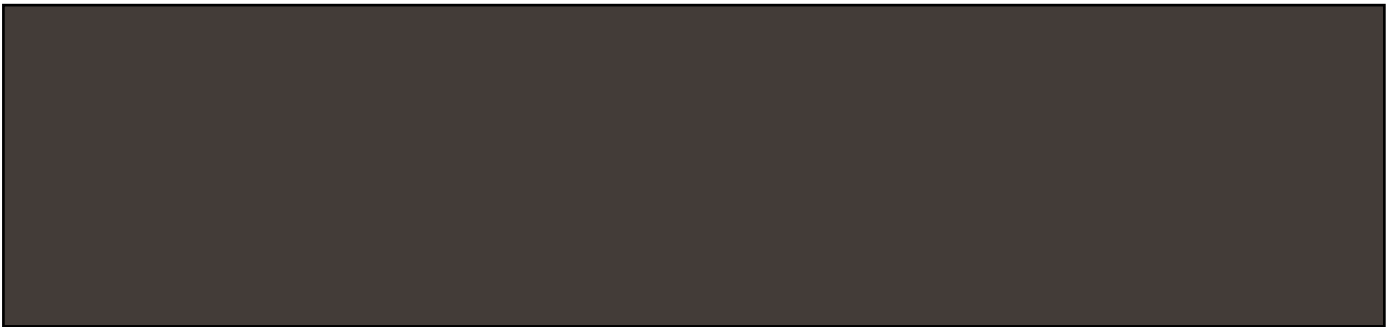
## Stainless



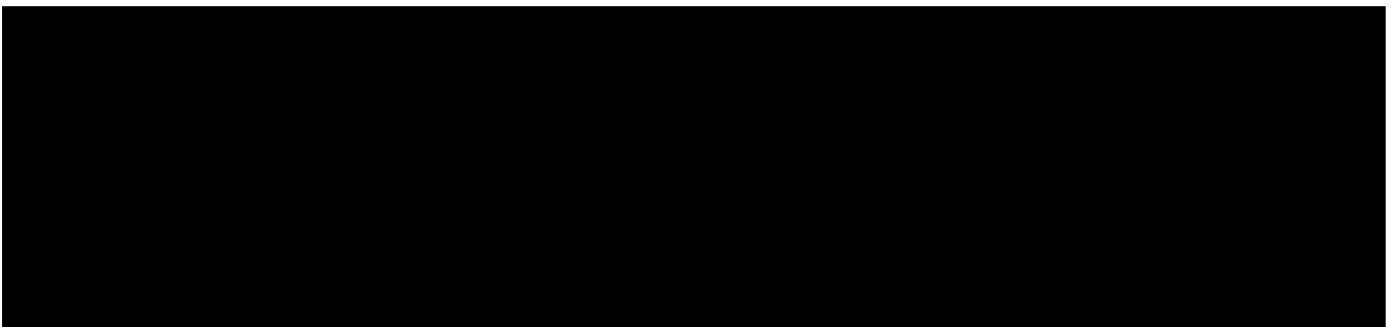
## Champagne



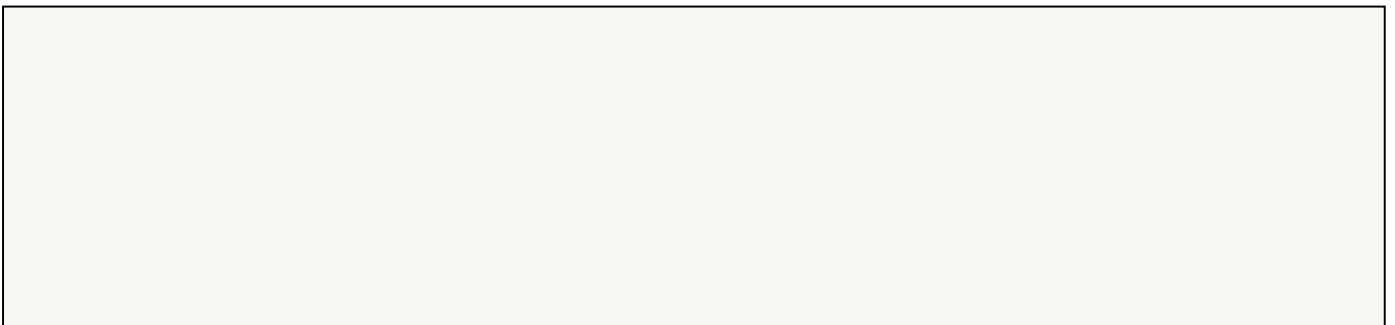
## Titanium



## Black



## White





## Lift - Opening systems - Flap door



## Lift - Opening systems - Flap door





## Part number composition

- F** = Lifting system
- R2** = Flap door opening
- D/S** = Right or left versions
- XXXX** = Special options
- SN** = Cover with Salice logo / **99** = Cover with arrangement for screw cover cap
- X** = Colour of the cover
- X1** = Cover with silk-screen printed logo

**FR2XXXXSNX**

**D** = right version  
**S** = left version

**G** = grey cover  
**1** = white cover  
**9** = nickel-pl. cover



**FR2XXXX999**

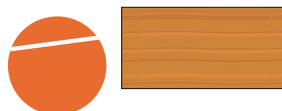
Part number for Lift system supplied with nickel-plated cover with arrangement for screw cover cap.

Screw cover cap to be ordered separately.



**FR2XXXXX\_9X1**

Part number for Lift system supplied with nickel-plated cover with silk-screen printed logo.



## Components of the system for wooden door



### FR2DXXXXSNX

Lifting system - **right** side

Cover

#### Colour of the cover:

G = grey  
1 = white  
9 = nickel-pl.

#### Packing

Boxes 12 pcs.



### FR2SXXXXSNX

Lifting system - **left** side

Cover

#### Colour of the cover:

G = grey  
1 = white  
9 = nickel-pl.

#### Packing

Boxes 12 pcs.

### To be ordered separately:

#### C2\_6A99



Hinge for door.

See page 15 to complete the part number with the available fixing systems.

#### Packing

Boxes 300 pcs.

#### BAPGR39



Mounting plate for the top of the wall cabinet.

Mounting plate for door.

#### Packing

Boxes 300 pcs.

#### FLMGSE XXX ← Fill with the required piston strength



Gas piston.

See page 20 and 22 to complete the part number with the appropriate piston strength.

#### Packing

Boxes 12 pcs.

#### D00SSNG



Smove

For doors of small weight and dimensions.

#### Packing

Boxes 250 pcs.

#### FLMGRE XXX ← Fill with the required piston strength



Progressive gas piston.

See page 21 and 23 to complete the part number with the appropriate piston strength.

#### Packing

Boxes 12 pcs.

#### D00FSNG



Smove

For doors of middle weight and dimensions.

#### Packing

Boxes 250 pcs.

#### D00LSNG



Smove

For doors of large weight and dimensions.

#### Packing

Boxes 250 pcs.





## Components of the system for alu-framed door0



### FR2DXXXXSNX

Lifting system - **right** side

Cover

#### Colour of the cover:

G = grey  
1 = white  
9 = nickel-pl.

#### Packing

Boxes 12 pcs.



### FR2SXXXXSNX

Lifting system - **left** side

Cover

#### Colour of the cover:

G = grey  
1 = white  
9 = nickel-pl.

#### Packing

Boxes 12 pcs.

### To be ordered separately:

#### C2Z6A99

Hinge for door



#### Packing

Boxes 150 pcs.

#### BAP\_R39



#### BAPGR39

Mounting plate for the top of the wall cabinet.

#### BAP3R39

Mounting plate for door.

#### Packing

Boxes 300 pcs.

#### FLMGSE XXX ← Fill with the required piston strength



Gas piston.  
See page 20 and 22 to complete the part number with the appropriate piston strength.

#### Packing

Boxes 12 pcs.

#### D00SSNG



Smove

For doors of small weight and dimensions.

#### Packing

Boxes 250 pcs.

#### FLMGRE XXX ← Fill with the required piston strength



Progressive gas piston.  
See page 21 and 23 to complete the part number with the appropriate piston strength.

#### Packing

Boxes 12 pcs.

#### D00FSNG



Smove

For doors of middle weight and dimensions.

#### Packing

Boxes 250 pcs.

#### DLZXBH9

Support for plate with fixing screws.



#### Packing

Boxes 150 pcs.

#### D00LSNG



Smove

For doors of large weight and dimensions.

#### Packing

Boxes 250 pcs.

# Lift - Opening systems - Flap door



## Components of the system for wooden door with Push opening



### FR2DXXXXSNX

Lifting system - **right** side

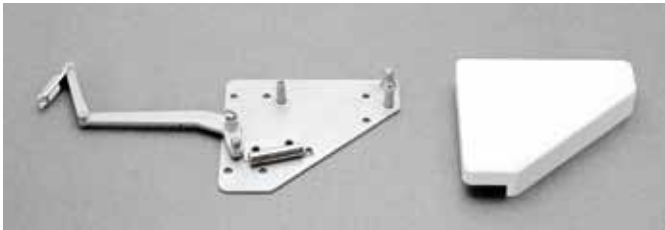
Cover

#### Colour of the cover:

G = grey  
1 = white  
9 = nickel-pl.

#### Packing

Boxes 12 pcs.



### FR2SXXXXSNX

Lifting system - **left** side

Cover

#### Colour of the cover:

G = grey  
1 = white  
9 = nickel-pl.

#### Packing

Boxes 12 pcs.

### To be ordered separately:

#### C2\_PA99



Hinge for door.  
See page 15 to complete the part number with the available fixing systems.

#### Packing

Boxes 300 pcs.

#### BAPGR39



Mounting plate for the top of the wall cabinet.  
Mounting plate for door.

#### Packing

Boxes 300 pcs.

#### FLMGSE XXX ← Fill with the required piston strength



Gas piston.  
See page 20 and 22 to complete the part number with the appropriate piston strength.

#### Packing

Boxes 12 pcs.

#### DO0PSNA



Smove

#### Packing

Boxes 250 pcs.

#### FLMGRE XXX ← Fill with the required piston strength



Progressive gas piston.  
See page 21 and 23 to complete the part number with the appropriate piston strength.

#### Packing

Boxes 12 pcs.



## Components of the system for alu-framed door with Push opening



**FR2DXXXXSNX**  
Lifting system - **right** side

Cover

**Colour of the cover:**

G = grey  
1 = white  
9 = nickel-pl.

**Packing**  
Boxes 12 pcs.



**FR2SXXXXSNX**  
Lifting system - **left** side

Cover

**Colour of the cover:**

G = grey  
1 = white  
9 = nickel-pl.

**Packing**  
Boxes 12 pcs.

### To be ordered separately:

**C2ZPA99**

Hinge for door.



**Packing**  
Boxes 150 pcs.

**BAP\_R39**

**BAPGR39**  
Mounting plate for the top of the wall cabinet.

**BAP3R29**  
Mounting plate for door.



**Packing**  
Boxes 300 pcs.

**FLMGSE XXX** ← Fill with the required piston strength

Gas piston.  
See page 20 and 22 to complete the part number with the appropriate piston strength.



**Packing**  
Boxes 12 pcs.

**D00PSNA**

Smove



**Packing**  
Boxes 250 pcs.

**FLMGRE XXX** ← Fill with the required piston strength

Progressive gas piston.  
See page 21 and 23 to complete the part number with the appropriate piston strength.



**Packing**  
Boxes 12 pcs.

**DLZXBH9**

Support for plate with fixing screws.



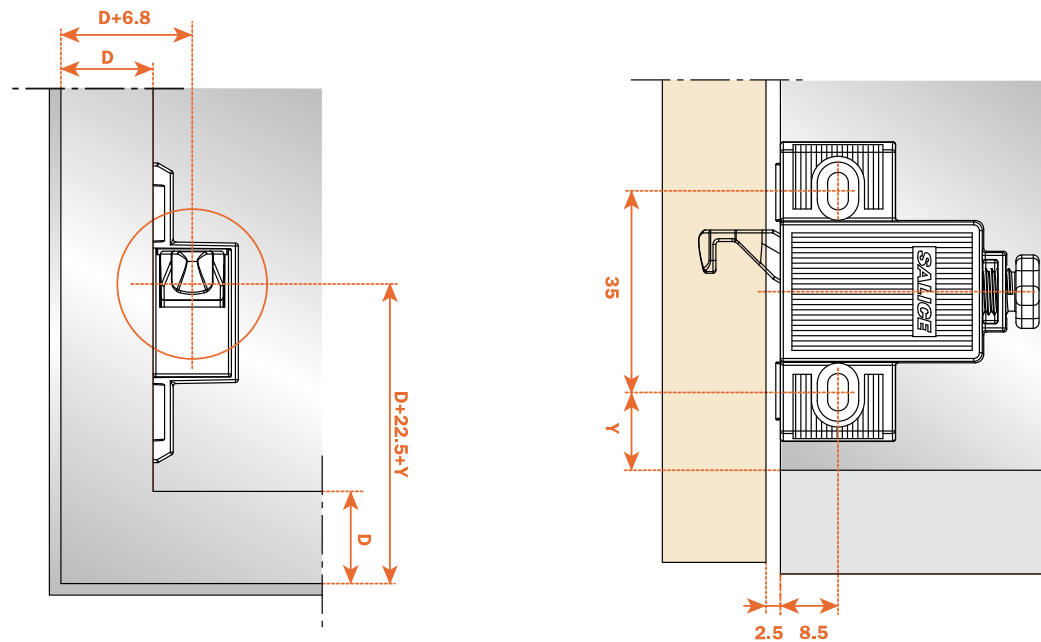
**Packing**  
Boxes 150 pcs.

## Lift - Opening systems - Flap door

The door can be opened with or without a handle. If a handle is used, it can be positioned anywhere on the door. Alternatively, for doors up to 400 mm in height that are not fitted with a handle for aesthetic reasons, the Push self-opening system can be used.

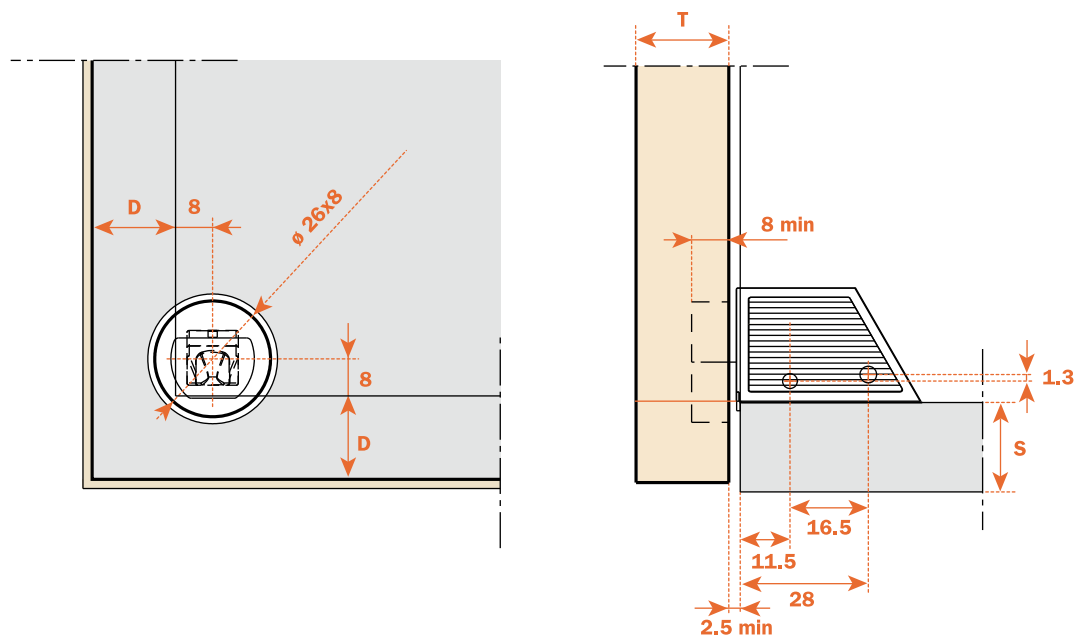


**Push with depth and sideways adjustment**



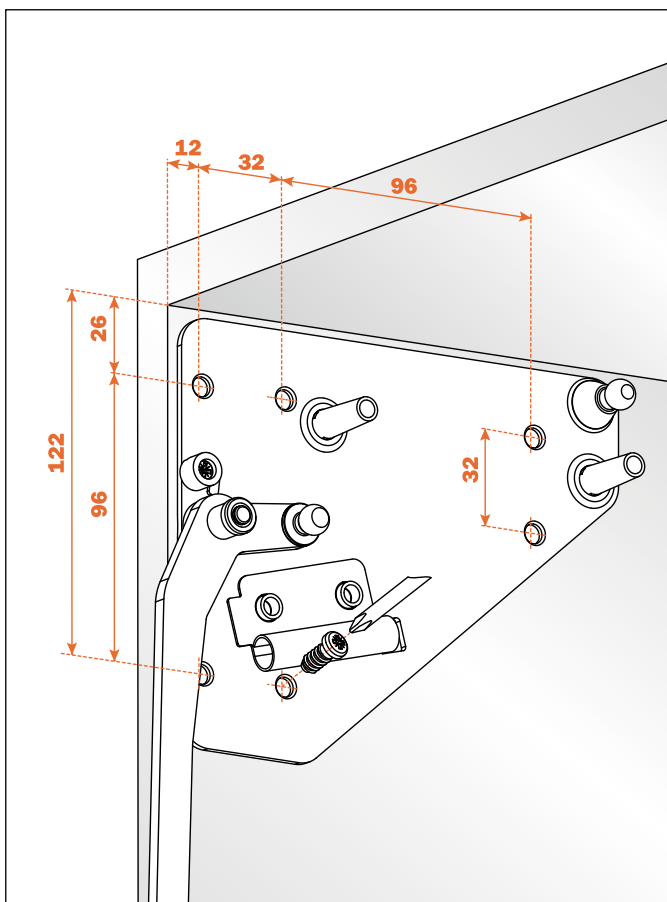
**D = Door overlay on side and base panel of the cabinet**  
**Y = min. 8.5 mm**

**Push without adjustment**



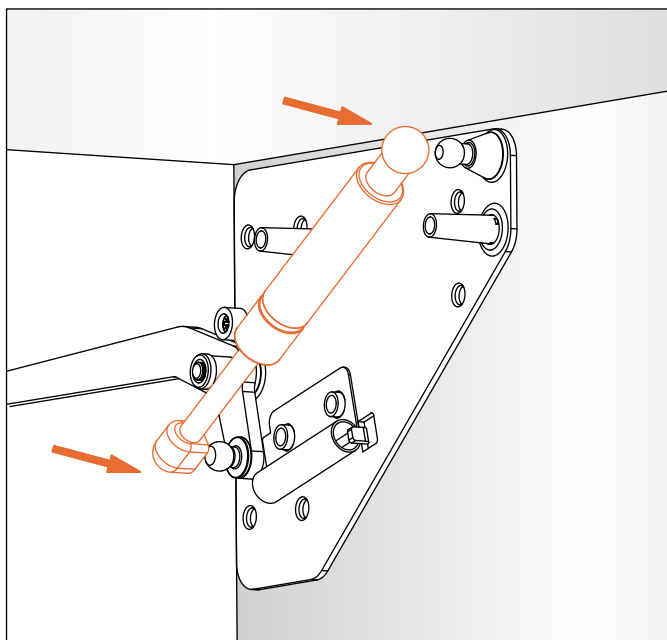
**D = Door overlay on side and base panel of the cabinet**  
**Drilling distance of retaining catch =  $D + 8$**

## Fixing the support to the cabinet side



## Deploying the piston

Carefully press each end of the piston securely onto the pins on the bracket and lifting arm, ensuring that the body of the piston is uppermost.

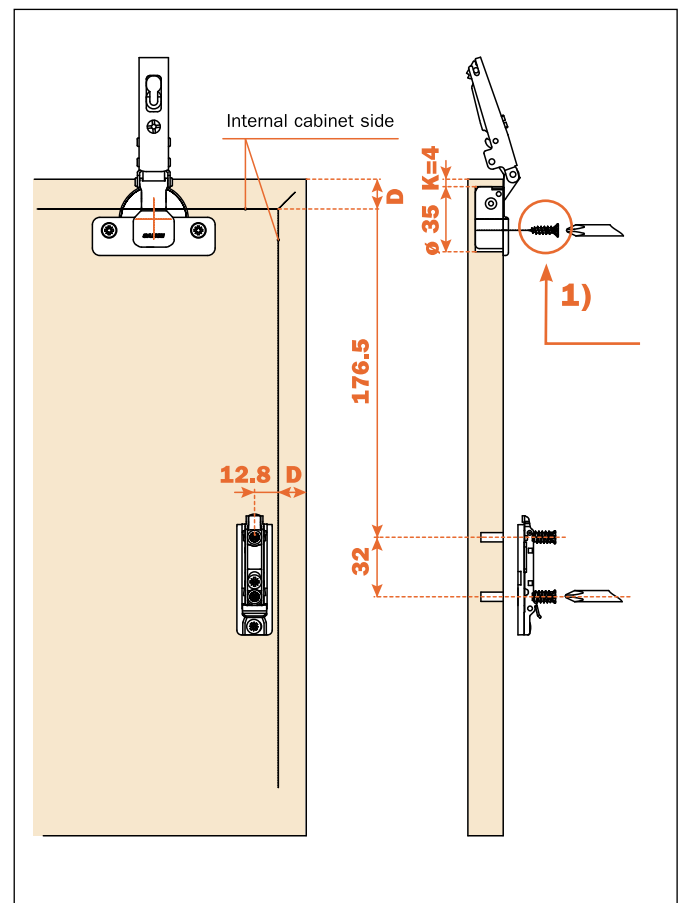


## Drilling pattern for wooden door

### Available fixing systems for the hinge cup:

- A** = wood screw fixing, 48x6 mm drilling
- P** = wood screw fixing, 45x9.5 mm drilling
- U** = wood screw fixing, 52x5.5 mm drilling
- B** = dowel fixing, 48x6 mm drilling
- R** = dowel fixing, 45x9.5 mm drilling
- W** = dowel fixing, 52x5.5 mm drilling
- 6** = Rapido fixing, 48x6 mm drilling
- 7** = Rapido fixing, 45x9.5 mm drilling
- 2** = Rapido fixing, 52x5.5 mm drilling

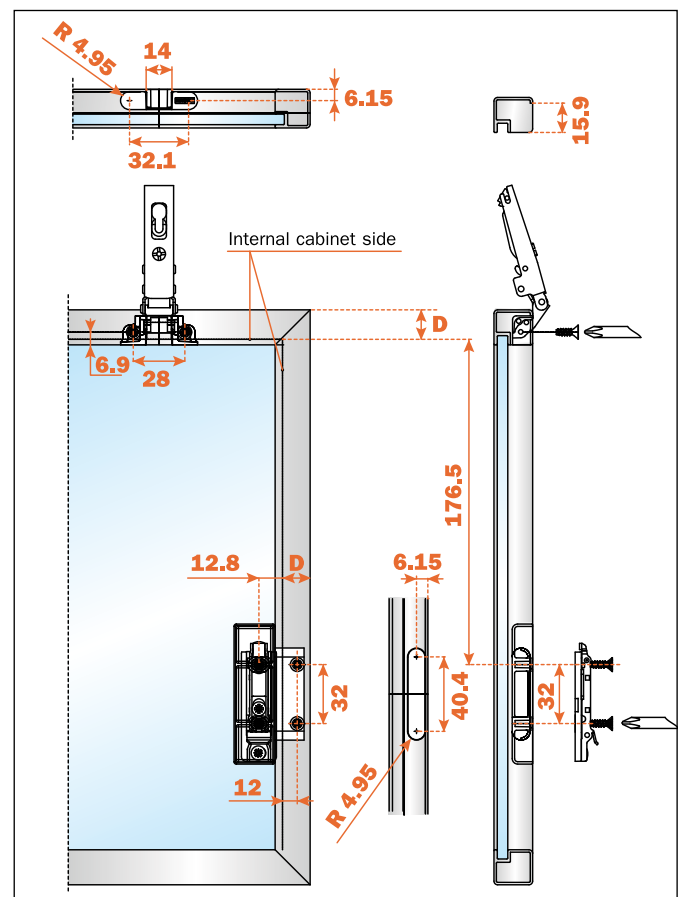
**D** = sideways and upper overlay



## Drilling pattern for alu-framed door - width min. 17 mm, max. 24 mm

For alu-framed door, fix the mounting plate to the appropriate adapter.

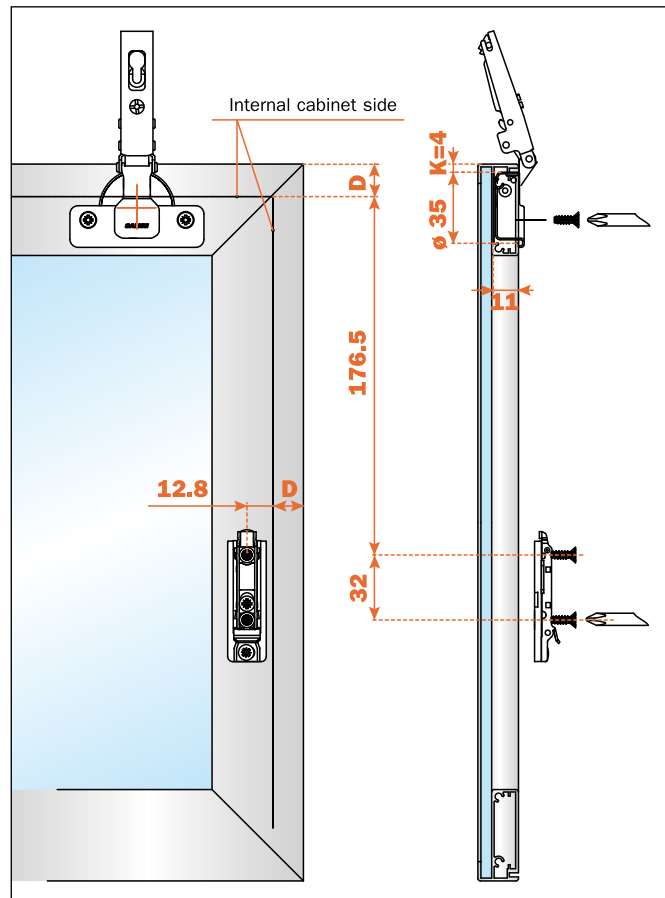
**D** = sideways and upper overlay



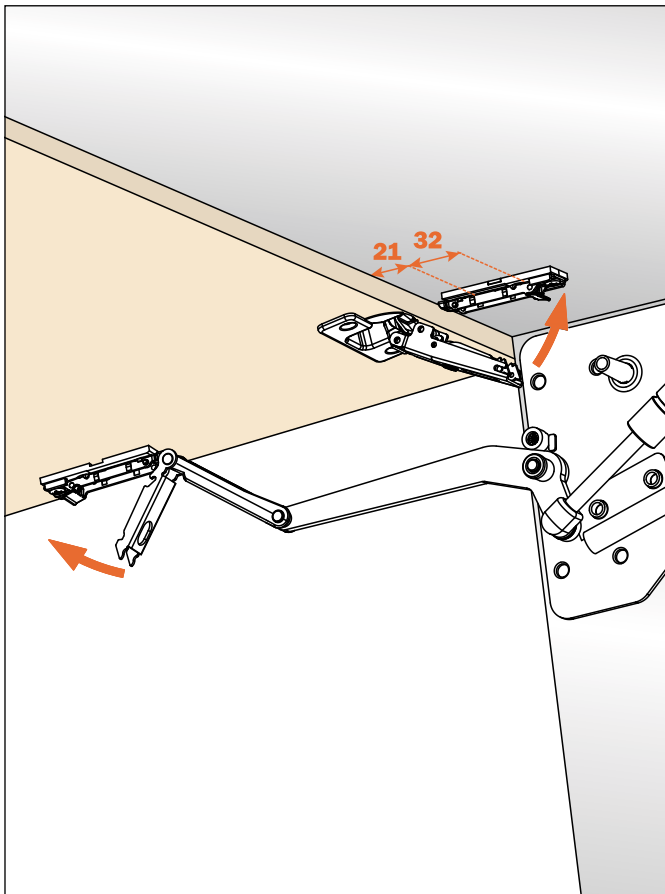
## Drilling pattern for alu-framed door - width min. 45 mm

### Available fixing system for the hinge cup:

- A** = wood screw fixing, 48x6 mm drilling
- P** = wood screw fixing, 45x9.5 mm drilling
- U** = woodscrew fixing, 52x5.5 mm drilling
  
- D** = sideways and upper overlay

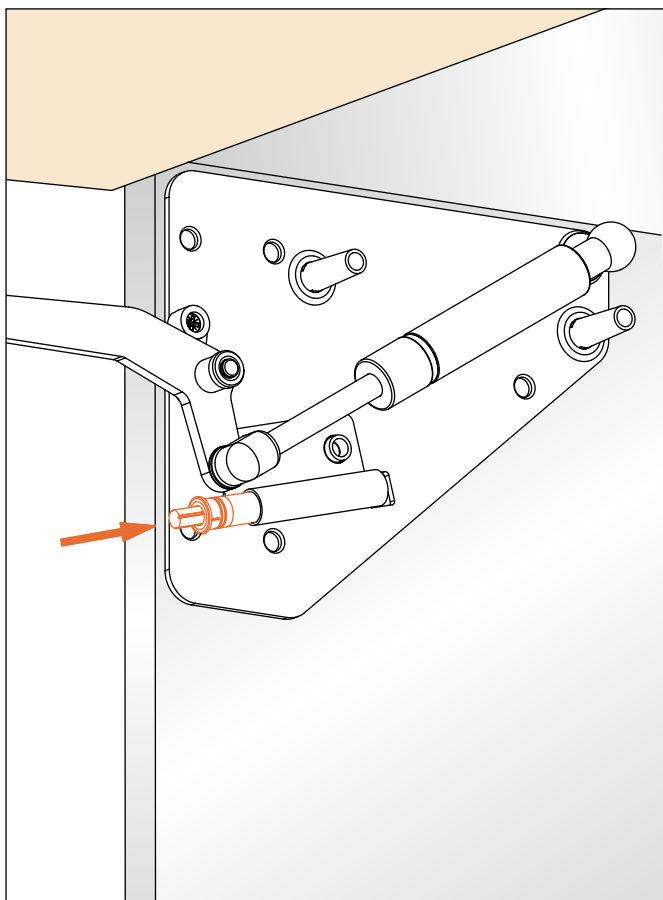


### Fitting the door to the cabinet

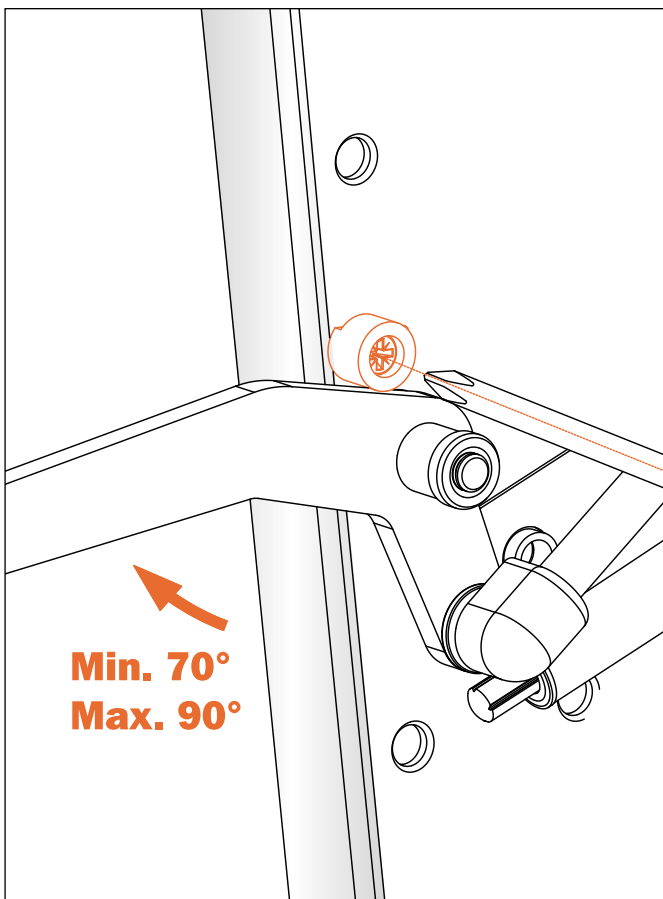




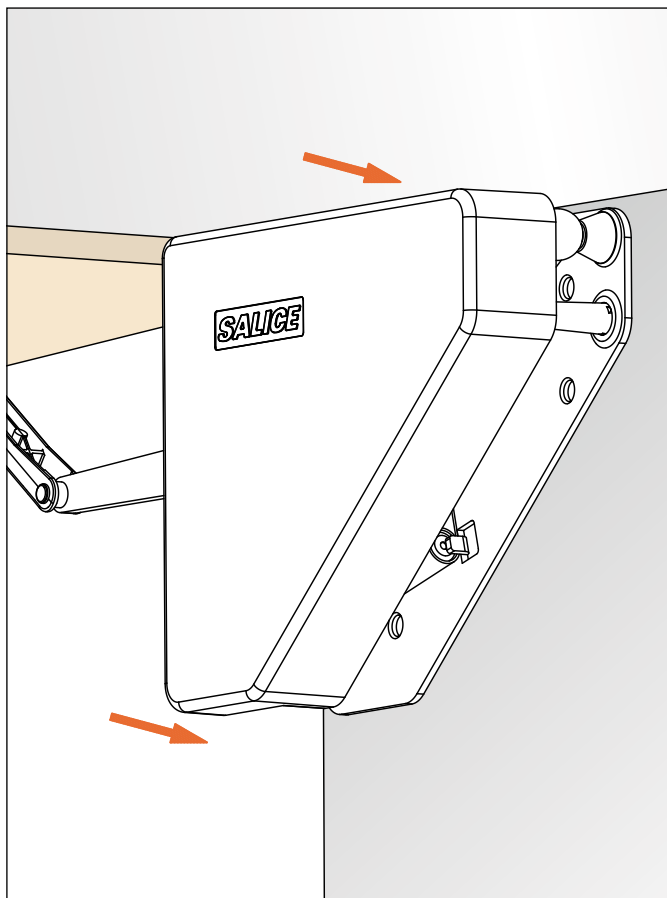
## Installing the Smove



## Adjustment of the opening angle of the door by cam

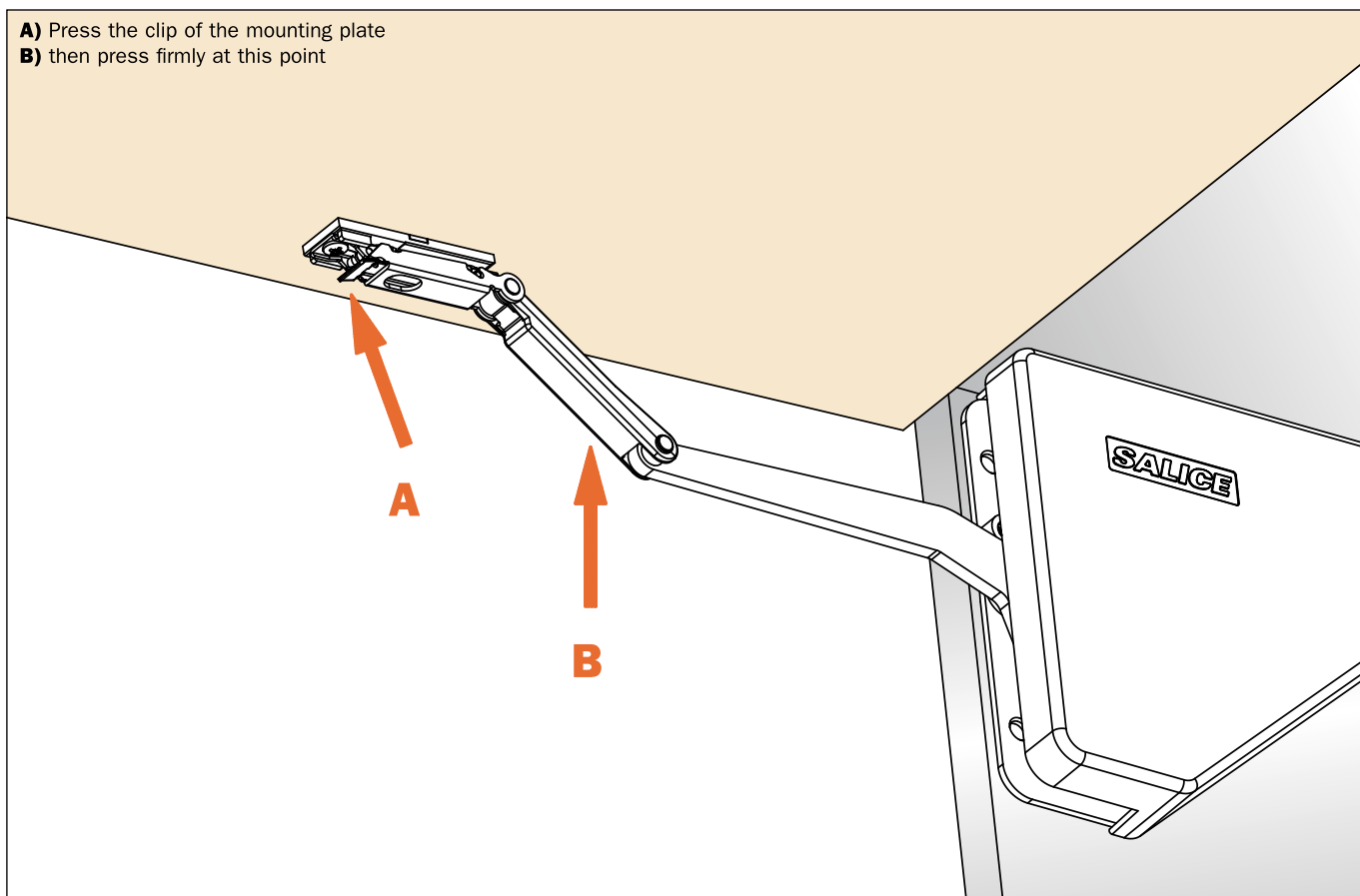


Installing the cover

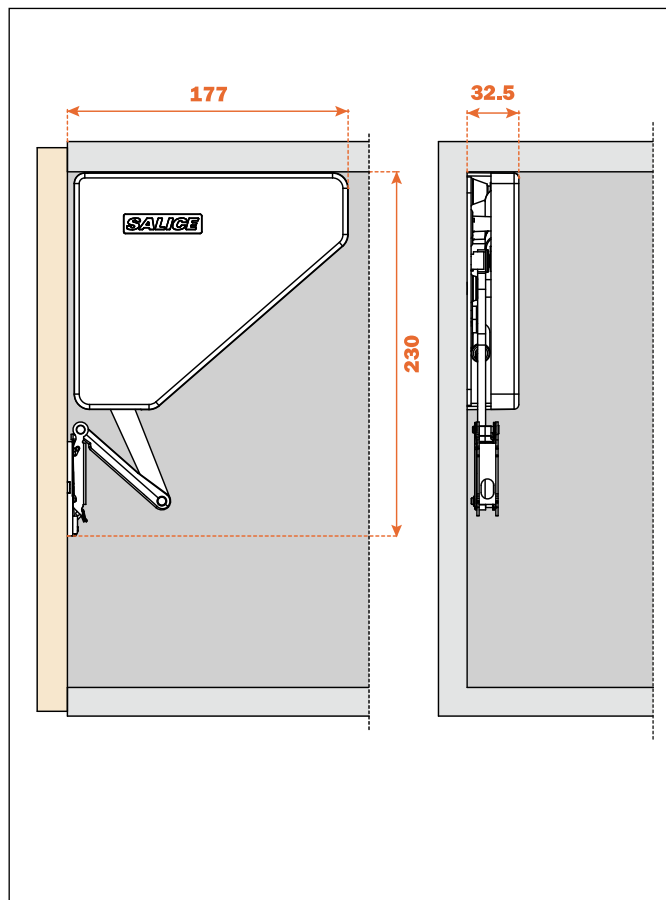


Disassembly

- A) Press the clip of the mounting plate
- B) then press firmly at this point



## Dimensions of the system

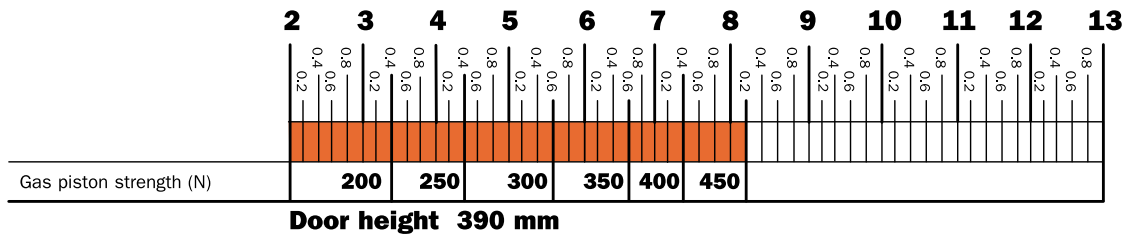
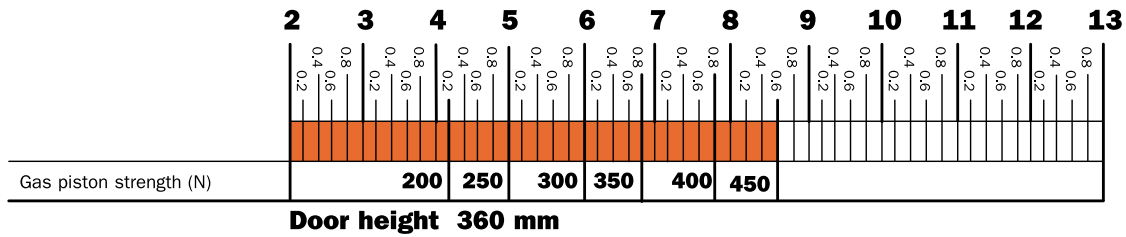
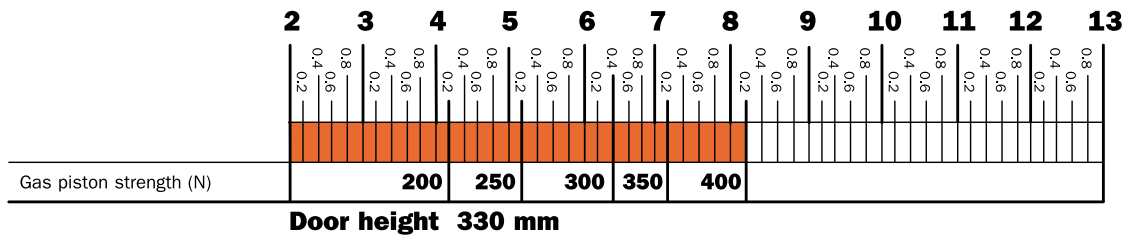
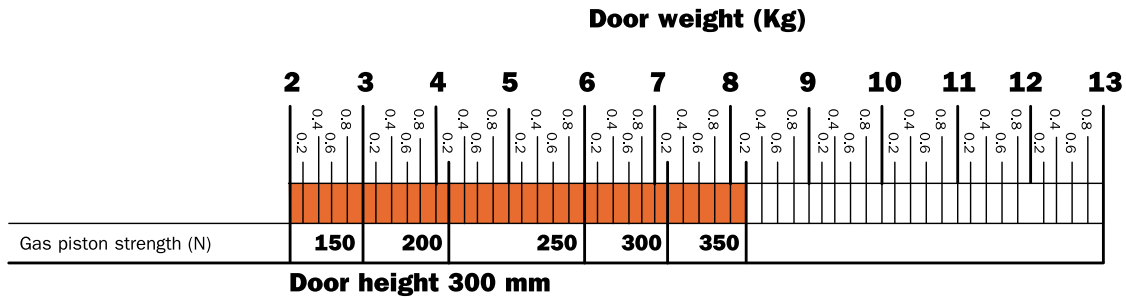


# Lift - Opening systems - Flap door - Gas piston strength

## Chart for FLMGSExxx pistons with single-operation door opening (systems with one piston)

Chart to define the exact strength (N) of the pistons to be used in relationship with the dimensions and weight of the doors.  
It is suggested that some assembly trials are made.  
Our technical Assistance Service is at your disposal for any additional information.

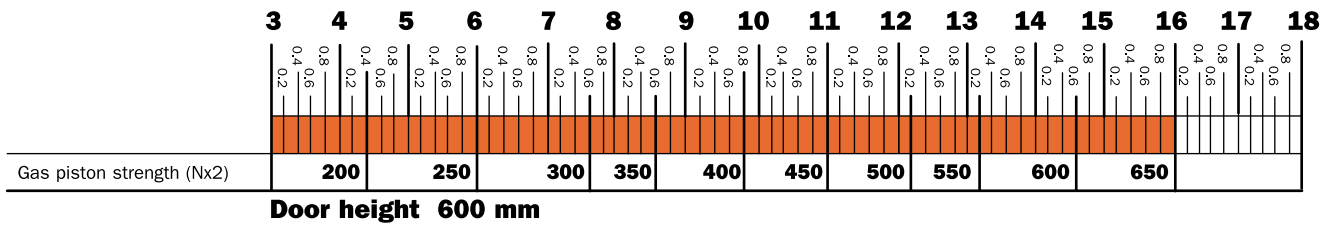
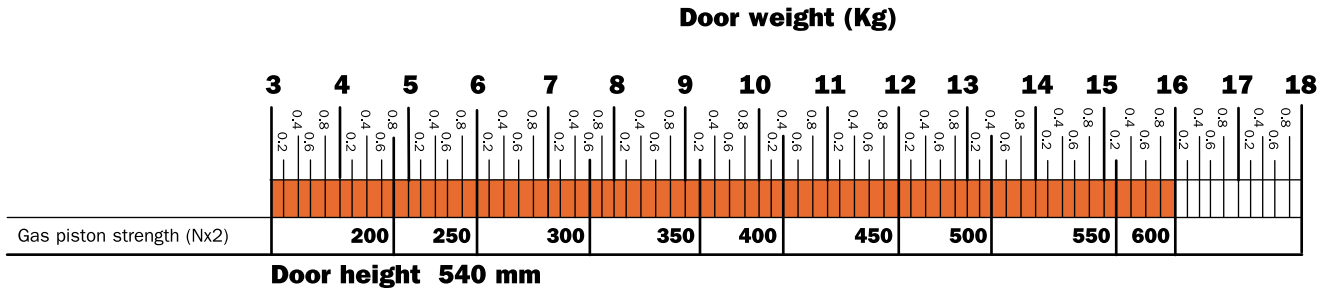
Cabinet width 600, 900 and 1200 mm



**Chart for FLMGSExxx pistons with single-operation door opening (systems with two pistons)**

Chart to define the exact strength (N) of the pistons to be used in relationship with the dimensions and weight of the doors.  
 It is suggested that some assembly trials are made.  
 Our technical Assistance Service is at your disposal for any additional information.

**Cabinet width 600, 900 and 1200 mm**



# Lift - Opening systems - Flap door - Gas piston strength

## Chart for FLMGRExxx piston with progressive-operation door opening (systems with one piston)

Chart to define the exact strength (N) of the pistons to be used in relationship with the dimensions and weight of the doors.  
It is suggested that some assembly trials are made. Our technical Assistance Service is at your disposal for any additional information.

Cabinet width (mm)

**Door weight (Kg)**

	2	3	4	5	6	7	8	9	10	11	12	13
600	0.8 0.4 0.2	0.8 0.4 0.2	0.8 0.4 0.2	0.8 0.4 0.2	0.8 0.4 0.2	0.8 0.4 0.2	0.8 0.4 0.2	0.8 0.4 0.2	0.8 0.4 0.2	0.8 0.4 0.2	0.8 0.4 0.2	0.8 0.4 0.2
900												
1200												
Gas piston strength (N)					150		250		350			

**Door height 300 mm**

	2	3	4	5	6	7	8	9	10	11	12	13
600	0.8 0.4 0.2	0.8 0.4 0.2	0.8 0.4 0.2	0.8 0.4 0.2	0.8 0.4 0.2	0.8 0.4 0.2	0.8 0.4 0.2	0.8 0.4 0.2	0.8 0.4 0.2	0.8 0.4 0.2	0.8 0.4 0.2	0.8 0.4 0.2
900												
1200												
Gas piston strength (N)					150		250			350		

**Door height 330 mm**

	2	3	4	5	6	7	8	9	10	11	12	13
600	0.8 0.4 0.2	0.8 0.4 0.2	0.8 0.4 0.2	0.8 0.4 0.2	0.8 0.4 0.2	0.8 0.4 0.2	0.8 0.4 0.2	0.8 0.4 0.2	0.8 0.4 0.2	0.8 0.4 0.2	0.8 0.4 0.2	0.8 0.4 0.2
900												
1200												
Gas piston strength (N)					150		250				350	

**Door height 360 mm**

	2	3	4	5	6	7	8	9	10	11	12	13
600	0.8 0.4 0.2	0.8 0.4 0.2	0.8 0.4 0.2	0.8 0.4 0.2	0.8 0.4 0.2	0.8 0.4 0.2	0.8 0.4 0.2	0.8 0.4 0.2	0.8 0.4 0.2	0.8 0.4 0.2	0.8 0.4 0.2	0.8 0.4 0.2
900												
1200												
Gas piston strength (N)					150	250					350	

**Door height 390 mm**

	2	3	4	5	6	7	8	9	10	11	12	13
600	0.8 0.4 0.2	0.8 0.4 0.2	0.8 0.4 0.2	0.8 0.4 0.2	0.8 0.4 0.2	0.8 0.4 0.2	0.8 0.4 0.2	0.8 0.4 0.2	0.8 0.4 0.2	0.8 0.4 0.2	0.8 0.4 0.2	0.8 0.4 0.2
900												
1200												
Gas piston strength (N)				150	250	350	450	550				

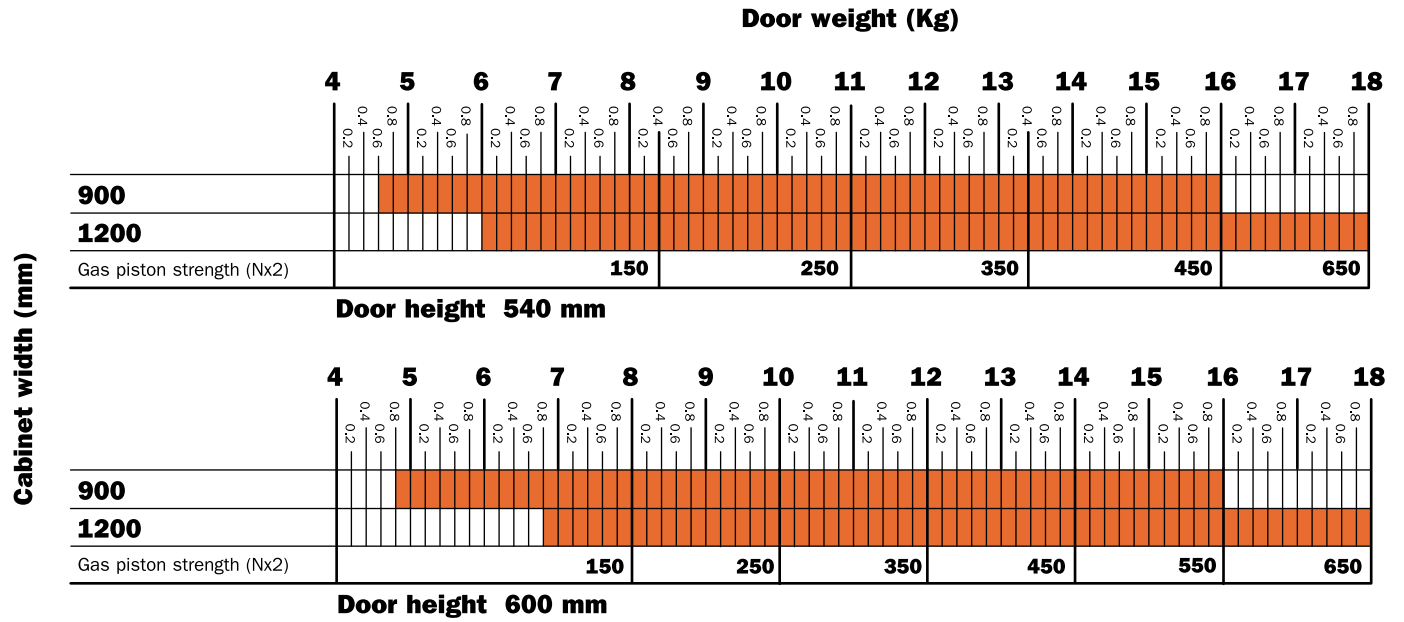
**Door height 540 mm**

	2	3	4	5	6	7	8	9	10	11	12	13
600	0.8 0.4 0.2	0.8 0.4 0.2	0.8 0.4 0.2	0.8 0.4 0.2	0.8 0.4 0.2	0.8 0.4 0.2	0.8 0.4 0.2	0.8 0.4 0.2	0.8 0.4 0.2	0.8 0.4 0.2	0.8 0.4 0.2	0.8 0.4 0.2
900												
1200												
Gas piston strength (N)				150	250	350	450	550	650			

**Door height 600 mm**

### Chart for FLMGRExxx piston with progressive-operation door opening (system with two pistons)

Chart to define the exact strength (N) of the pistons to be used in relationship with the dimensions and weight of the doors.  
It is suggested that some assembly trials are made.  
Our technical Assistance Service is at your disposal for any additional information.



## Lift - Opening systems - Folding door

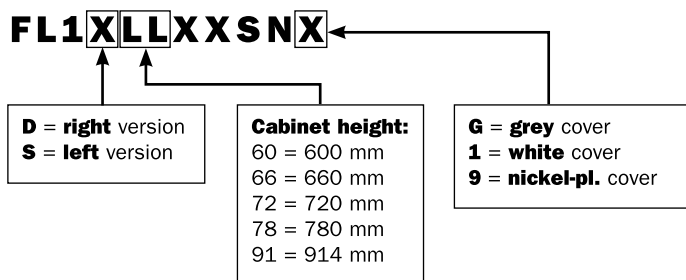






## Part number composition

- F** = Lifting system
- L1** = Folding door opening
- D/S** = Right or left versions
- LL** = Cabinet height
- XX** = Special options
- SN** = Cover with Salice logo / **99** = Cover with arrangement for screw cover cap
- X** = Colour of the cover
- X1** = Cover with silk-screen printed logo



**FL1XLLXX999**

Part number for Lift system supplied with nickel-plated cover with arrangement for screw cover cap.

Screw cover cap to be ordered separately.



**FL1XLLXX\_ \_9X1**

Part number for Lift system supplied with nickel-plated cover with silk-screen printed logo.



## Components of the system for wooden doors



### FL1DLLXSNX

Lifting system - **right** side

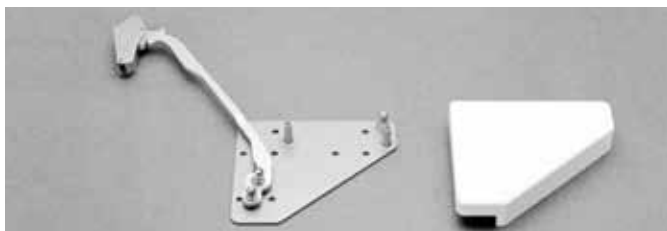
Cover

#### Colour of the cover:

G = grey  
1 = white  
9 = nickel-pl.

#### Packing

Boxes 12 pcs.



### FL1SLXSNX

Lifting system - **left** side

Cover

#### Colour of the cover:

G = grey  
1 = white  
9 = nickel-pl.

#### Packing

Boxes 12 pcs.

### To be ordered separately:

#### C2\_6A99



Hinge for door.  
See page 32 to complete the part number with the available fixing systems.

#### Packing

Boxes 300 pcs.

#### BAPGR39



Mounting plate for the top of the wall cabinet.  
Mounting plate for door.

#### Packing

Boxes 300 pcs.

#### FLMGSE **XXX** ← Fill with the required piston strength



Gas piston.  
See page 38 to complete the part number with the appropriate piston strength.

#### Packing

Boxes 12 pcs.

#### D00SSNG



Smove  
For doors of small weight and dimensions.

#### Packing

Boxes 250 pcs.

#### FLMGRE **XXX** ← Fill with the required piston strength



Progressive gas piston.  
See page 39 to complete the part number with the appropriate piston strength.

#### Packing

Boxes 12 pcs.

#### D00FSNG



Smove  
For doors of middle weight and dimensions.

#### Packing

Boxes 250 pcs.

#### FLC\_E9



Central hinge.  
See page 32 to complete the part number with the available fixing systems.

#### Packing

Boxes 150 pcs.

#### D00LSNG



Smove  
For doors of large weight and dimensions.

#### Packing

Boxes 250 pcs.

#### FLC\_E9R

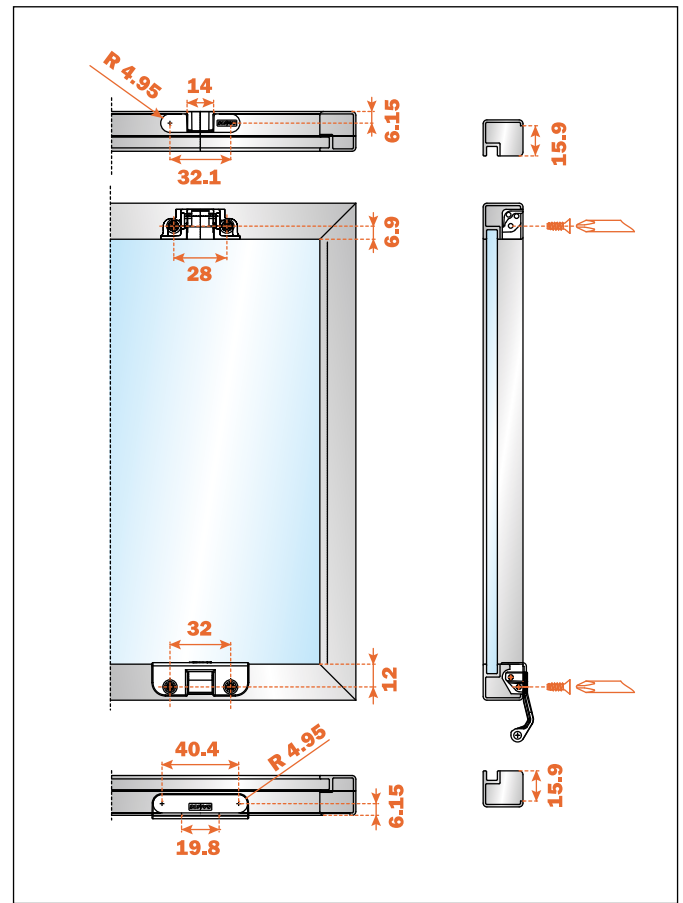
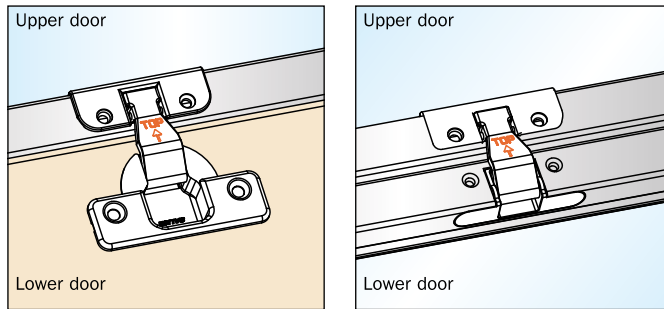


Central hinge with height and sideways adjustment  $\pm 1.5$  mm.  
See page 32 to complete the part number with the available fixing systems.

#### Packing

Boxes 150 pcs.

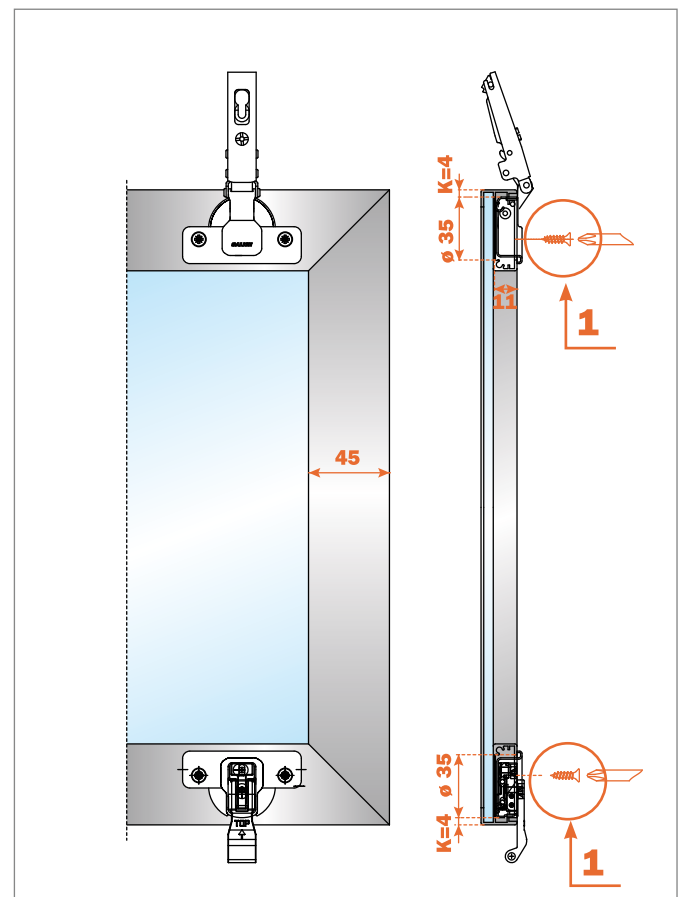
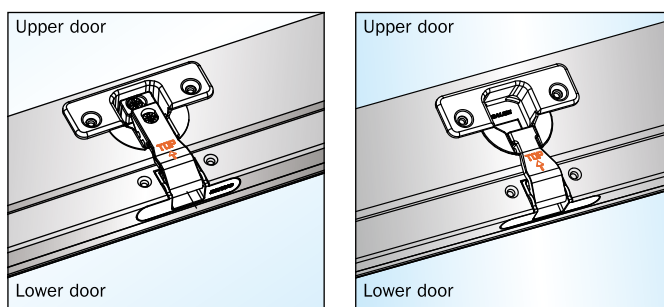
**Drilling pattern for the upper alu-framed door - width min. 17 mm, max. 24 mm**



**Drilling pattern for the upper alu-framed door - width min. 45 mm**

**Available fixing systems for the hinge cup:**

- A** = woodscrew fixing, 48x6 mm drilling
- P** = woodscrew fixing, 45x9.5 mm drilling
- U** = woodscrew fixing, 52x5.5 mm drilling

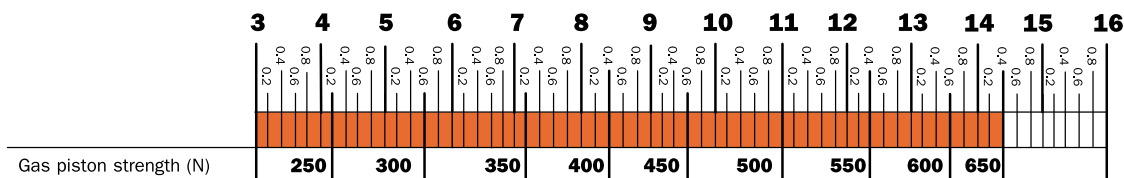


## Chart for FLMGSExxx pistons with single-operation door opening

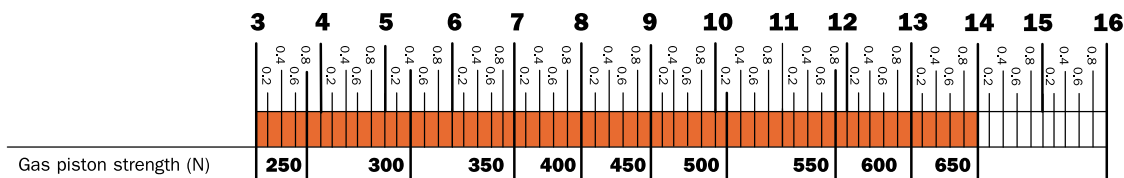
Chart to define the exact strength of the pistons to be used in relationship with the dimensions and weight of the doors.  
It is suggested that some assembly trials are made. Our technical assistance service is at your disposal for any additional information.  
For wall cabinet width 600 mm, it is possible to use one system only, right or left version.

Cabinet width 600, 900 and 1200 mm

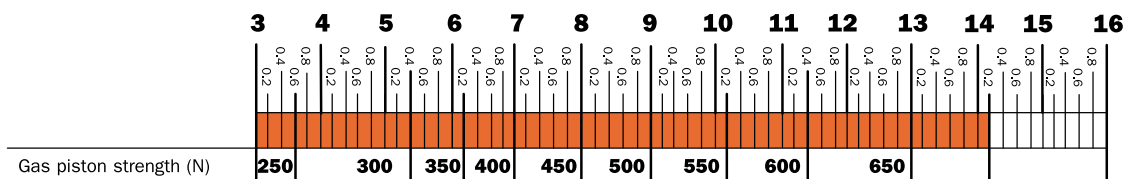
**Weight of the two doors (Kg)**



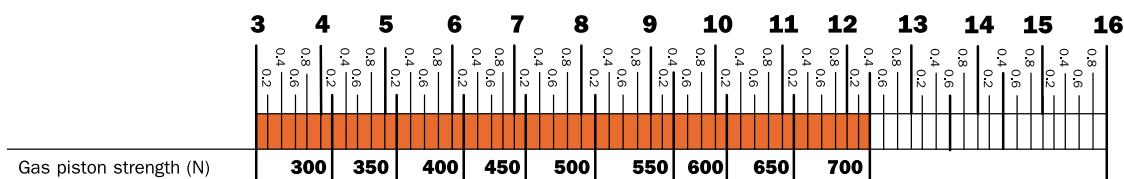
**Total height of the two doors 600 mm**



**Total height of the two doors 660 mm**



**Total height of the two doors 720 mm**



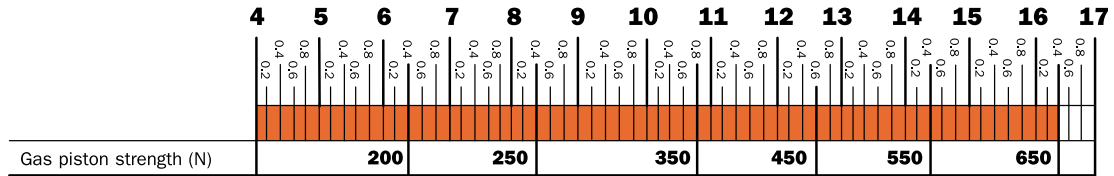
**Total height of the two doors 780 mm**

### Chart for FLMGRExxx pistons with progressive-operation door opening

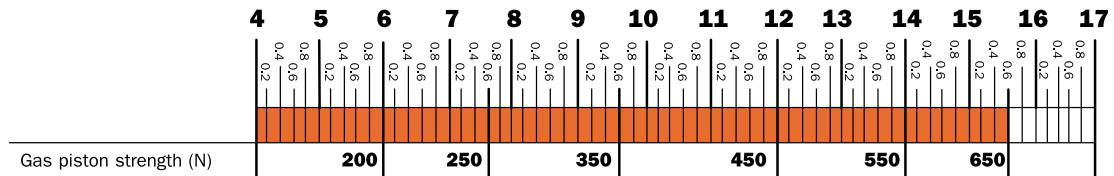
Chart to define the exact strength of the pistons to be used in relationship with the dimensions and weight of the doors.  
It is suggested that some assembly trials are made. Our technical assistance service is at your disposal for any additional information.  
For wall cabinet width 600 mm, it is possible to use one system only, right or left version.

Cabinet width 600, 900 and 1200 mm

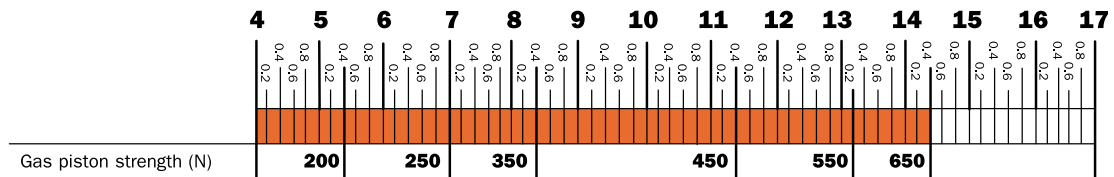
#### Weight of the two doors (Kg)



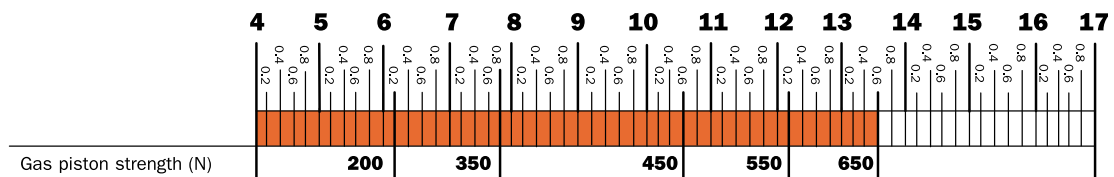
Total height of the two doors 600 mm



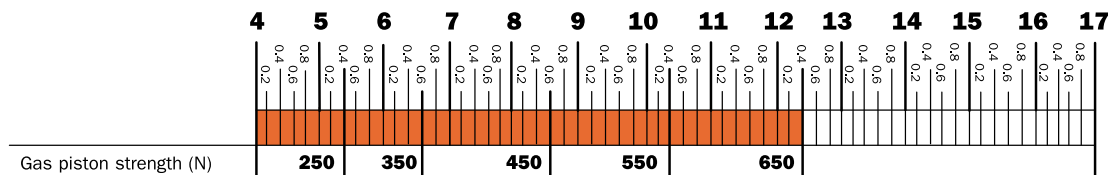
Total height of the two doors 660 mm



Total height of the two doors 720 mm



Total height of the two doors 780 mm



Total height of the two doors 910 mm

## **Lift - Opening systems - Parallel opening door**



**Lift - Opening systems - Parallel opening door**  
**For doors from 360 mm to 440 mm height**





## Part number composition

**F** = Lifting system

**P** = Parallel opening door

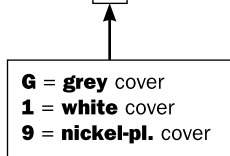
**XXXXXX** = Special options

**SN** = Cover with Salice logo / **99** = Cover with arrangement for screw cover cap

**X** = Colour of the cover

**X1** = Cover with silk-screen printed log

**FPXXXXXS<sup>X</sup>SN<sup>X</sup>**



**FPXXXXX999**

Part number for Lift system supplied with nickel-plated cover with arrangement for screw cover cap.

Screw cover cap to be ordered separately.



**FPXXXXX\_ \_9X1**

Part number for Lift system supplied with nickel-plated cover with silk-screen printed logo.



# Lift - Opening systems - Parallel opening door

## For doors from 360 mm to 440 mm height



### Components of the system for wooden door



#### FPXXXXXSX

Lifting system - **right** side

Lifting system - **left** side

Cover

#### Colour of the cover:

G = grey  
1 = white  
9 = nickel-pl.

#### Packing

Boxes 6 pairs

### To be ordered separately:

#### BAPGR39

Mounting plate for door



#### Packing

Boxes 300 pcs.

#### D00SSNG

For doors of small weight and dimensions.



#### Packing

Boxes 250 pcs.

#### FLMGSE **XXX** ← Fill with the required piston strength



Gas piston.  
See page 57 to complete the part number with the appropriate piston strength.

#### Packing

Boxes 12 pcs.

#### D00FSNG

Smove

For doors of middle weight and dimensions.



#### Packing

Boxes 250 pcs.

#### FLMGRE **XXX** ← Fill with the required piston strength



Progressive gas piston.  
See page 57 to complete the part number with the appropriate piston strength.

#### Packing

Boxes 12 pcs.

#### D00LSNG

Smove

For doors of large weight and dimensions.



#### Packing

Boxes 250 pcs.

### Stabilizer bar



**FPXX59KX457** for door width 600 mm  
**FPXX59KX757** for door width 900 mm  
**FPXX59K1057** for door width 1200 mm

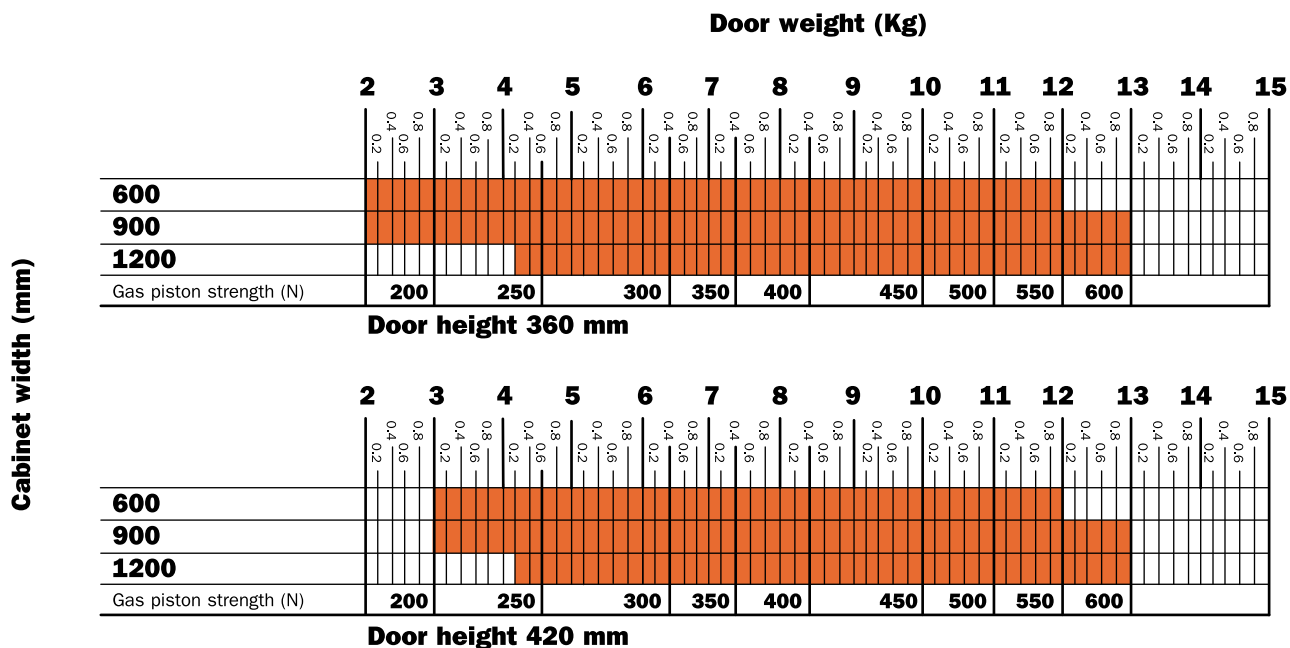
#### Packing

Boxes 6 pcs.

# Gas piston strength

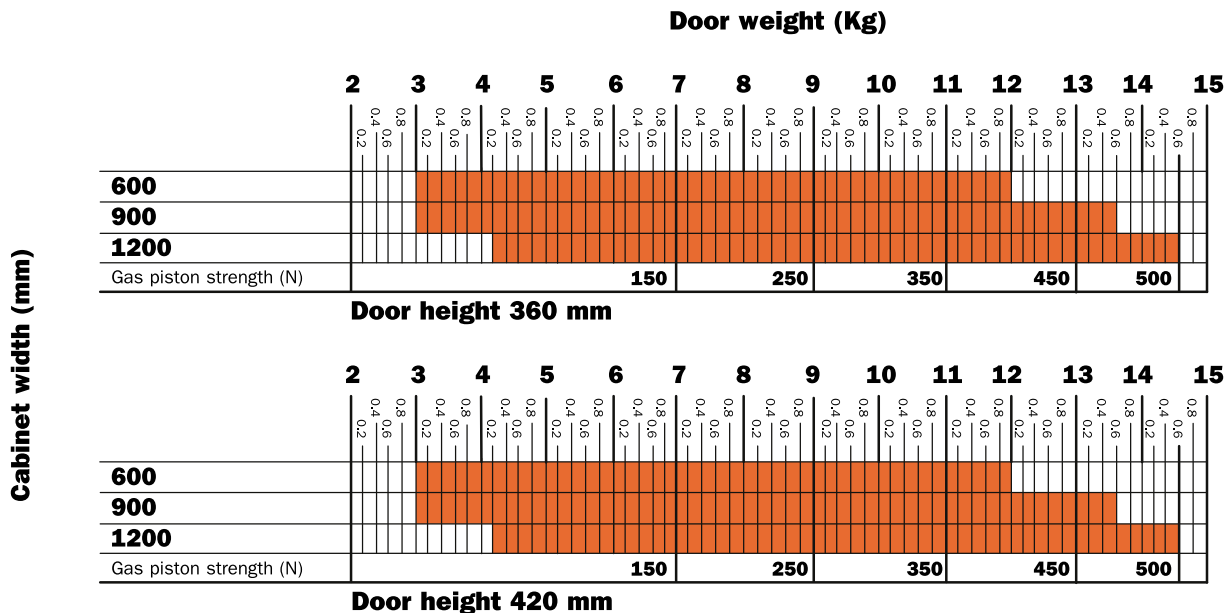
## Chart for FLMGSExxx pistons with single-operation door opening for doors from 360 to 440 mm height

Chart to define the exact strength of the pistons to be used in relationship with the dimensions and weight of the doors.



## Chart for FLMGRExxx pistons with progressive-operation door opening for doors from 360 to 440 mm height

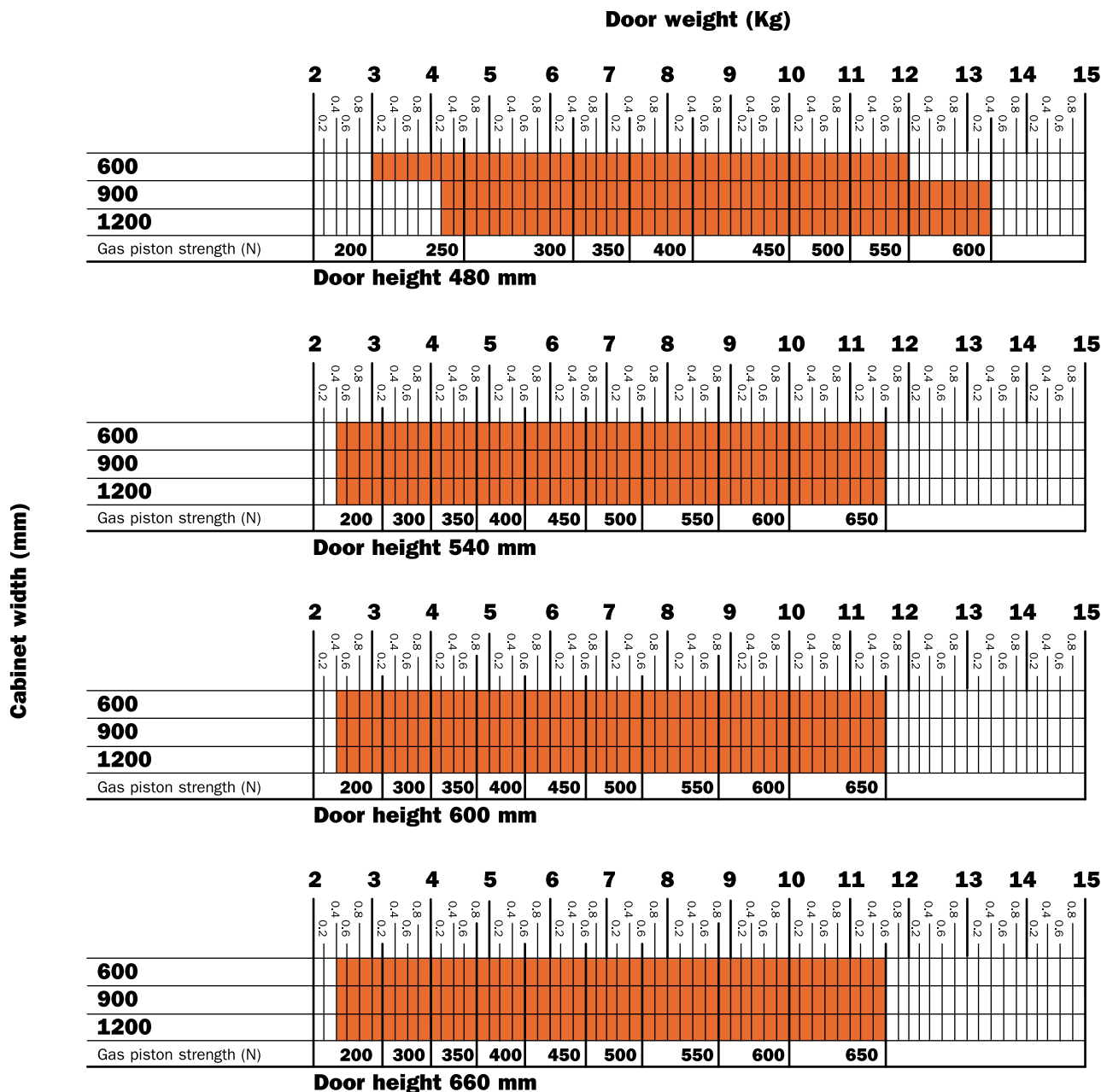
Chart to define the exact strength of the pistons to be used in relationship with the dimensions and weight of the doors.



# Lift - Opening systems - Parallel opening door - Gas piston strength

## Chart for FLMGSExxx pistons with single-operation door opening for doors from 440 to 660 mm height.

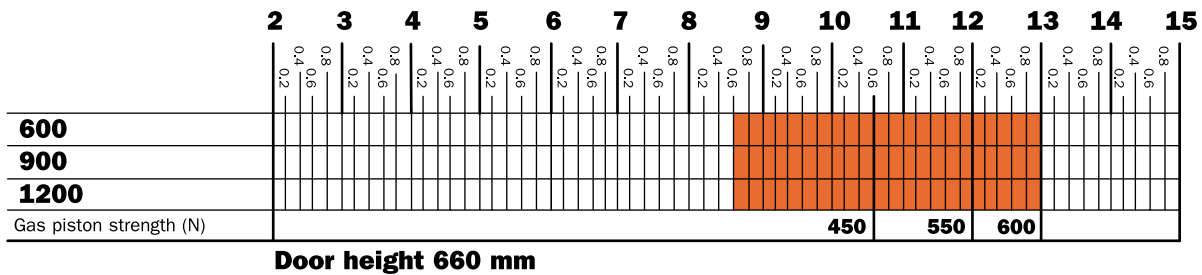
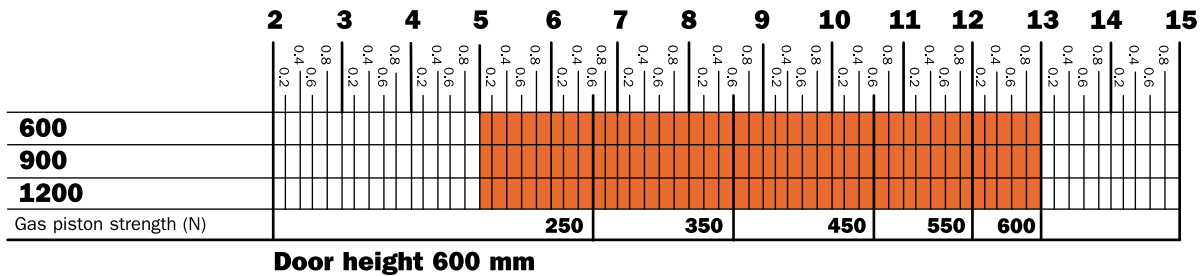
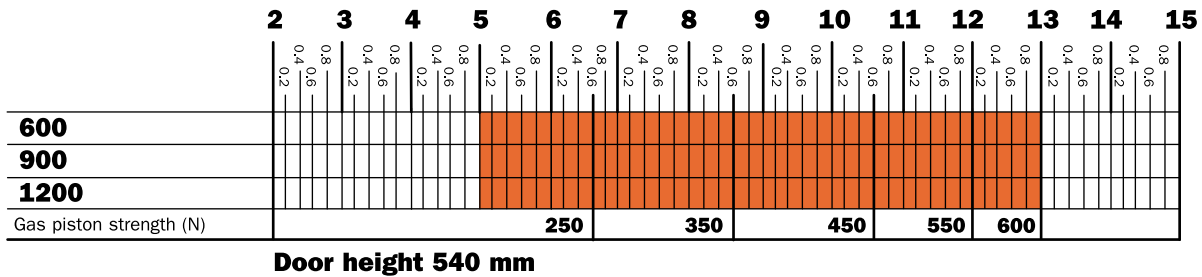
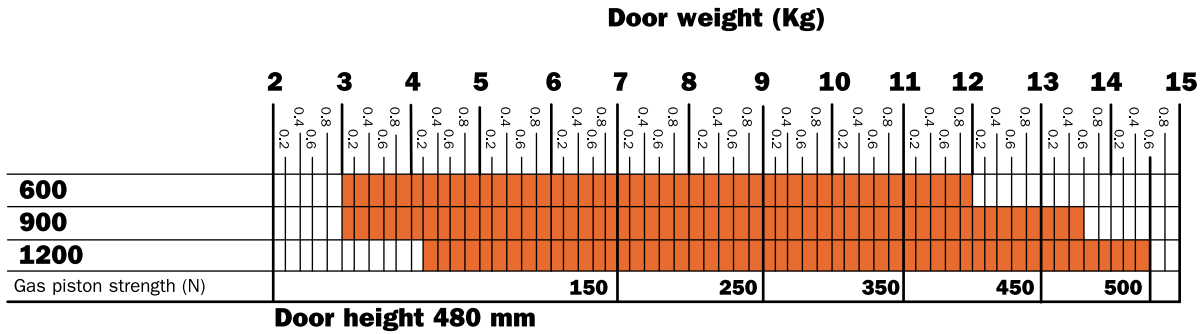
Chart to define the exact strength of the pistons to be used in relationship with the dimensions and weight of the doors.



**Chart for FLMGRExxx pistons with progressive-operation door opening for doors from 440 to 660 mm height.**

Chart to define the exact strength of the pistons to be used in relationship with the dimensions and weight of the doors.

Cabinet width (mm)



**Lift - Opening systems -  
Swing opening door**





## Part number composition

**F** = Lifting system

**B** = Swing opening door

**XXXXXX** = Special options

**SN** = Cover with Salice logo / **99** = Cover with arrangement for screw cover cap

**X** = Colour of the cover

**X1** = Cover with silk-screen printed logo

**FBXXXXXS****N****X**

**G** = grey cover  
**1** = white cover  
**9** = nickel-pl. cover



**FBXXXXX999**

Part number for Lift system supplied with nickel-plated cover with arrangement for screw cover cap.

Screw cover cap to be ordered separately.

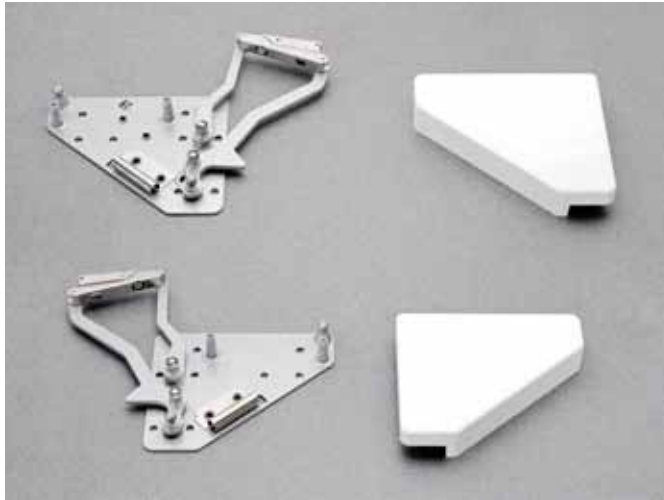


**FBXXXXX\_ \_9X1**

Part number for Lift system supplied with nickel-plated cover with silk-screen printed logo.



## Components of the system for wooden door



### FBXXXXXXSNX

Lifting system - **right** side

Lifting system - **left** side

Cover

#### Colour of the cover:

G = grey  
1 = white  
9 = nickel-pl.

#### Packing

Boxes 6 pairs

### To be ordered separately:

#### BAPGR39

Mounting plate for door



#### Packing

Boxes 300 pcs.

#### D00SSNG

Smove

For doors of small weight and dimensions.



#### Packing

Boxes 250 pcs.

#### FLMGSE [XXX] ← Fill with the required piston strength

Gas piston.  
See page 71 to complete the part number with the appropriate piston strength.



#### Packing

Boxes 12 pcs.

#### D00FSNG

Smove

For doors of middle weight and dimensions.



#### Packing

Boxes 250 pcs.

#### FLMGRE [XXX] ← Fill with the required piston strength

Progressive gas piston.  
See page 72 to complete the part number with the appropriate piston strength.



#### Packing

Boxes 12 pcs.

#### D00LSNG

Smove

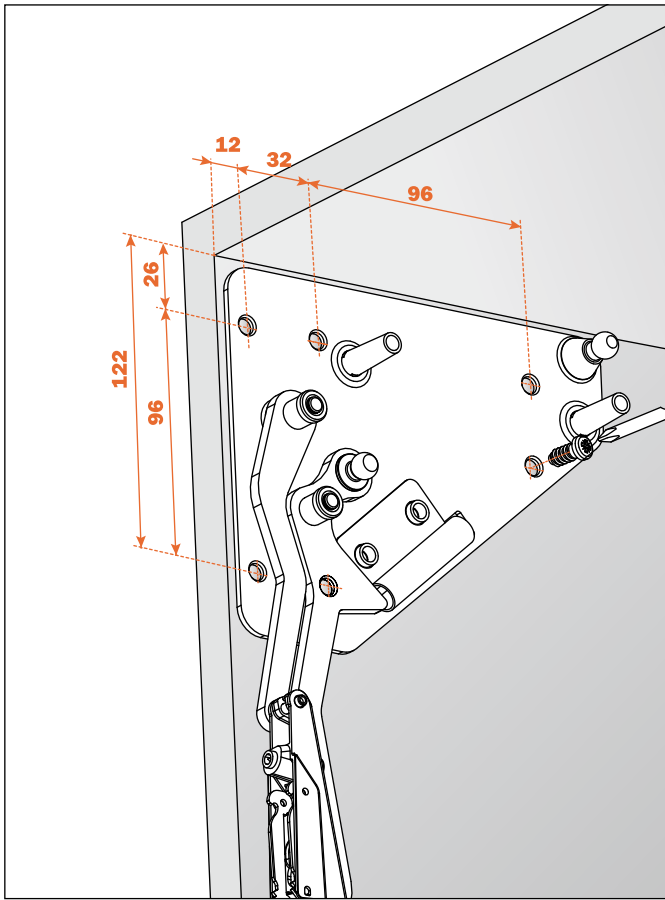
For doors of large weight and dimensions.



#### Packing

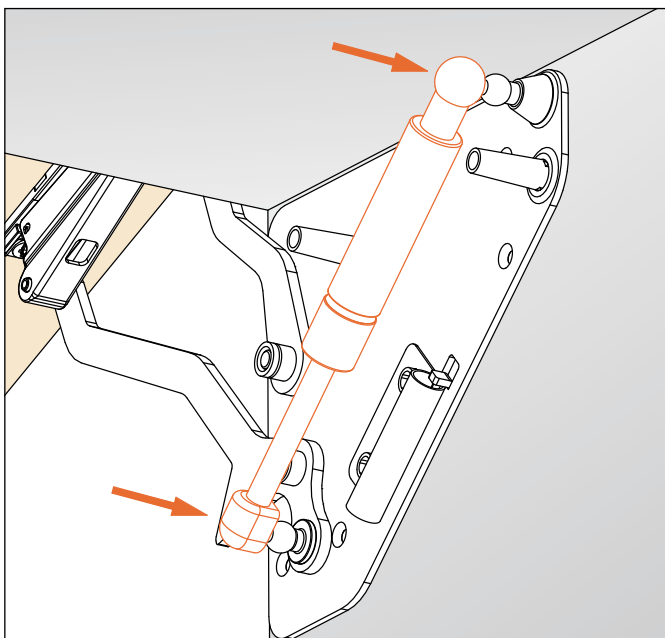
Boxes 250 pcs.

**Fixing the support to the cabinet side**



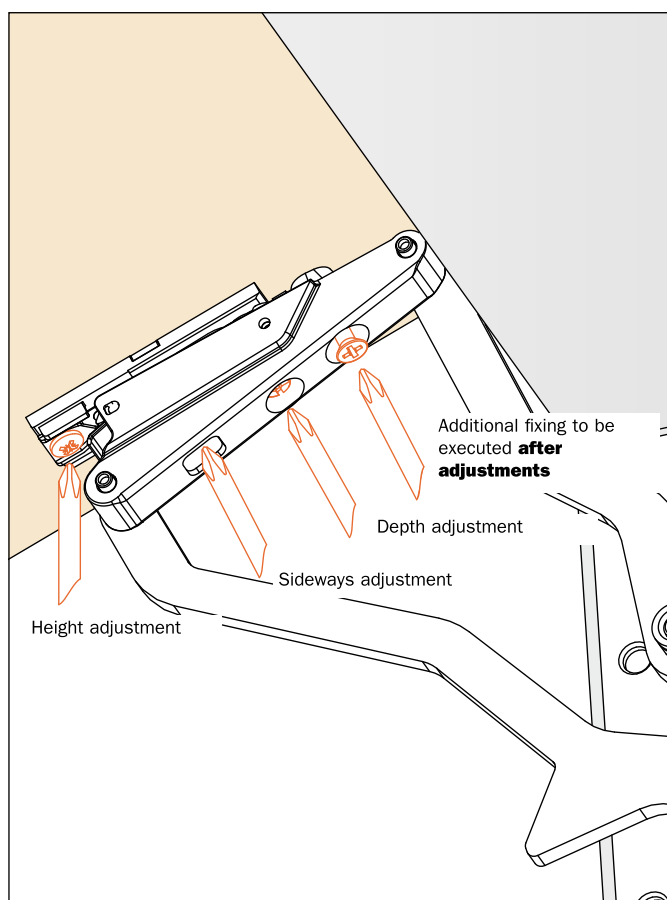
**Deploying the piston**

Carefully press each end of the piston securely onto the pins on the bracket and lifting arm, ensuring that the body of the piston is uppermost.



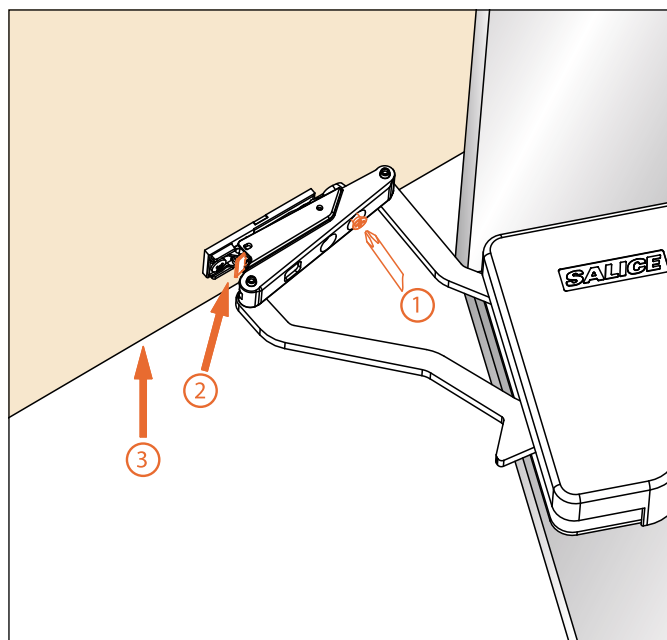


## Adjustments and additional fixing



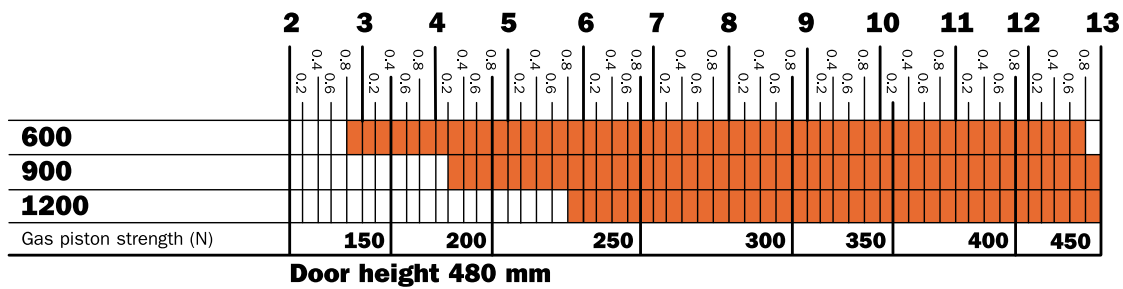
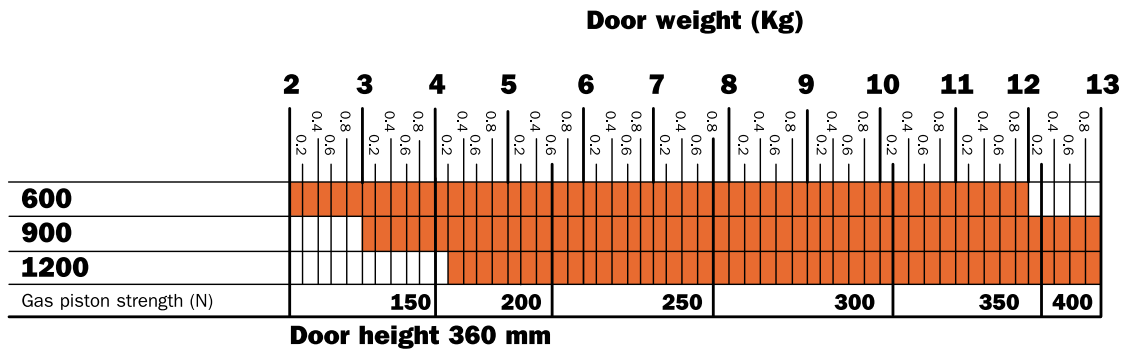
## Disassembly

- 1) Loosen the additional wood screw
- 2) then press firmly on the mounting plate lever
- 3) push the door

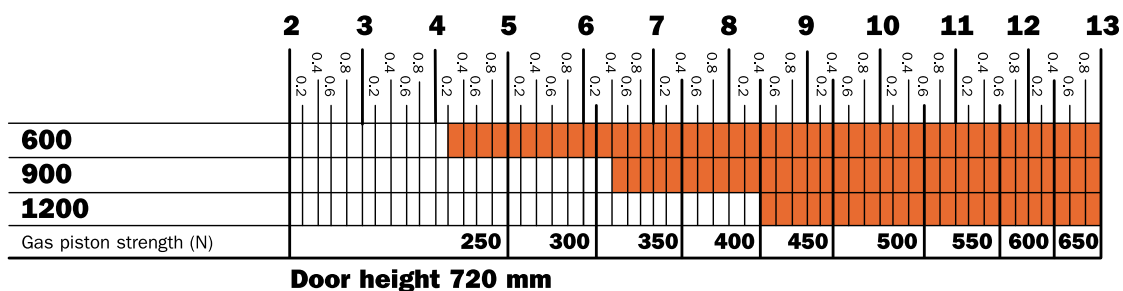
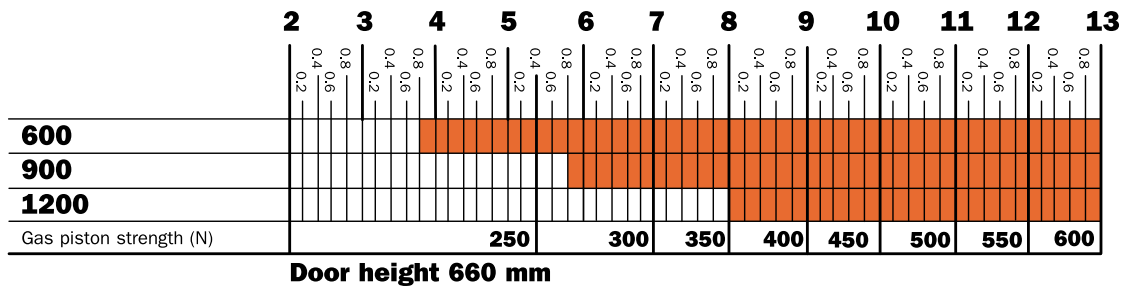
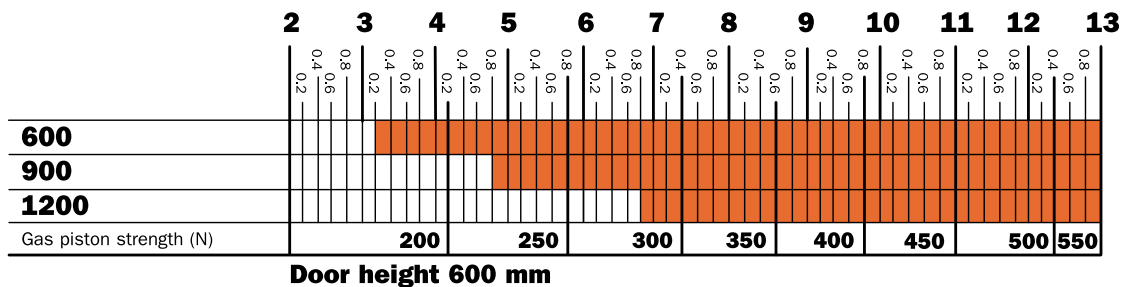


## Chart for FLMGSExxx pistons with single-operation door open

Chart to define the exact strength of the pistons to be used in relationship with the dimensions and weight of the doors.



**Cabinet width (mm)**



## Chart for FLMGRExxx pistons with progressive-operation door opening

Chart to define the exact strength of the pistons to be used in relationship with the dimensions and weight of the doors.

Cabinet width 600, 900 and 1200 mm

